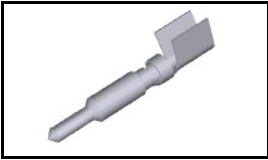


## 770246-3 Product Details

[Share](#) [Print](#) [Email](#)



**770246-3**

TE Internal Number: 770246-3

Active

[View 3D PDF](#)

**.250" Centerline, 600 V, 19 - 36 A max**

Always EU RoHS/ELV Compliant  
(Statement of Compliance)

**Product Highlights:**

- Universal MATE-N-LOK II Product Line
- Wire-to-Wire
- Applies To Wire/Cable
- Contact
- Contact Type = Pin

[View all Features](#)

**Quick Links**

- ▶ [Pricing & Availability](#)
- ▶ [Search for Tooling](#)
- ▶ [View Housings \(15\)](#)
- ▶ [Product Feature Selector](#)
- ▶ [Contact Us About This Product](#)

[Add to My Part List](#)

[Request Sample](#)

[Find Similar Products](#)

[Buy Product](#)

### Documentation & Additional Information

**Product Drawings:**

- [PIN, LOOSE PIECE, UNIVERSAL MATE-N-LOK\(TM\) II](#) (PDF, English)

**Catalog Pages/Data Sheets:**

- [SOFT\\_SHELL\\_PIN\\_SOCKET\\_CONNECTORS\\_STANDARD\\_DENSITY](#) (PDF, English)

**Product Specifications:**

- [Connector, Universal MATE-N-LOK II](#) (PDF, English)
- [Circular Multi-Pin Connector](#) (PDF, English)

**Application Specifications:**

- [Universal MATE-N-LOK II Connectors](#) (PDF, English)

**Instruction Sheets:**

- None Available

**CAD Files:** (CAD Format & Compression Information)

- [2D Drawing](#) (DXF, Version H)
- [3D Model](#) (IGES, Version H)
- [3D Model](#) (STEP, Version H)

[List all Documents](#)

**Additional Information:**

- [Product Line Information](#)

**Related Products:**

- [Tooling](#)
- [Housings \(15\)](#)

### Product Features (Please use the Product Drawing for all design activity)

**Product Type Features:**

- Product Line = Universal MATE-N-LOK II
- Product Type = Contact
- Termination Method to Wire/Cable = Crimp
- Strain Relief = Without
- Sealed = No
- Wire/Cable Type = Discrete Wire
- UL File Number = E28476
- CSA File Number = LR 7189

**Mechanical Attachment:**

- Contact Retention = Without

**Electrical Characteristics:**

- Operating Voltage Reference = AC
- Operating Voltage (VAC) = 600

**Industry Standards:**

- Agency/Standard = CSA, UL
- [RoHS/ELV Compliance](#) = RoHS compliant, ELV compliant
- [Lead Free Solder Processes](#) = Not relevant for lead free process
- [RoHS/ELV Compliance History](#) = Always was RoHS compliant
- VDE Tested = Yes
- UL Rating = Recognized
- CSA Rating = Certified

**Environmental:**

- Operating Temperature (°C [°F]) = -55 - +120 [-67 - +248]

**Conditions for Usage:**

**Termination Features:**

- Wire/Cable Size (mm<sup>2</sup>) = 3 – 6
- Wire/Cable Size (AWG) = 10 – 12

**Body Features:**

- Wire Type = Stranded

**Contact Features:**

- Contact Type = Pin
- Contact Base Material = Phosphor Bronze
- Contact Plating, Mating Area, Material = Pre-Tin
- Multiple Contact Types = Without

- Applies To = Wire/Cable
- Glow Wire Rating = Standard Part - Not Glow Wire
- Accepts Wire Insulation Diameter, Range (mm [in]) = 5.08 [0.200]
- For Use With = Standard Universal MATE-N-LOK(Socket)

**Operation/Application:**

- Application Use = Wire-to-Wire

**Packaging Features:**

- Packaging Method = Bag
- Packaging Quantity = 1,000

**Other:**

- Brand = AMP

**Corporate Information**

[About TE](#)  
[Investors](#)  
[News Room](#)  
[Supplier Portal](#)  
[Careers](#)  
[Terms & Conditions](#)  
[Privacy Policy](#)

**Quick Links**

[Distributor Inventory](#)  
[Product Cross Reference](#)  
[Documents & Drawings](#)  
[Product Compliance Support Center](#)  
[Site Map](#)

**Customer Support**

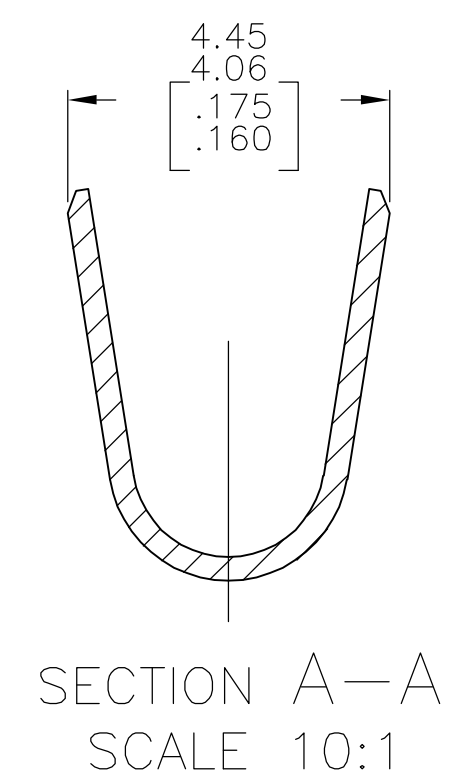
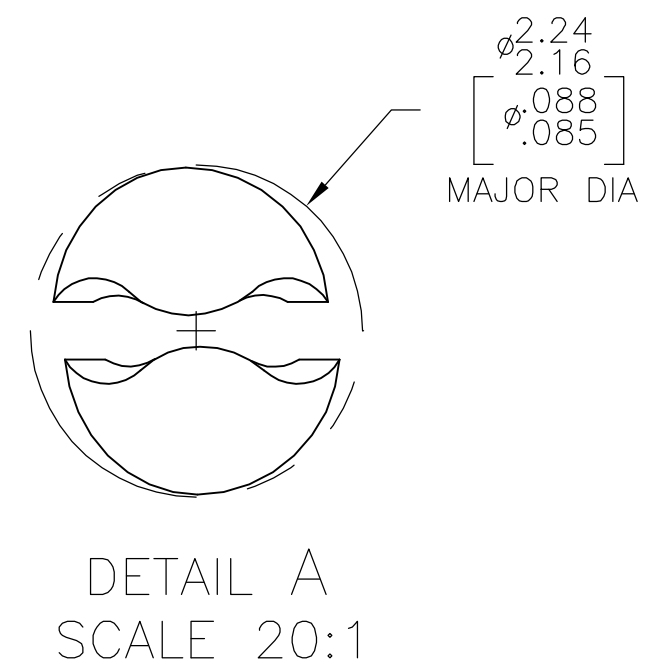
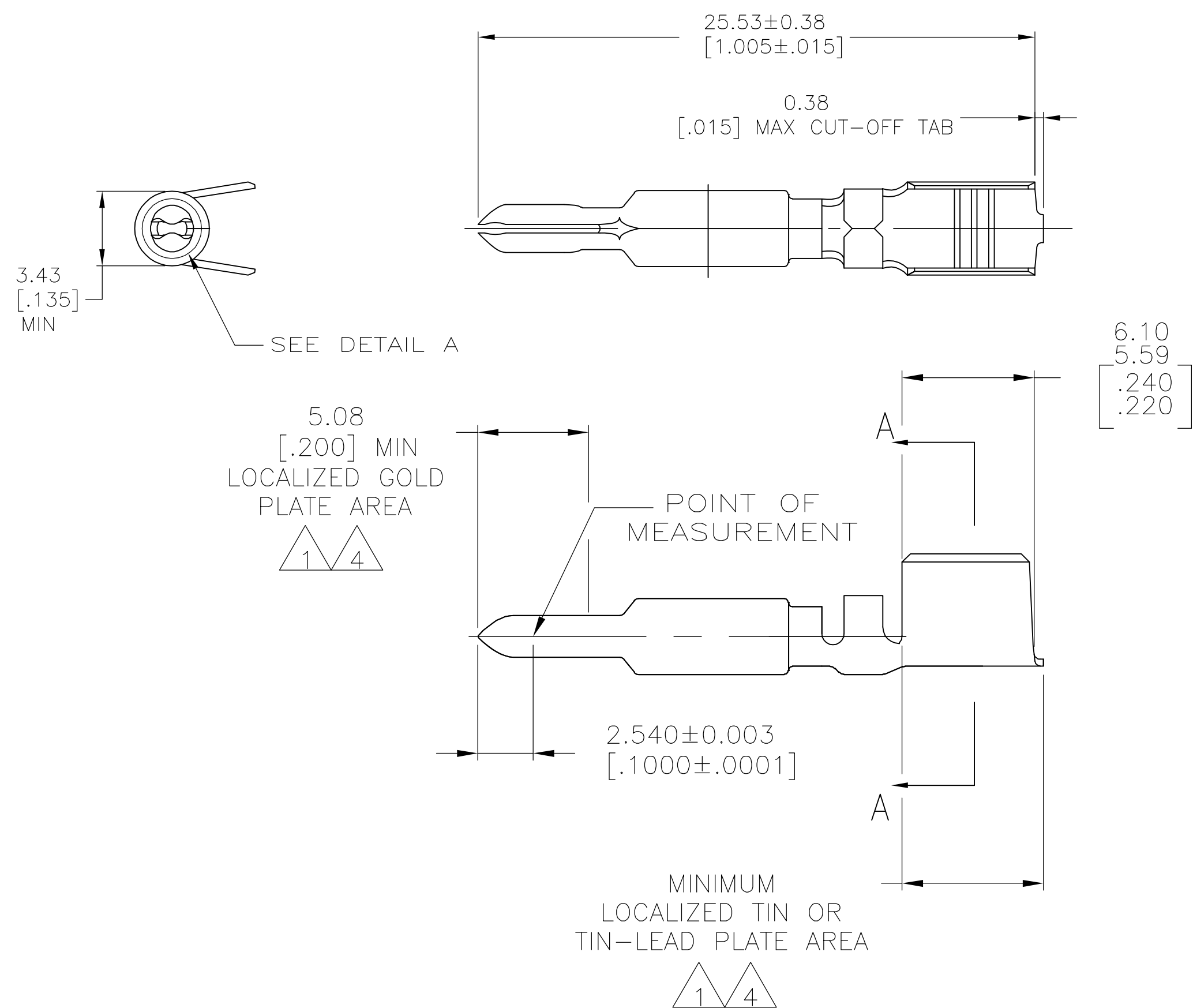
[Email or Chat With Us](#)  
[Find a Phone Number](#)  
[Knowledge Base](#)  
[Manage Your Account](#)

**Keep Me Informed**

THIS DRAWING IS UNPUBLISHED. RELEASED FOR PUBLICATION  
 © COPYRIGHT BY TYCO ELECTRONICS CORPORATION. ALL RIGHTS RESERVED.

LOC		DIST		REVISIONS			
P	LTR	DESCRIPTION		DATE	DWN	APVD	
CM	00	H		EC 063B 0215 05	22SEP05	BSV RCJ	

- 1. 0.00076[.000030] MIN GOLD AT POINT OF MEASUREMENT IN THE LOCALIZED GOLD PLATE AREA, 0.00127[.000050] MIN TIN-LEAD IN TIN-LEAD PLATE AREA, 0.00127[.000050] MIN NICKEL UNDERPLATE ON ENTIRE CONTACT.
- 2. WIRE RANGE: 3-6mm<sup>2</sup> [12-10 AWG].
- 3. DIMENSIONS IN BRACKETS ARE IN INCHES.
- 4. 0.00076[.000030] MIN GOLD AT POINT OF MEASUREMENT IN THE LOCALIZED GOLD PLATE AREA, 0.00127[.000050] MIN. TIN IN TIN PLATE AREA, 0.00127[.000050] MIN. NICKEL UNDERPLATE ON ENTIRE CONTACT.
- 5. THIS CONTACT HAS NO INSULATION BARREL.



FINISH	MATERIAL	PART NUMBER
GOLD $\Delta$ 1	0.30 [.012] PH BRZ	1-770246-0
GOLD $\Delta$ 4	0.30 [.012] PH BRZ	770246-4
PRE-TIN	0.30 [.012] PH BRZ	770246-3

THIS DRAWING IS A CONTROLLED DOCUMENT.		DWN K. WHITAKER 02APR04	tyco Electronics Tyco Electronics Corporation Harrisburg, PA 17105-3608	
DIMENSIONS: mm [INCHES]		CHK C.JONES 02APR04	NAME PIN, LOOSE PIECE, UNIVERSAL MATE-N-LOK(TM) II	
TOLERANCES UNLESS OTHERWISE SPECIFIED: 0 PLC ± - 1 PLC ± - 2 PLC ± - 3 PLC ± - 4 PLC ± - ANGLES ± - FINISH		APVD C.JONES 02APR04	PRODUCT SPEC APPLICATION SPEC WEIGHT A2 00779 C=770246	
MATERIAL		SCALE 5:1	DRAWING NO C=770246	
CUSTOMER DRAWING		RESTRICTED TO		SHEET 1 of 1
		REV H		

METRIC