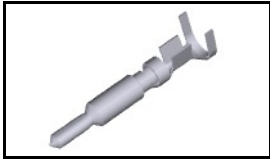


770248-1 Product Details

[Share](#) [Print](#) [Email](#)



770248-1

TE Internal Number: 770248-1

Active

[View 3D PDF](#)

.250" Centerline, 600 V, 19 - 36 A max

Always EU RoHS/ELV Compliant
(Statement of Compliance)

Product Highlights:

- Universal MATE-N-LOK II Product Line
- Wire-to-Wire
- Applies To Wire/Cable
- Contact
- Contact Type = Pin

[View all Features](#)

Quick Links

- ▶ [Pricing & Availability](#)
- ▶ [Search for Tooling](#)
- ▶ [View Housings \(15\)](#)
- ▶ [Product Feature Selector](#)
- ▶ [Contact Us About This Product](#)

[Add to My Part List](#) [Request Sample](#) [Find Similar Products](#)
[Buy Product](#)

Documentation & Additional Information	
<p>Product Drawings:</p> <ul style="list-style-type: none"> • PIN, LOOSE PIECE, UNIVERSAL MATE-N-LOK(TM) II (PDF, English) <p>Catalog Pages/Data Sheets:</p> <ul style="list-style-type: none"> • SOFT_SHELL_PIN_SOCKET_CONNECTORS_STANDARD_DENSITY (PDF, English) <p>Product Specifications:</p> <ul style="list-style-type: none"> • Connector, Universal MATE-N-LOK II (PDF, English) • Circular Multi-Pin Connector (PDF, English) <p>Application Specifications:</p> <ul style="list-style-type: none"> • Universal MATE-N-LOK II Connectors (PDF, English) <p>Instruction Sheets:</p> <ul style="list-style-type: none"> • None Available <p>CAD Files: (CAD Format & Compression Information)</p> <ul style="list-style-type: none"> • 2D Drawing (DXF, Version F) • 3D Model (IGES, Version F) • 3D Model (STEP, Version F) 	<p>Additional Information:</p> <ul style="list-style-type: none"> • Product Line Information <p>Related Products:</p> <ul style="list-style-type: none"> • Tooling • Housings (15)

[List all Documents](#)

Product Features (Please use the Product Drawing for all design activity)	
<p>Product Type Features:</p> <ul style="list-style-type: none"> • Product Line = Universal MATE-N-LOK II • Product Type = Contact • Termination Method to Wire/Cable = Crimp • Strain Relief = Without • Sealed = No • Wire/Cable Type = Discrete Wire • UL File Number = E28476 • CSA File Number = LR 7189 <p>Mechanical Attachment:</p> <ul style="list-style-type: none"> • Contact Retention = Without <p>Electrical Characteristics:</p> <ul style="list-style-type: none"> • Operating Voltage Reference = AC • Operating Voltage (VAC) = 600 	<p>Industry Standards:</p> <ul style="list-style-type: none"> • Agency/Standard = CSA, UL • RoHS/ELV Compliance = RoHS compliant, ELV compliant • Lead Free Solder Processes = Not relevant for lead free process • RoHS/ELV Compliance History = Always was RoHS compliant • VDE Tested = Yes • UL Rating = Recognized • CSA Rating = Certified <p>Environmental:</p> <ul style="list-style-type: none"> • Operating Temperature (°C [°F]) = -55 - +120 [-67 - +248] <p>Conditions for Usage:</p>

Termination Features:

- Wire/Cable Size (mm²) = 0.5 - 2
- Wire/Cable Size (AWG) = 14 - 20

Body Features:

- Wire Type = Stranded

Contact Features:

- Contact Type = Pin
- Contact Base Material = Brass
- Contact Plating, Mating Area, Material = Pre-Tin
- Multiple Contact Types = Without

- Applies To = Wire/Cable
- Glow Wire Rating = Standard Part - Not Glow Wire
- Accepts Wire Insulation Diameter, Range (mm [in]) = 3.30 - 5.10 [0.130 - 2.000]
- For Use With = Standard Universal MATE-N-LOK(Socket)

Operation/Application:

- Application Use = Wire-to-Wire

Packaging Features:

- Packaging Method = Bag
- Packaging Quantity = 1,000

Other:

- Brand = AMP

Corporate Information

[About TE](#)
[Investors](#)
[News Room](#)
[Supplier Portal](#)
[Careers](#)
[Terms & Conditions](#)
[Privacy Policy](#)

Quick Links

[Distributor Inventory](#)
[Product Cross Reference](#)
[Documents & Drawings](#)
[Product Compliance Support Center](#)
[Site Map](#)

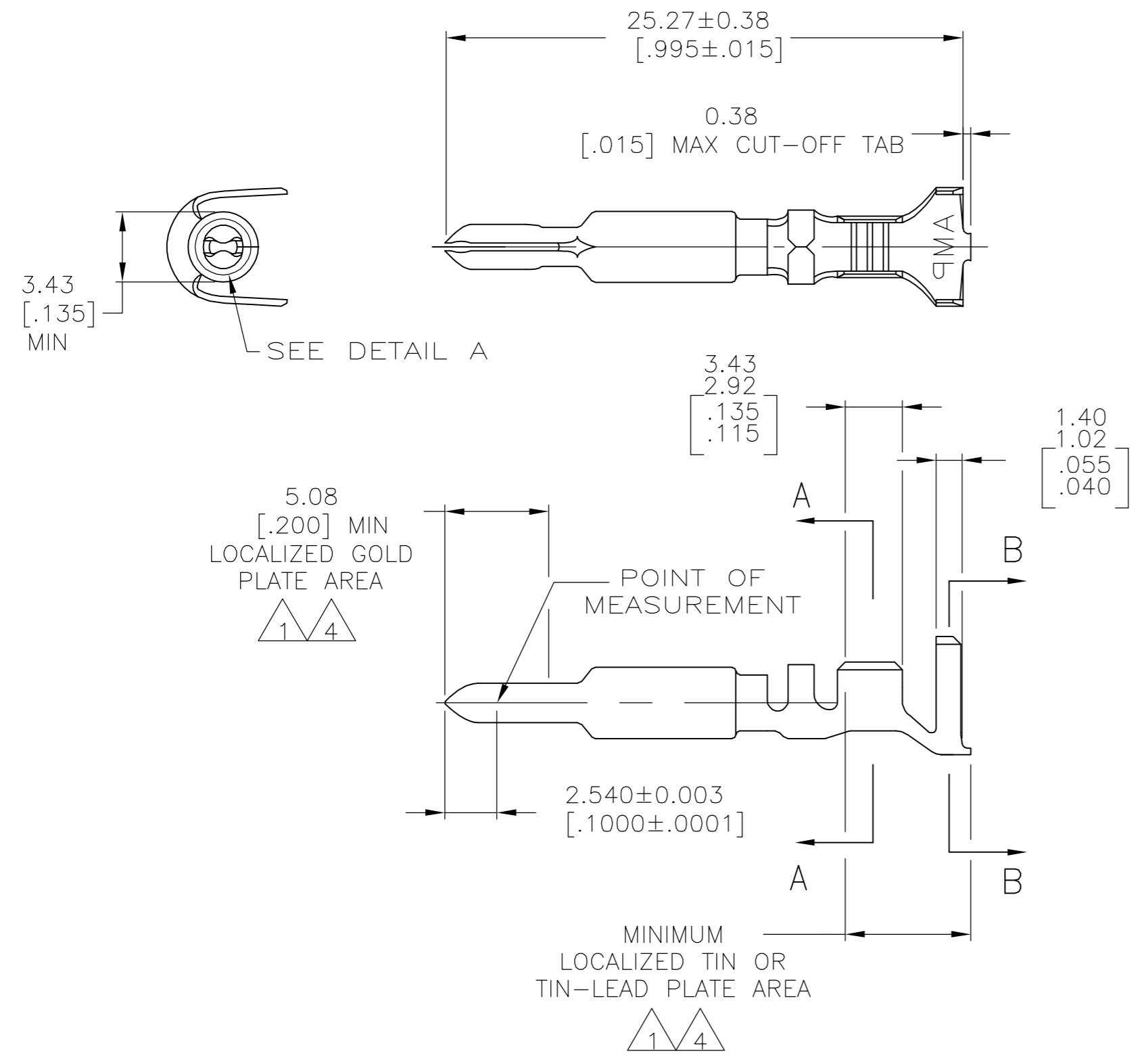
Customer Support

[Email or Chat With Us](#)
[Find a Phone Number](#)
[Knowledge Base](#)
[Manage Your Account](#)

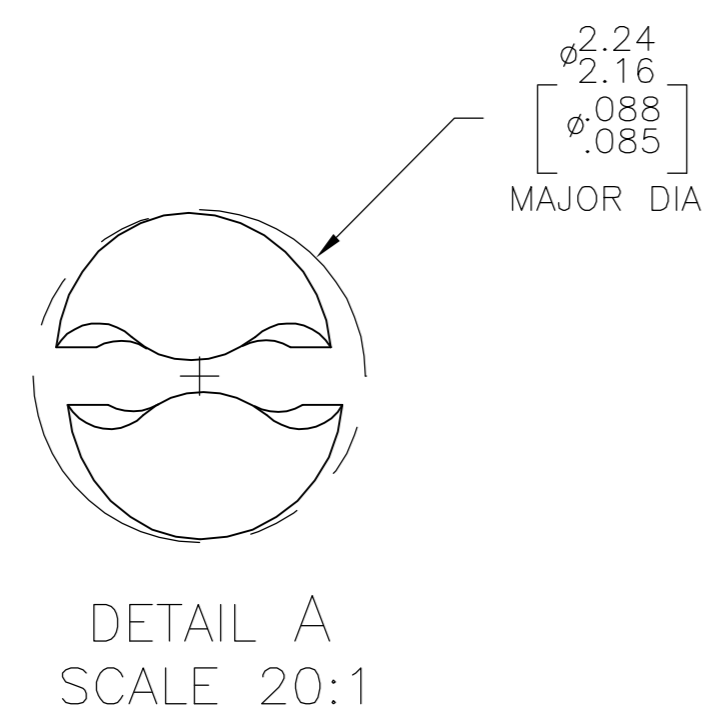
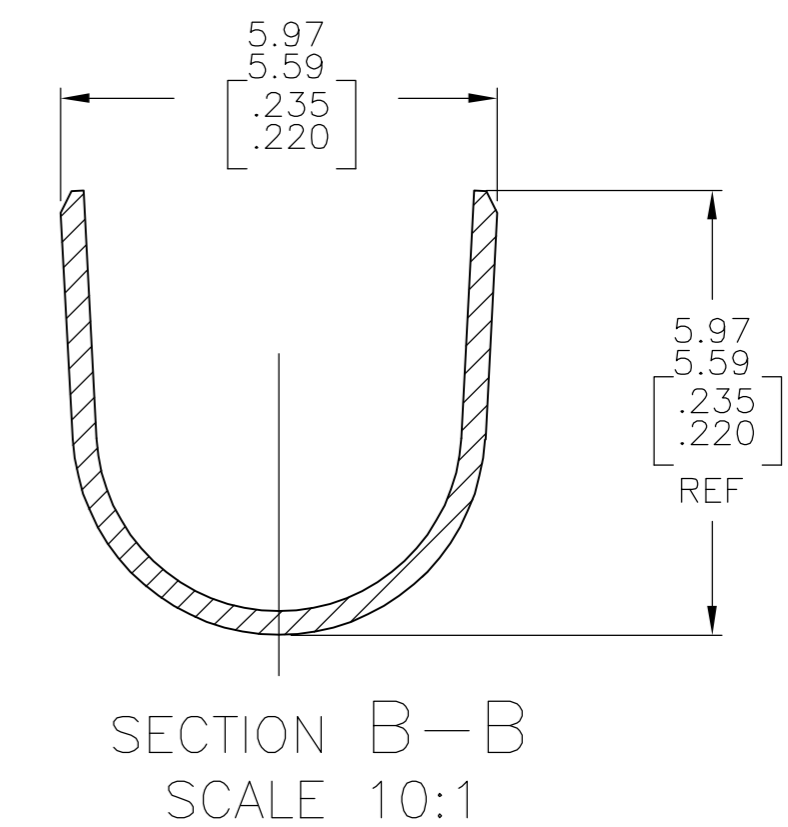
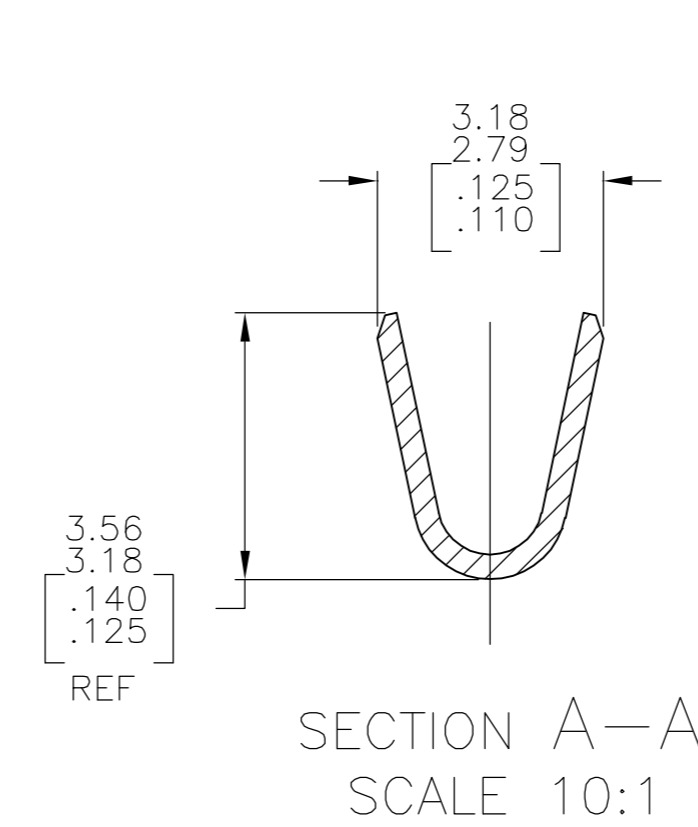
Keep Me Informed

THIS DRAWING IS UNPUBLISHED. RELEASED FOR PUBLICATION
 © COPYRIGHT BY TYCO ELECTRONICS CORPORATION. ALL RIGHTS RESERVED.

LOC	DIST	REVISIONS			
P	LTR	DESCRIPTION	DATE	DWN	APVD
CM	00	F	EC 0G3B 0215 05	22SEP05	BSV RCJ



- 1. 0.00076[.000030] MIN GOLD AT POINT OF MEASUREMENT IN THE LOCALIZED GOLD PLATE AREA, 0.00127[.000050] MIN TIN-LEAD IN TIN-LEAD PLATE AREA, 0.00127[.000050] MIN NICKEL UNDERPLATE ON ENTIRE CONTACT.
- 2. WIRE RANGE: 0.5-2mm² [20-14 AWG]. INSULATION RANGE: 3.30-5.08 [.130-.200] DIA.
- 3. DIMENSIONS IN BRACKETS ARE IN INCHES.
- 4. 0.00076[.000030] MIN GOLD AT POINT OF MEASUREMENT IN THE LOCALIZED GOLD PLATE AREA, 0.00127[.000050] MIN TIN IN TIN PLATE AREA, 0.00127[.000050] MIN NICKEL UNDERPLATE ON ENTIRE CONTACT.



METRIC

FINISH	MATERIAL	PART NUMBER
GOLD 1	0.30 [.012] BRASS	1-770248-0
GOLD 4	0.30 [.012] BRASS	770248-2
PRE-TIN	0.30 [.012] BRASS	770248-1

THIS DRAWING IS A CONTROLLED DOCUMENT.		DWN S. CARPENTER 21MAY03	Tyco Electronics Corporation	
DIMENSIONS: mm [INCHES]		CHK C.JONES 21MAY03	Harrisburg, PA 17105-3608	
TOLERANCES UNLESS OTHERWISE SPECIFIED:		APVD C.JONES 21MAY03	NAME PIN, LOOSE PIECE, UNIVERSAL MATE-N-LOK(TM) II	
0 PLC ± -	1 PLC ± -	PRODUCT SPEC	SIZE A2	CAGE CODE 00779
2 PLC ± -	3 PLC ± -	APPLICATION SPEC	DRAWING NO C=770248	RESTRICTED TO -
4 PLC ± -	ANGLES ± -	FINISH SEE TABLE	WEIGHT -	SCALE 4:1
MATERIAL SEE TABLE	FINISH SEE TABLE	CUSTOMER DRAWING	SHEET 1 of 1	REV F