

Distributed by:

JAMECO[®]
ELECTRONICS

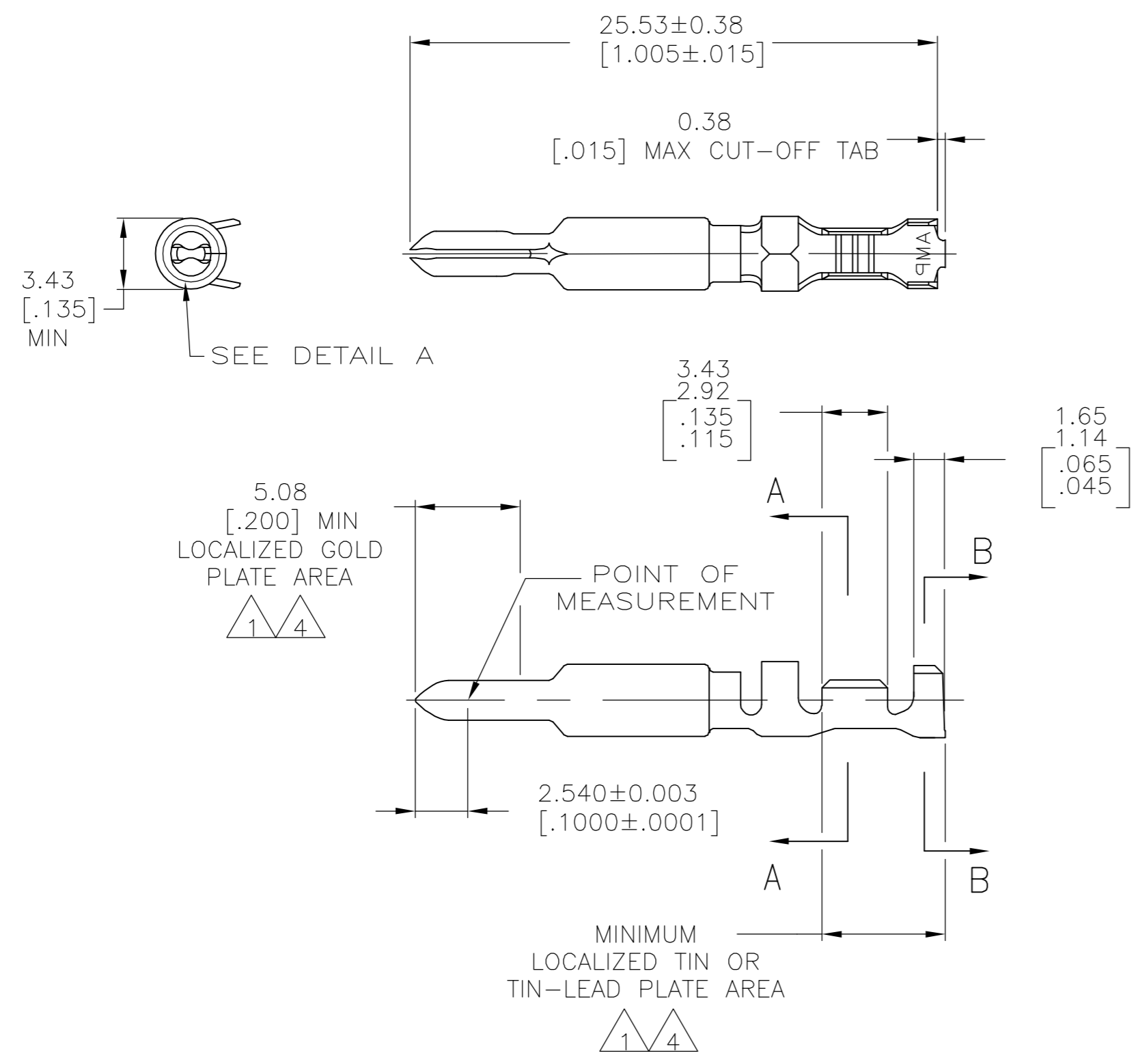
www.Jameco.com ♦ 1-800-831-4242

The content and copyrights of the attached
material are the property of its owner.

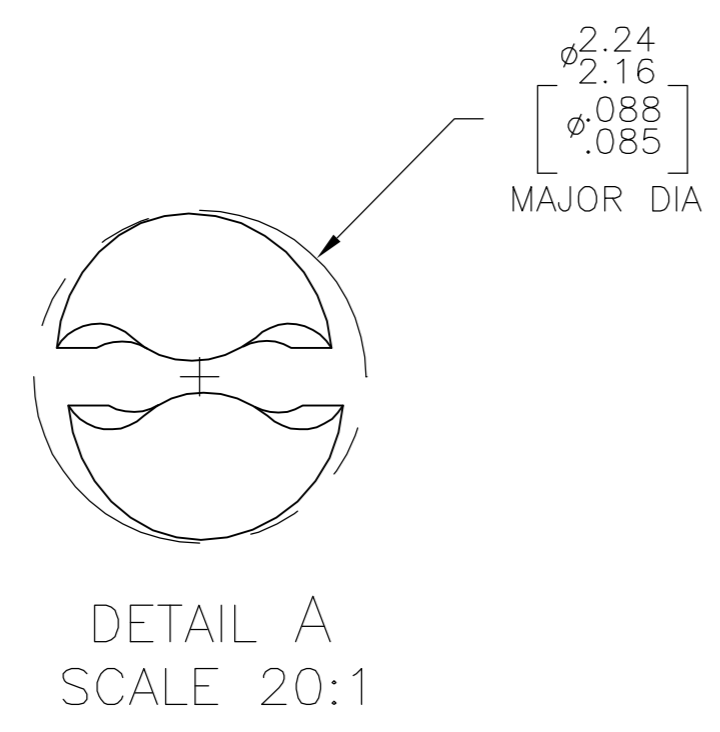
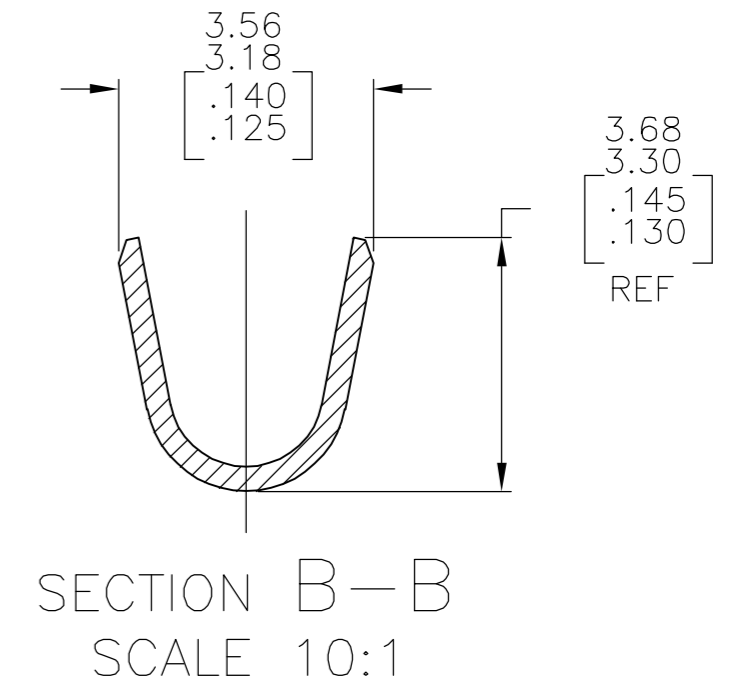
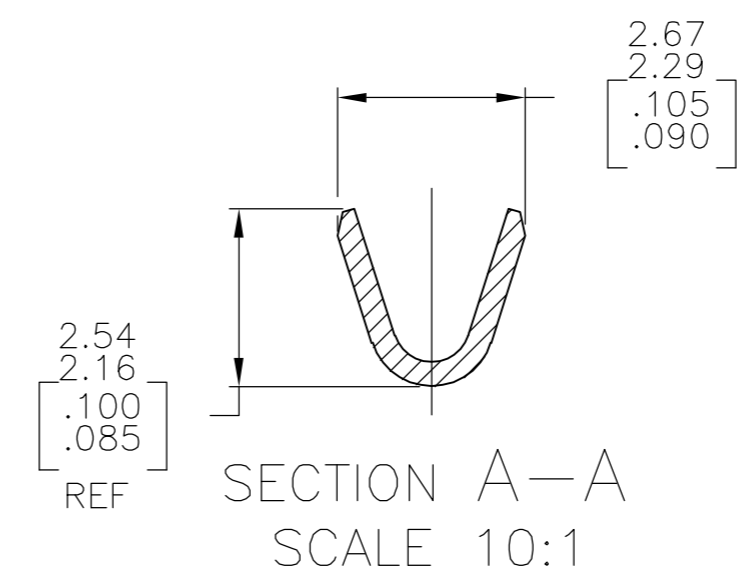
Jameco Part Number 985356

THIS DRAWING IS UNPUBLISHED. RELEASED FOR PUBLICATION
 © COPYRIGHT BY TYCO ELECTRONICS CORPORATION. ALL RIGHTS RESERVED.

LOC		DIST		REVISIONS			
P	LTR	DESCRIPTION		DATE	DWN	APVD	
CM	00	F		EC 063B 0215 05	23SEP05	BSV	RCJ



- 1. 0.00076[.000030] MIN GOLD AT POINT OF MEASUREMENT IN THE LOCALIZED GOLD PLATE AREA, 0.00127[.000050] MIN TIN-LEAD IN TIN-LEAD PLATE AREA, 0.00127[.000050] MIN NICKEL UNDERPLATE ON ENTIRE CONTACT.
- 2. WIRE RANGE: 0.2-1mm² [24-18 AWG]. INSULATION RANGE: 1.02-2.54 [.040-.100] DIA.
- 3. DIMENSIONS IN BRACKETS ARE IN INCHES.
- 4. 0.00076[.000030] MIN GOLD AT POINT OF MEASUREMENT IN THE LOCALIZED GOLD PLATE AREA, 0.00127[.000050] MIN TIN IN TIN PLATE AREA, 0.00127[.000050] MIN NICKEL UNDERPLATE ON ENTIRE CONTACT.



FINISH	MATERIAL	PART NUMBER
GOLD \triangle_4	0.30 [.012] BRASS	1-770252-0
GOLD \triangle_1	0.30 [.012] BRASS	770252-2
PRE-TIN	0.30 [.012] BRASS	770252-1

THIS DRAWING IS A CONTROLLED DOCUMENT.		DWN K. WHITAKER 30SEP04	Tyco Electronics Corporation Harrisburg, PA 17105-3608	
DIMENSIONS: mm [INCHES]		CHK C.JONES 30SEP04	NAME PIN, LOOSE PIECE, UNIVERSAL MATE-N-LOK(TM) II	
TOLERANCES UNLESS OTHERWISE SPECIFIED: 0 PLC ± - 1 PLC ± - 2 PLC ± 0.13 [.005] 3 PLC ± - 4 PLC ± - ANGLES ± 0°30'		APVD C.JONES 30SEP04	DRAWING NO A2 00779 C=770252	
MATERIAL -		FINISH -	WEIGHT -	RESTRICTED TO -
CUSTOMER DRAWING			SCALE 4:1	SHEET 1 of 1
			REV F	

METRIC

770252