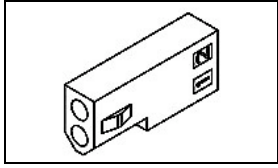


770274-1 Product Details



770274-1

TE Internal Number: 770274-1



Active

.062" Commercial Pin & Socket Connector

 Always EU RoHS/ELV Compliant (Statement of Compliance)

Product Highlights:

- Wire-to-Wire
- Connector
- Connector Style = Receptacle
- Contact - Rated Current = 6 A
- Contact Transmits (Typical Application) Power, Contact Transmits (Typical Application) Signal (Data), Contact Transmits (Typical Application) Signal (Data)/Power

Documentation & Additional Information

Product Drawings:

- [RECEPTACLE,4 CIRCUIT,.062 PIN AND SOCKET](#) (PDF, English)

Catalog Pages/Data Sheets:

- [SOFT_SHELL_PIN_AND_SOCKET_CONNECTORS_CATALOG](#) (PDF, English)

Product Specifications:

- [.062 Diameter Pin and Socket Terminal](#) (PDF, English)

Application Specifications:

- [.062 Diameter Pin and Socket Contacts and Housings](#) (PDF, English)

Instruction Sheets:

- None Available

CAD Files: [\(CAD Format & Compression Information\)](#)

- [2D Drawing](#) (DXF, Version C)
- [3D Model](#) (IGES, Version C)
- [3D Model](#) (STEP, Version C)

Additional Information:

- [Product Line Information](#)

Related Products:

- [Tooling](#)
- [Mating Products \(2\)](#)
- [Contacts \(20\)](#)

Product Features (Please use the Product Drawing for all design activity)

Product Type Features:

- Product Type = Connector
- Strain Relief = Without
- Wire/Cable Type = Discrete Wire
- Termination Method to Wire/Cable = Crimp
- Shrouded = Yes
- Sealed = No
- UL File Number = E28476
- CSA File Number = LR 7189

Mechanical Attachment:

- Panel Mount Retention = Without
- Mating Retention Type = Detent Lock

Electrical Characteristics:

- Contact - Rated Current (A) = 6
- Operating Voltage Reference = AC/DC
- Operating Voltage (VAC) = 250
- Operating Voltage (VDC) = 250

Termination Features:

- Wire/Cable Size (AWG) = 18 - 30
- Wire/Cable Size (mm²) = 0.2 - 0.9
- Wire/Cable Size (CMA) = 394.71 - 1,776.17

Dimensions:

- Length (X-Axis) (mm [in]) = 19.94 [0.785]
- Width (Z-Axis) (mm [in]) = 16.13 [0.635]
- Profile Height (Y-Axis) (mm [in]) = 5.05 [0.1988]

Body Features:

- Mating Retention = With
- Row-to-Row Spacing (mm [in]) = 3.68 [0.145]

Housing Features:

- Connector Style = Receptacle
- Housing Color = Natural
- Mating Alignment = With
- Centerline (mm [in]) = 3.68 [0.145]
- Mating Alignment Type = Polarization
- Housing Material = Nylon
- UL Flammability Rating = UL 94V-2

Configuration Features:

- Number of Positions = 4
- Number of Rows = 1
- Number of Columns = 4

Industry Standards:

- [RoHS/ELV Compliance](#) = RoHS compliant, ELV compliant
- [Lead Free Solder Processes](#) = Not relevant for lead free process
- RoHS/ELV Compliance History = Always was RoHS compliant
- VDE Tested = No
- Agency/Standard = CSA, UL
- UL Rating = Recognized
- UL Voltage Rating (VAC) = 250
- UL Voltage Rating (VDC) = 250

Environmental:

- Operating Temperature (°C [°F]) = -55 - +105 [-67 - +221]

Conditions for Usage:

- Accepts Wire Insulation Diameter, Range (mm [in]) = 1.27 - 2.79 [0.050 - 0.110]

Operation/Application:

- Row-to-Row Spacing (mm [in]) = 5.08 [0.199]
- ESD Protection = Without

Contact Features:

- Contact Type = Pin or Socket

- Application Use = Wire-to-Wire
- Contact Transmits (Typical Application) = Power, Signal (Data), Signal (Data)/Power

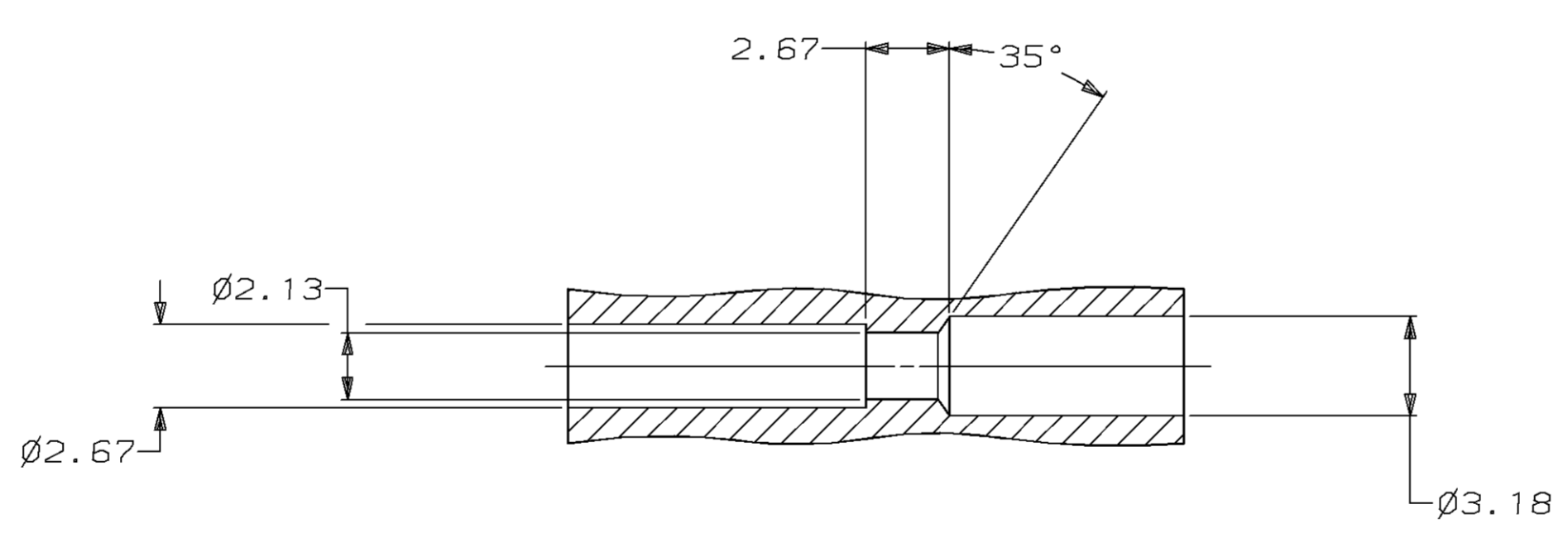
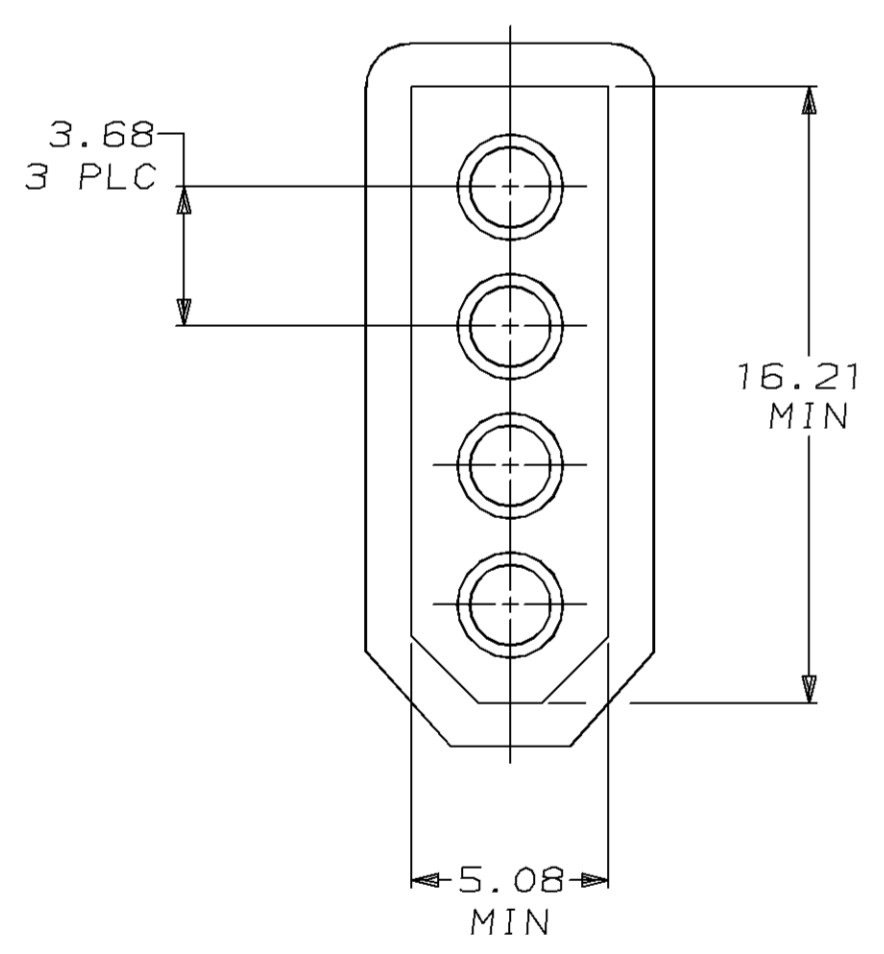
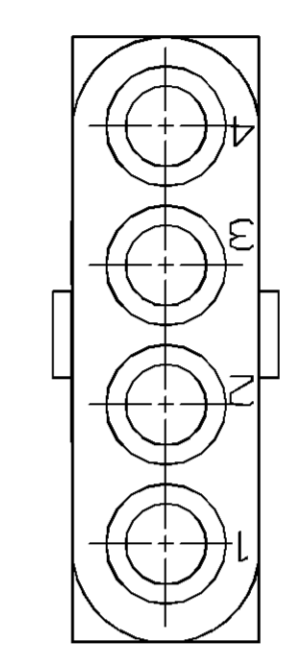
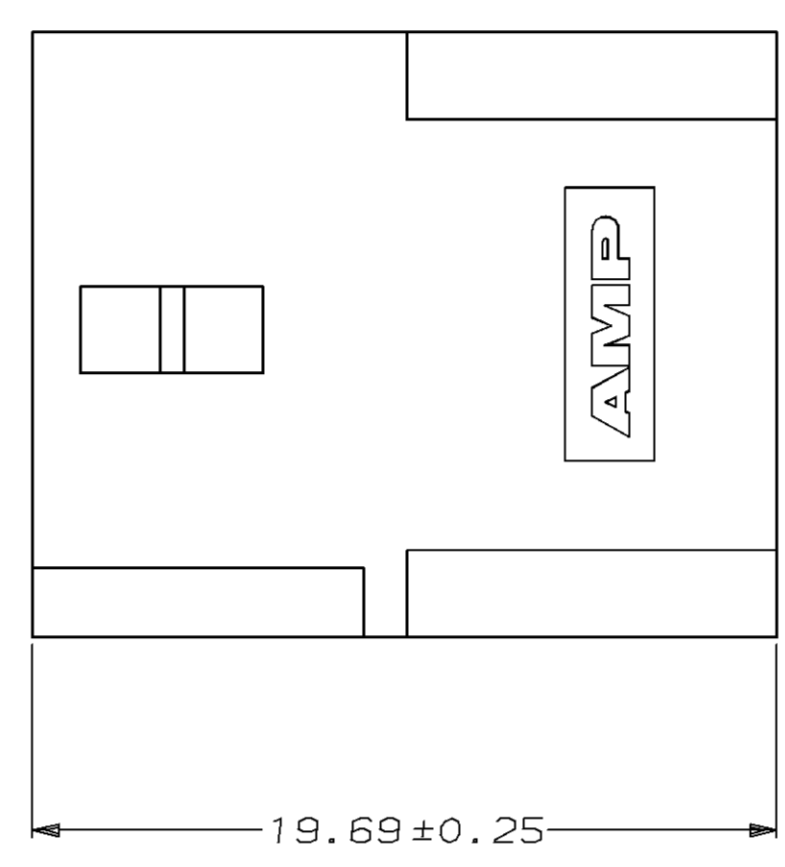
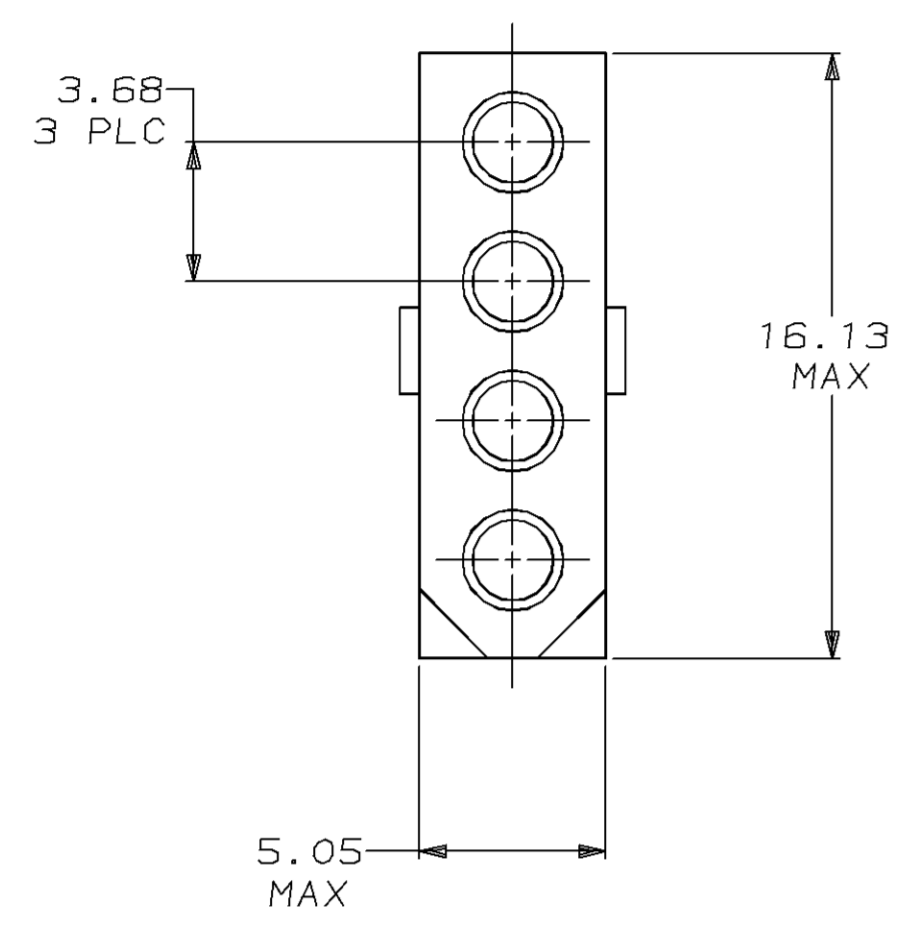
Packaging Features:

- Packaging Method = Loose Piece/Bulk

Other:

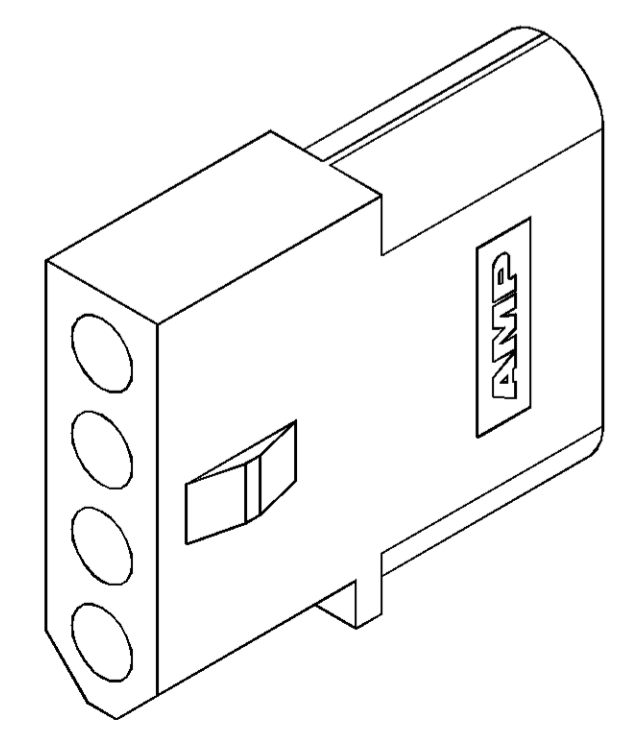
- Brand = AMP

LOC		DIST		P		F		ZONE		LTR		REVISIONS		DATE	APPD
CM	53												REV PER EC 0730-0221-95	11-20-95	JH



MATING CONNECTOR INTERFACE

TYPICAL RECEPTACLE CAVITY SECTION
(DIMENSIONS REFERENCE ONLY)



3-DIMENSIONAL MODEL
NTS

3.18	.125	19.69	.775
2.67	.105	16.21	.638
2.13	.084	16.13	.635
1.57	.062	5.08	.200
0.25	.010	5.05	.199
0.13	.005	3.68	.145
MM	IN	MM	IN

CONVERSION TABLE



THIS DRAWING IS A CONTROLLED DOCUMENT FOR AMP INCORPORATED. IT IS SUBJECT TO CHANGE AND THE CONTROLLING ENGINEERING ORGANIZATION SHOULD BE CONTACTED FOR THE LATEST REVISION.

770274-1		PART NO	
DO NOT SCALE PRINT. UNLESS SPECIFIED DIMENSIONS IN mm [INCHES] TOLERANCES ON:		DR 11-4-93 K. WHITAKER	
2 PLC DEC ± 0.13		CHK 11-4-93 R. SWING	
3 ANGLE ± 1°		APPD 11-4-93 C. CASH	
MATERIAL		APPD 11-4-93 C. CASH	
NYLON, UL 94V-2 NATURAL		PRODUCT SPEC	
FINISH		APPLICATION SPEC	
-		-	
SIZE	CAGE CODE	DRAWING NO	
D	00779	©-770274	
SCALE	5:1	SHEET 1 OF 1	

AMP AMP Incorporated
Harrisburg, PA 17105-3608

NAME
RECEPTACLE, 4 CIRCUIT,
.062 PIN AND SOCKET

CUSTOMER DRAWING