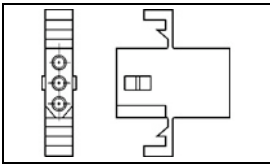


## 770343-1 Product Details

[Share](#) [Print](#) [Email](#)



**770343-1**

TE Internal Number: 770343-1

Active

View 3D PDF

### .062" Commercial Pin & Socket Connector

Always EU RoHS/ELV Compliant (Statement of Compliance)

#### Product Highlights:

- Wire-to-Wire
- Connector
- Connector Style = Receptacle
- Contact - Rated Current = 7 A
- Contact Transmits (Typical Application) Power, Contact Transmits (Typical Application) Signal (Data), Contact Transmits (Typical Application) Signal (Data)/Power

[View all Features](#)

#### Quick Links

- ▶ [Pricing & Availability](#)
- ▶ [Search for Tooling](#)
- ▶ [View Mating Products \(2\)](#)
- ▶ [View Contacts \(20\)](#)
- ▶ [Product Feature Selector](#)
- ▶ [Contact Us About This Product](#)

[Add to My Part List](#)

[Request Sample](#)

[Find Similar Products](#)

[Buy Product](#)

### Documentation & Additional Information

#### Product Drawings:

- [RECEPTACLE,PANEL MOUNT](#), (PDF, English)

#### Catalog Pages/Data Sheets:

- [SOFT\\_SHELL\\_PIN\\_AND\\_SOCKET\\_CONNECTORS\\_CATALOG](#) (PDF, English)

#### Product Specifications:

- [.062 Diameter Pin and Socket Terminal](#) (PDF, English)

#### Application Specifications:

- [.062 Diameter Pin and Socket Contacts and Housings](#) (PDF, English)

#### Instruction Sheets:

- None Available

#### CAD Files: [\(CAD Format & Compression Information\)](#)

- [2D Drawing](#) (DXF, Version G)
- [3D Model](#) (IGES, Version G)
- [3D Model](#) (STEP, Version G)

[List all Documents](#)

#### Additional Information:

- [Product Line Information](#)

#### Related Products:

- [Tooling](#)
- [Mating Products \(2\)](#)
- [Contacts \(20\)](#)

### Product Features (Please use the Product Drawing for all design activity)

#### Product Type Features:

- Product Type = Connector
- Wire/Cable Type = Discrete Wire
- Sealed = No
- CSA File Number = LR 7189

#### Mechanical Attachment:

- Panel Mount Retention = With
- Panel Mount Retention Type = Mounting Ear(s)
- Mating Retention Type = Detent Lock

#### Electrical Characteristics:

- Contact - Rated Current (A) = 7
- Operating Voltage Reference = AC/DC
- Operating Voltage (VAC) = 250
- Operating Voltage (VDC) = 250
- UL Voltage Rating (VAC) = 250
- UL Voltage Rating (VDC) = 250

#### Termination Features:

- Wire/Cable Size (AWG) = 18 - 30
- Wire/Cable Size (mm<sup>2</sup>) = 0.2 - 0.9
- Wire/Cable Size (CMA) = 394.71 - 1,776.17
- Termination Method to Wire/Cable = Crimp

#### Dimensions:

- Length (X-Axis) (mm [in]) = 20.83 [0.820]
- Width (Z-Axis) (mm [in]) = 8.64 [0.340]
- Profile Height (Y-Axis) (mm [in]) = 5.05 [0.1988]

#### Configuration Features:

- Number of Positions = 2
- Number of Rows = 1
- Number of Columns = 2
- Strain Relief = Without
- Shrouded = Yes

#### Industry Standards:

- [RoHS/ELV Compliance](#) = RoHS compliant, ELV compliant
- [Lead Free Solder Processes](#) = Not relevant for lead free process
- [RoHS/ELV Compliance History](#) = Always was RoHS compliant
- VDE Tested = No
- Agency/Standard = CSA, UL
- UL Rating = Recognized
- UL File Number = E28476
- UL Flammability Rating = UL 94V-2

#### Environmental:

- Operating Temperature (°C [°F]) = -55 - +105 [-67 - +221]

#### Conditions for Usage:

- Accepts Wire Insulation Diameter, Range (mm [in]) = 1.27 - 2.79 [0.050 - 0.110]

#### Operation/Application:

- Application Use = Wire-to-Wire
- Contact Transmits (Typical Application) = Power, Signal (Data), Signal (Data)/Power

**Body Features:**

- Mating Retention = With
- Row-to-Row Spacing (mm [in]) = 3.68 [0.145]
- ESD Protection = Without

**Contact Features:**

- Contact Type = Pin or Socket

**Housing Features:**

- Connector Style = Receptacle
- Housing Color = Natural
- Mating Alignment = With
- Centerline (mm [in]) = 3.68 [0.145]
- Mating Alignment Type = Polarization
- Housing Material = Nylon - GF

**Packaging Features:**

- Packaging Method = Loose Piece

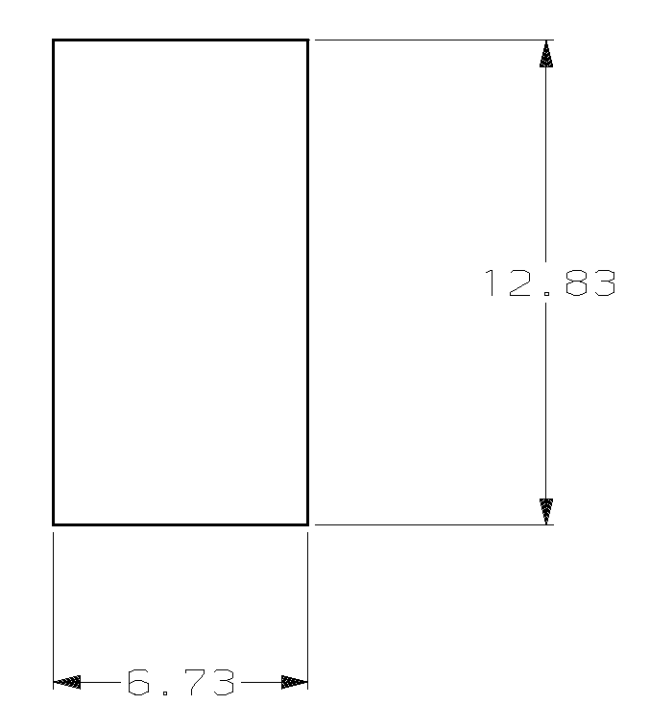
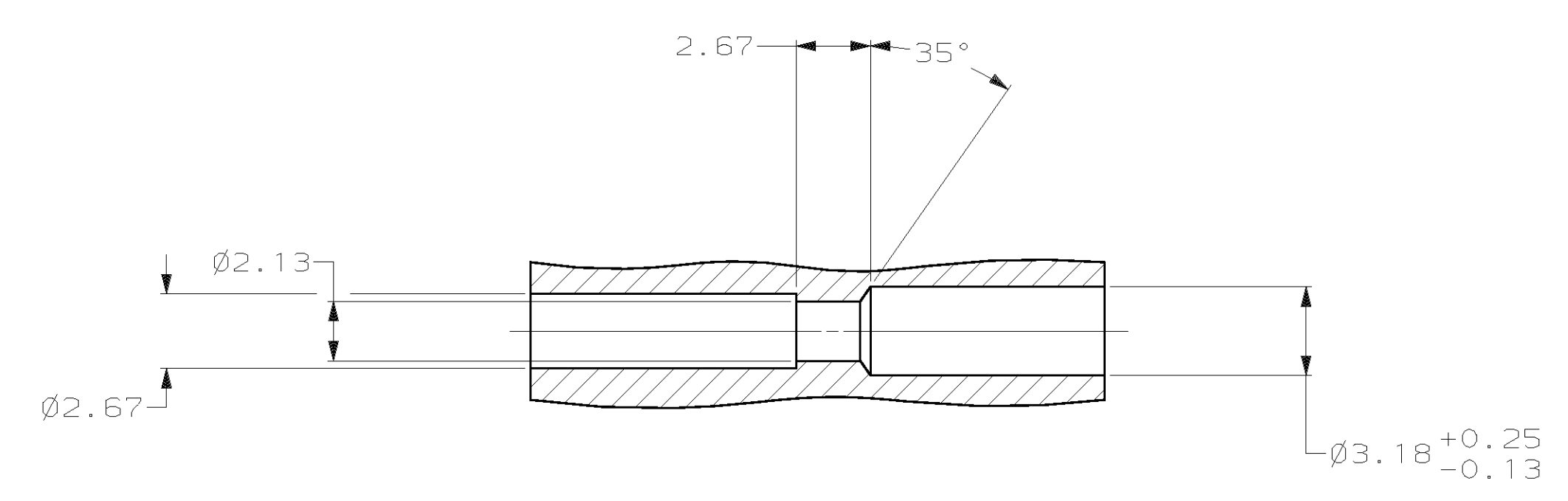
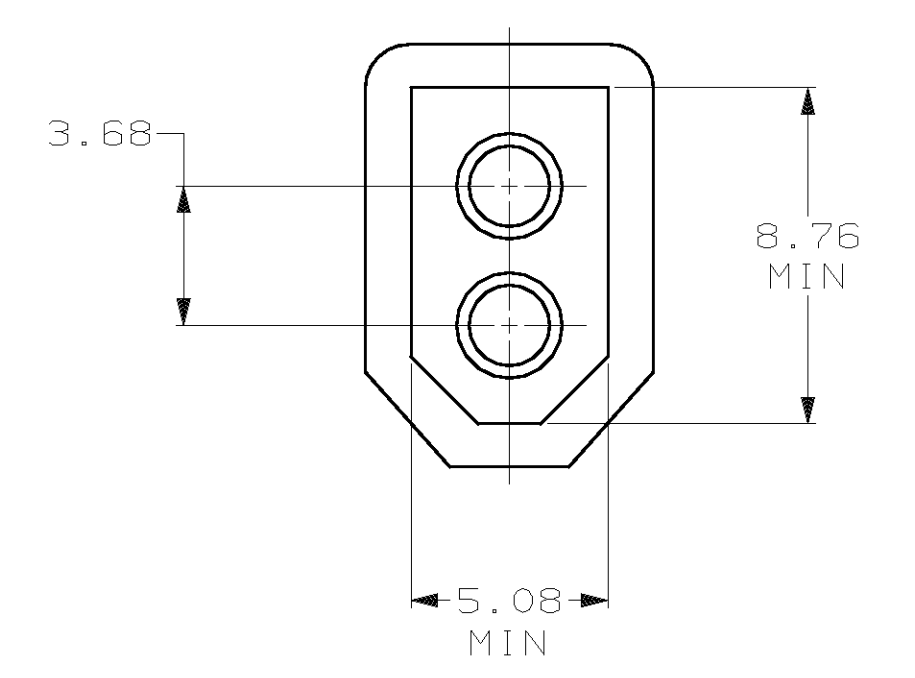
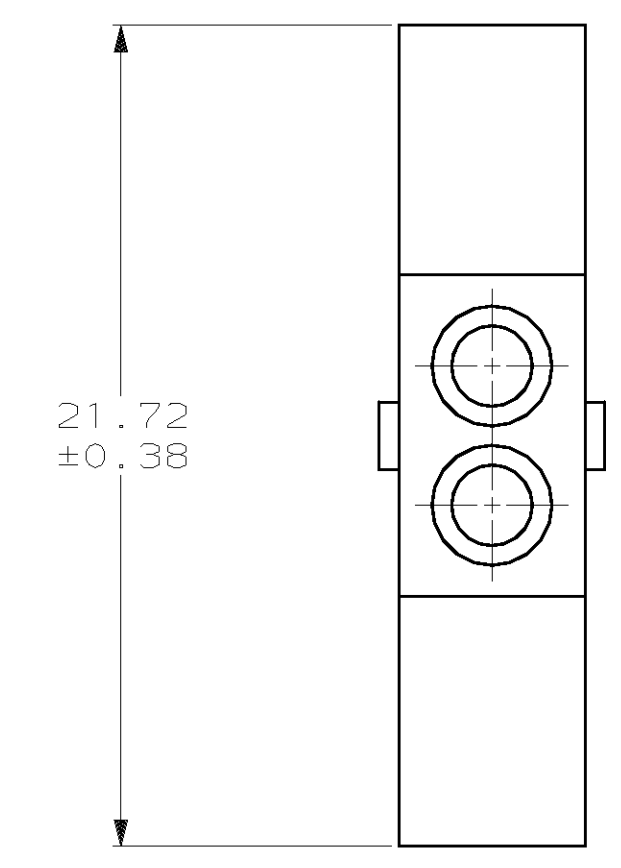
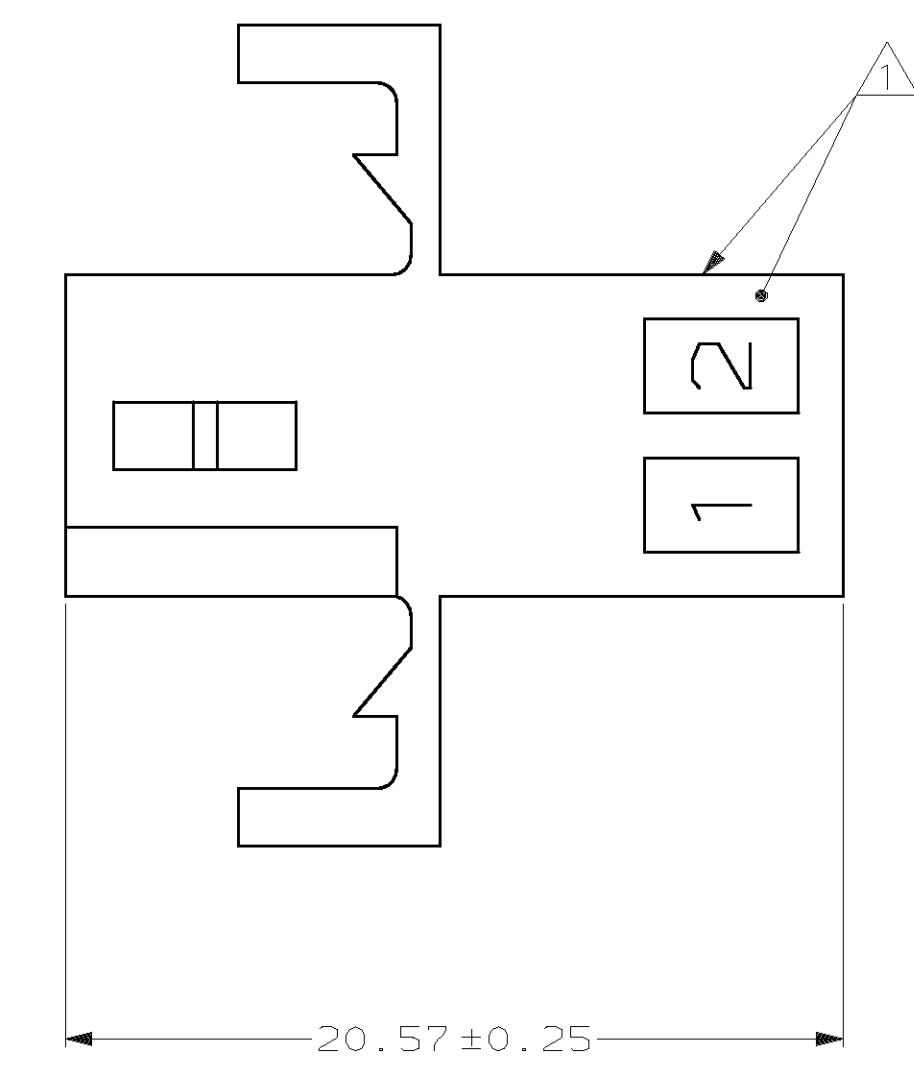
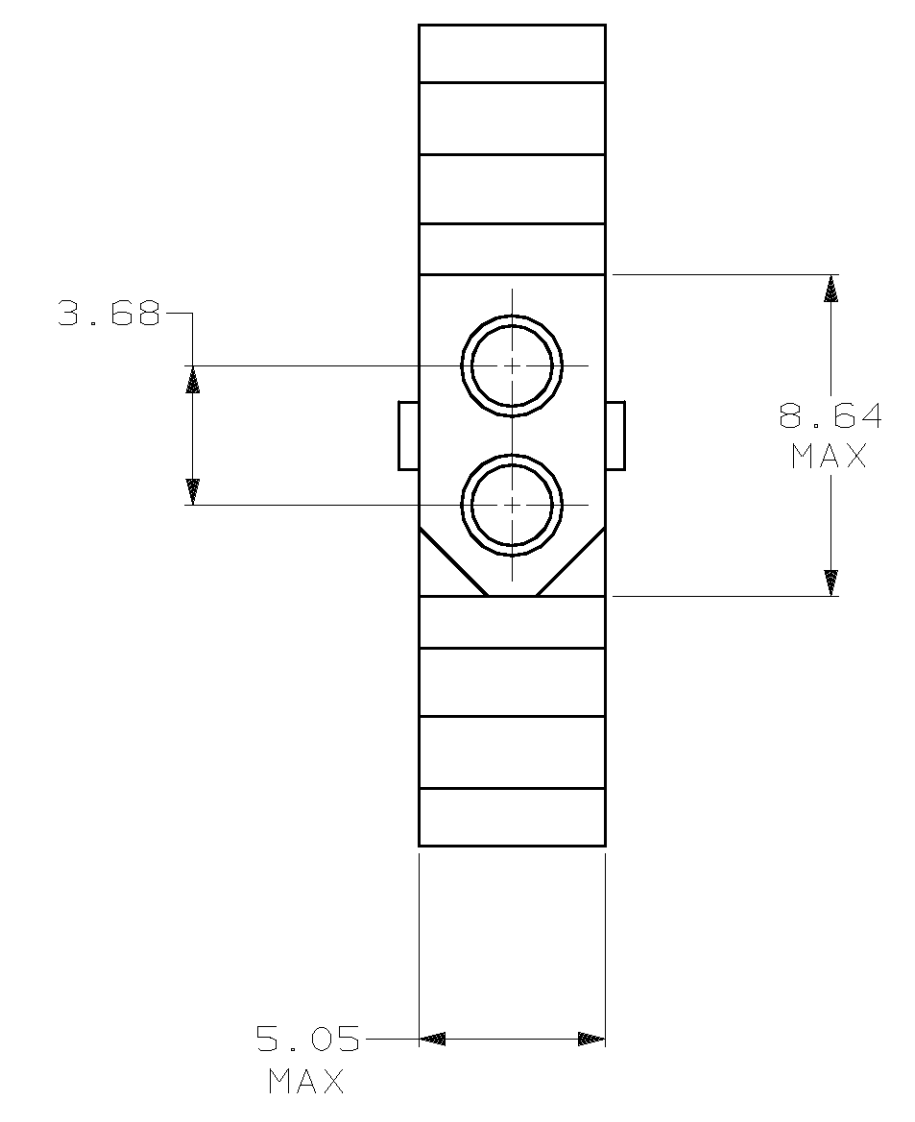
**Other:**

- Brand = AMP

**Corporate Information**[About TE](#)[Investors](#)[News Room](#)[Supplier Portal](#)[Careers](#)[Terms & Conditions](#)[Privacy Policy](#)[AODA Accessibility Policy](#)[AODA Multi-Year Accessibility Plan](#)**Quick Links**[Distributor Inventory](#)[Product Cross Reference](#)[Documents & Drawings](#)[Product Compliance Support Center](#)[Site Map](#)**Customer Support**[Email or Chat With Us](#)[Find a Phone Number](#)[Knowledge Base](#)[Manage Your Account](#)**Keep Me Informed**

LOC		DIST		P		F		ZONE		LTR		REVISIONS		DATE	APPD	
CM	53												6	REV PER EC OL30-0035-97	3-7-97	JH RS

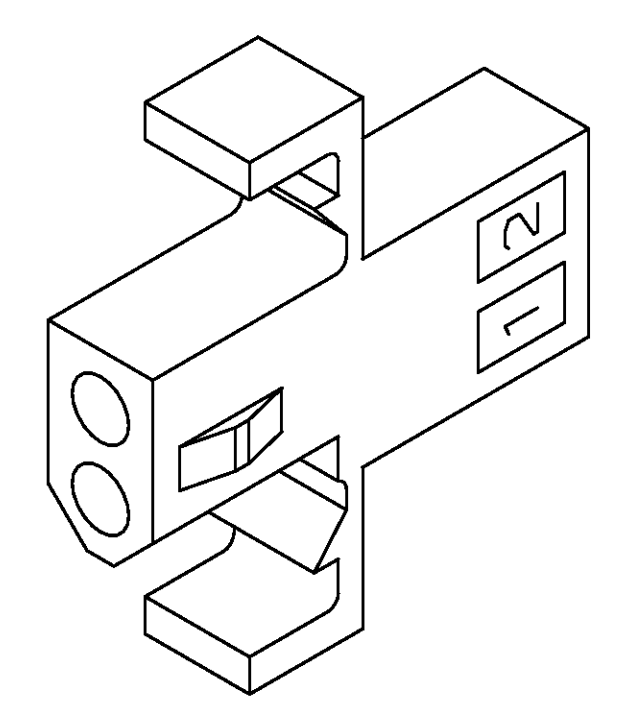
AMP LOGO AND CAVITY NUMBER LOCATED ON EITHER SURFACE.



MATING CONNECTOR INTERFACE

TYPICAL RECEPTACLE CAVITY SECTION  
(DIMENSIONS REFERENCE ONLY)

RECOMMENDED CUT OUT  
FOR 1.52 MAX THICK PANEL



3-DIMENSIONAL MODEL  
NTS

MM	IN	MM	IN	MM	IN
2.13	.084	6.73	.265	-	-
1.57	.062	5.08	.200	21.72	.855
1.52	.060	5.05	.199	20.57	.810
0.38	.015	3.68	.145	12.83	.505
0.25	.010	3.18	.125	8.76	.345
0.13	.005	2.67	.105	8.64	.340
MM	IN	MM	IN	MM	IN

CONVERSION TABLE

**METRIC**

THIS DRAWING IS A CONTROLLED DOCUMENT FOR AMP INCORPORATED. IT IS SUBJECT TO CHANGE AND THE CONTROLLING ENGINEERING ORGANIZATION SHOULD BE CONTACTED FOR THE LATEST REVISION.

DO NOT SCALE PRINT. UNLESS SPECIFIED DIMENSIONS IN mm (INCHES)		DR 11-4-93 K. WHITAKER		770343-1 PART NO	
TOLERANCES ON:		CHK 11-4-93 R. SWING		AMP AMP Incorporated Harrisburg, PA 17105-3608	
2 PLC DEC ± 0.13		APPD 11-4-93 C. CASH		NAME	
3 PLC DEC ± -		APPD 11-4-93 C. CASH		RECEPTACLE, PANEL MOUNT, 2 CIRCUIT, .062 PIN AND SOCKET	
ANGLES ± 1°0'		APPD 11-4-93 C. CASH		PRODUCT SPEC	
MATERIAL		APPLICATION SPEC		SIZE	
NYLON, UL 94V-2 NATURAL		-		D 00779	
FINISH		-		CAGE CODE	
-		-		C-770343	
WEIGHT		-		DRAWING NO	
-		-		C-770343	
-		-		SCALE	
-		-		5:1	
-		-		SHEET	
-		-		1 OF 1	