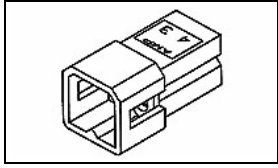


770355-1 Product Details



770355-1

TE Internal Number: 770355-1



.062" Commercial Pin & Socket Connector

 Always EU RoHS/ELV Compliant (Statement of Compliance)

Product Highlights:

- Wire-to-Wire
- Connector
- Connector Style = Plug
- Contact - Rated Current = 6 A
- Contact Transmits (Typical Application) Power, Contact Transmits (Typical Application) Signal (Data), Contact Transmits (Typical Application) Signal (Data)/Power

Documentation & Additional Information

Product Drawings:

- [PLUG, 6 CIRCUIT, .062 PIN AND SOCKET](#) (PDF, English)

Catalog Pages/Data Sheets:

- [SOFT_SHELL_PIN_AND_SOCKET_CONNECTORS_CATALOG](#) (PDF, English)

Product Specifications:

- [.062 Diameter Pin and Socket Terminal](#) (PDF, English)

Application Specifications:

- [.062 Diameter Pin and Socket Contacts and Housings](#) (PDF, English)

Instruction Sheets:

- None Available

CAD Files: [\(CAD Format & Compression Information\)](#)

- [2D Drawing](#) (DXF, Version F)
- [3D Model](#) (IGES, Version F)
- [3D Model](#) (STEP, Version F)

Additional Information:

- [Product Line Information](#)

Related Products:

- [Tooling](#)
- [Mating Products \(2\)](#)
- [Contacts \(20\)](#)

Product Features (Please use the Product Drawing for all design activity)

Product Type Features:

- Product Type = Connector
- Strain Relief = Without
- Wire/Cable Type = Discrete Wire
- Termination Method to Wire/Cable = Crimp
- Shrouded = Yes
- Sealed = No
- UL File Number = E28476
- CSA File Number = LR 7189

Mechanical Attachment:

- Panel Mount Retention = Without
- Mating Retention Type = Detent Lock

Electrical Characteristics:

- Contact - Rated Current (A) = 6
- Operating Voltage Reference = AC/DC
- Operating Voltage (VAC) = 250
- Operating Voltage (VDC) = 250

Termination Features:

- Wire/Cable Size (AWG) = 18 - 30
- Wire/Cable Size (mm²) = 0.2 - 0.9
- Wire/Cable Size (CMA) = 394.71 - 1,776.17

Dimensions:

- Length (X-Axis) (mm [in]) = 19.05 [0.750]
- Width (Z-Axis) (mm [in]) = 11.30 [0.445]
- Profile Height (Y-Axis) (mm [in]) = 15.24 [0.5999]

Body Features:

- Mating Retention = With
- Row-to-Row Spacing (mm [in]) = 3.68 [0.145]

Housing Features:

- Connector Style = Plug
- Housing Color = Natural
- Mating Alignment = With
- Centerline (mm [in]) = 3.68 [0.145]
- Mating Alignment Type = Polarization
- Housing Material = Nylon
- UL Flammability Rating = UL 94V-2

Configuration Features:

- Number of Positions = 6
- Number of Rows = 2
- Number of Columns = 3

Industry Standards:

- [RoHS/ELV Compliance](#) = RoHS compliant, ELV compliant
- [Lead Free Solder Processes](#) = Not relevant for lead free process
- RoHS/ELV Compliance History = Always was RoHS compliant
- VDE Tested = No
- Agency/Standard = UL, CSA
- UL Rating = Recognized
- UL Voltage Rating (VAC) = 250
- UL Voltage Rating (VDC) = 250

Environmental:

- Operating Temperature (°C [°F]) = -55 - +105 [-67 - +221]

Conditions for Usage:

- Accepts Wire Insulation Diameter, Range (mm [in]) = 1.27 - 2.79 [0.050 - 0.110]

Operation/Application:

- Row-to-Row Spacing (mm [in]) = 5.08 [0.199]
- ESD Protection = Without

Contact Features:

- Contact Type = Pin or Socket

- Application Use = Wire-to-Wire
- Contact Transmits (Typical Application) = Power, Signal (Data), Signal (Data)/Power

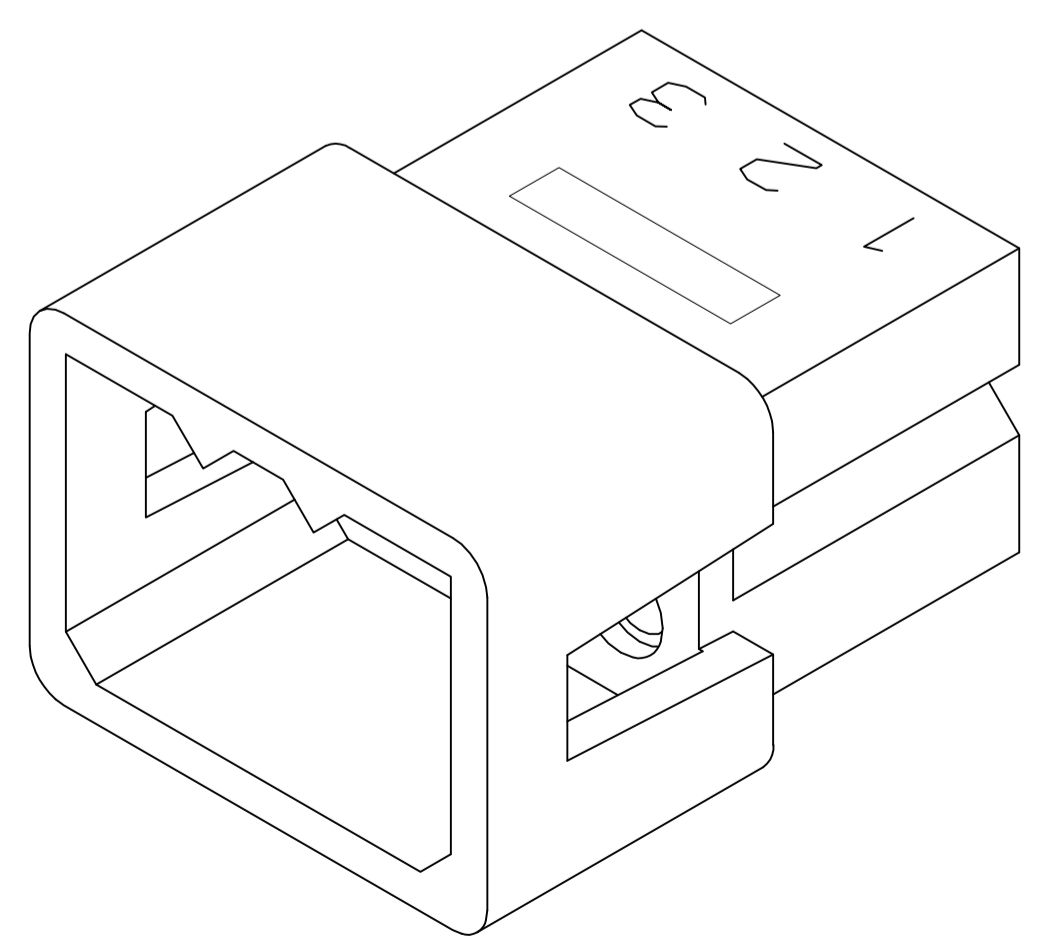
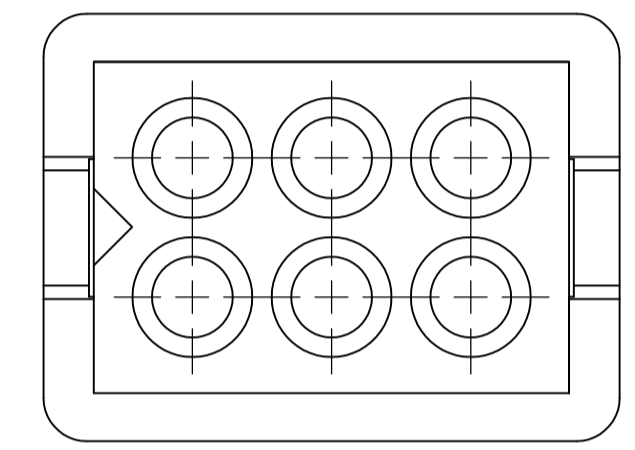
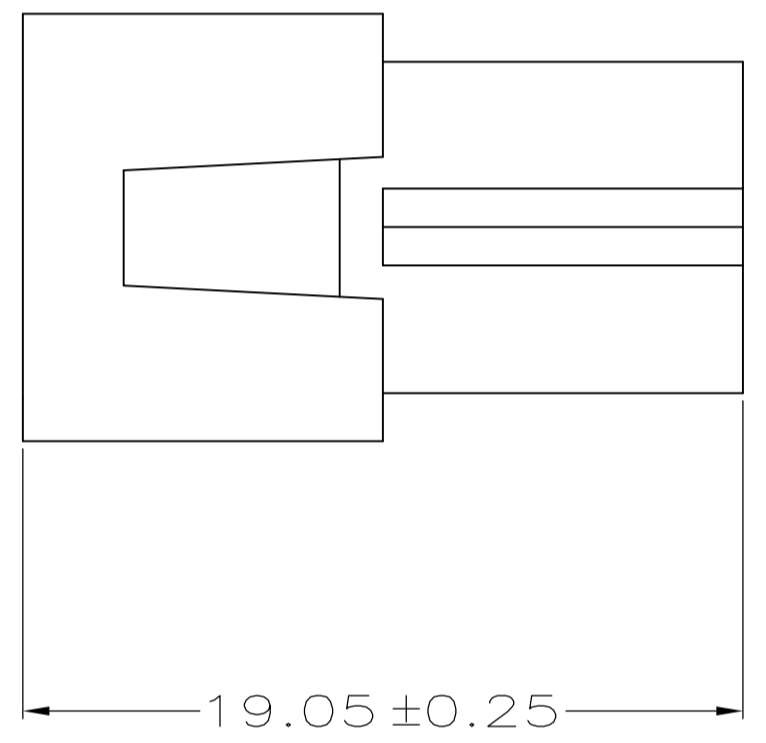
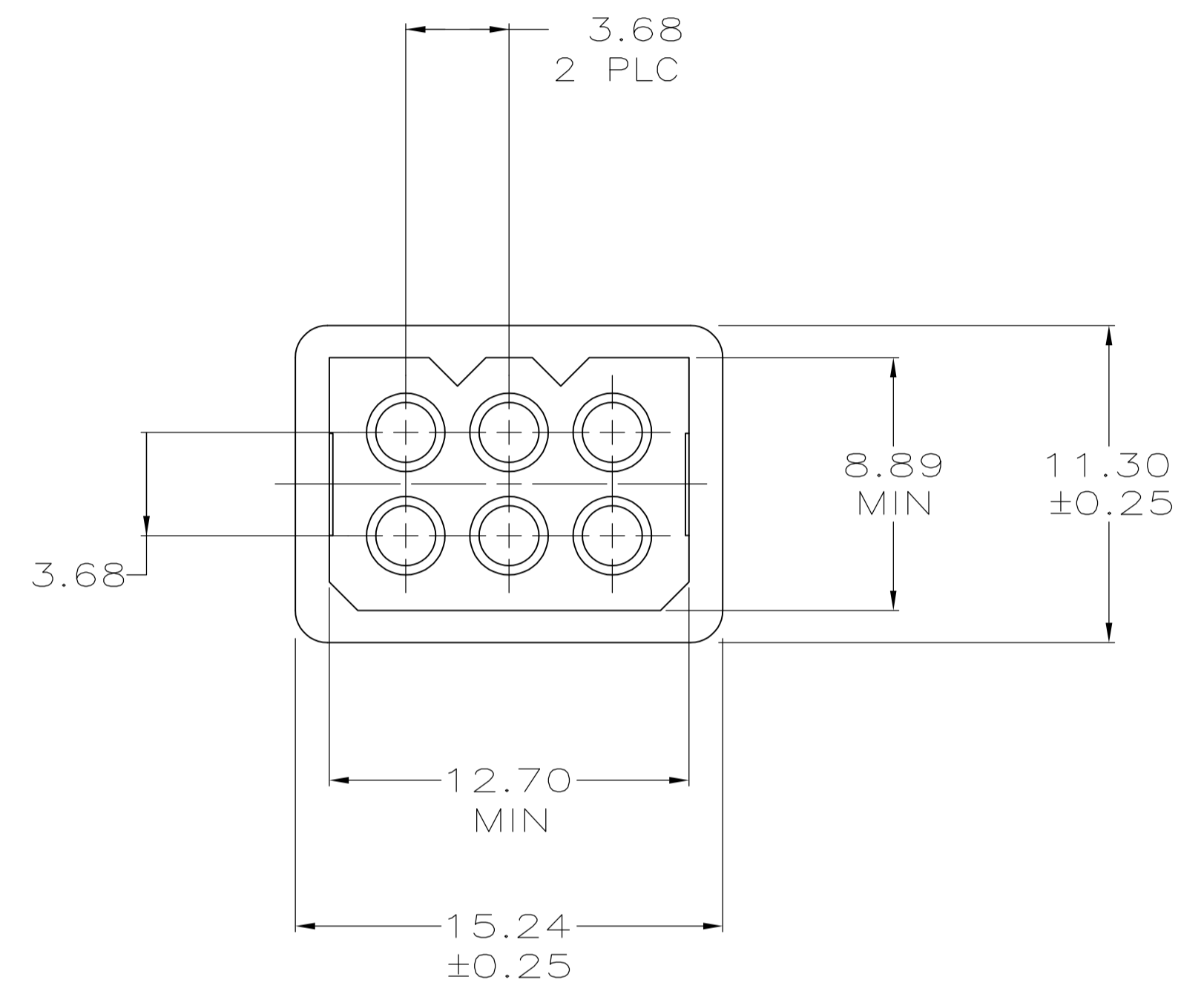
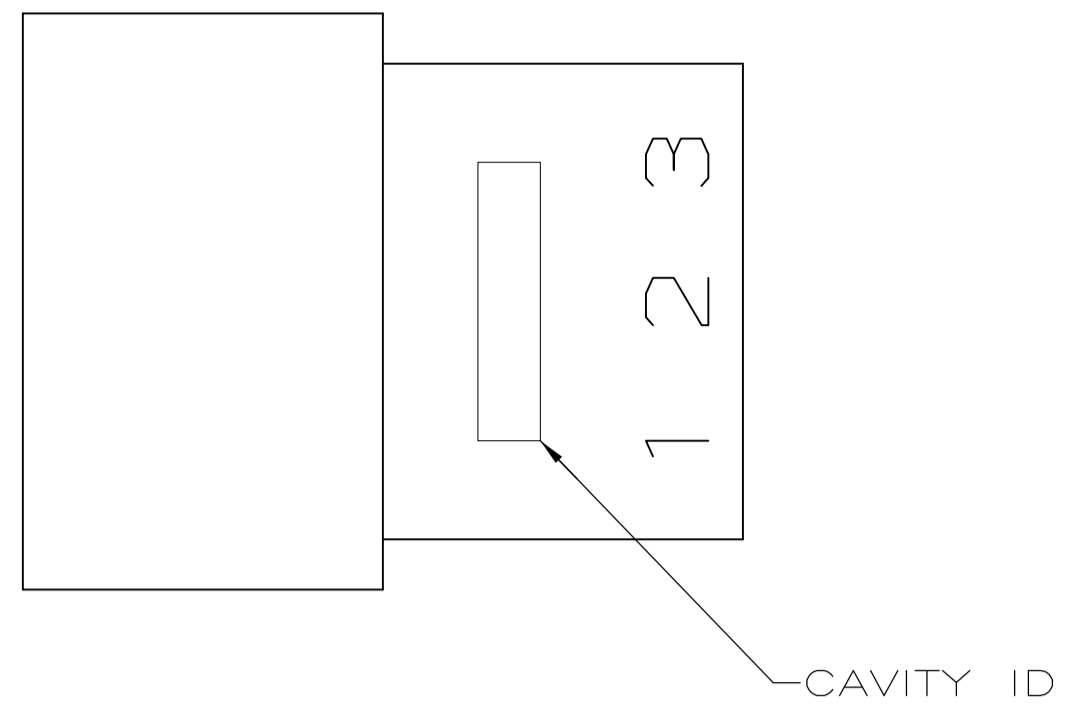
Packaging Features:

- Packaging Method = Loose Piece/Bulk

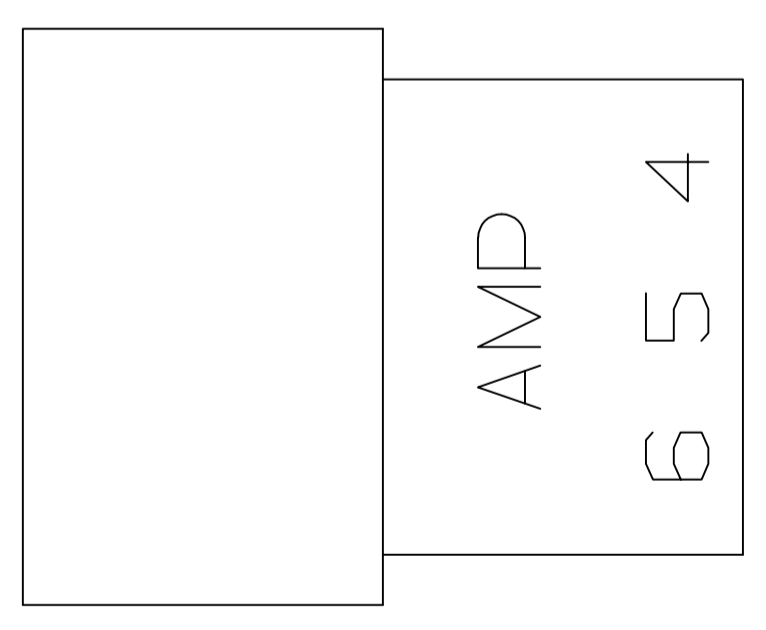
Other:

- Brand = AMP

△ PRELIMINARY - NOT FOR PRODUCTION.



3-DIMENSIONAL MODEL
NTS



19.05	.750
15.24	.600
12.70	.500
11.30	.445
8.89	.350
3.68	.145
1.58	.062
0.25	.010
0.13	.005
MM	IN

CONVERSION TABLE

METRIC

THIS DRAWING IS A CONTROLLED DOCUMENT.		DWN K. WHITAKER 10-02-96	Tyco Electronics Corporation Harrisburg, PA 17105-3608															
DIMENSIONS: mm		CHK R. SWING 10-02-96	NAME Tyco Electronics															
TOLERANCES UNLESS OTHERWISE SPECIFIED:		APVO C. CASH 10-09-96	PRODUCT SPEC															
<table border="1"> <tr><td>0 PLC</td><td>±</td><td>-</td></tr> <tr><td>1 PLC</td><td>±</td><td>-</td></tr> <tr><td>2 PLC</td><td>±</td><td>0.13</td></tr> <tr><td>3 PLC</td><td>±</td><td>-</td></tr> <tr><td>4 PLC</td><td>±</td><td>-</td></tr> </table>		0 PLC	±	-	1 PLC	±	-	2 PLC	±	0.13	3 PLC	±	-	4 PLC	±	-	APPLICATION SPEC	
0 PLC	±	-																
1 PLC	±	-																
2 PLC	±	0.13																
3 PLC	±	-																
4 PLC	±	-																
MATERIAL SEE TABLE		WEIGHT																
FINISH		RESTRICTED TO																
CUSTOMER DRAWING		SIZE A1	CAGE CODE 00779	DRAWING NO 770355														
SCALE 5:1		SHEET 1 of 1		REV C1														