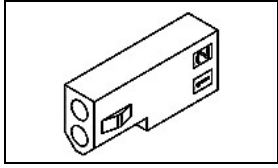


770356-1 Product Details



770356-1

TE Internal Number: 770356-1



Active

.062" Commercial Pin & Socket Connector

 Always EU RoHS/ELV Compliant (Statement of Compliance)

Product Highlights:

- Wire-to-Wire
- Connector
- Connector Style = Receptacle
- Contact - Rated Current = 6 A
- Contact Transmits (Typical Application) Power, Contact Transmits (Typical Application) Signal (Data), Contact Transmits (Typical Application) Signal (Data)/Power

Documentation & Additional Information

Product Drawings:

- [RECEPTACLE, 6 CIRCUIT, .062 PIN AND SOCKET](#) (PDF, English)

Catalog Pages/Data Sheets:

- [SOFT_SHELL_PIN_AND_SOCKET_CONNECTORS_CATALOG](#) (PDF, English)

Product Specifications:

- [.062 Diameter Pin and Socket Terminal](#) (PDF, English)

Application Specifications:

- [.062 Diameter Pin and Socket Contacts and Housings](#) (PDF, English)

Instruction Sheets:

- None Available

CAD Files: [\(CAD Format & Compression Information\)](#)

- [2D Drawing](#) (DXF, Version E)
- [3D Model](#) (IGES, Version E)
- [3D Model](#) (STEP, Version E)

Additional Information:

- [Product Line Information](#)

Related Products:

- [Tooling](#)
- [Mating Products \(2\)](#)
- [Contacts \(20\)](#)

Product Features (Please use the Product Drawing for all design activity)

Product Type Features:

- Product Type = Connector
- Strain Relief = Without
- Wire/Cable Type = Discrete Wire
- Termination Method to Wire/Cable = Crimp
- Shrouded = Yes
- Sealed = No
- UL File Number = E28476
- CSA File Number = LR 7189

Mechanical Attachment:

- Panel Mount Retention = Without
- Mating Retention Type = Detent Lock

Electrical Characteristics:

- Contact - Rated Current (A) = 6
- Operating Voltage Reference = AC/DC
- Operating Voltage (VAC) = 250
- Operating Voltage (VDC) = 250

Termination Features:

- Wire/Cable Size (AWG) = 18 - 30
- Wire/Cable Size (mm²) = 0.2 - 0.9
- Wire/Cable Size (CMA) = 394.71 - 1,776.17

Dimensions:

- Length (X-Axis) (mm [in]) = 19.94 [0.785]
- Width (Z-Axis) (mm [in]) = 8.76 [0.345]
- Profile Height (Y-Axis) (mm [in]) = 12.57 [0.495]

Body Features:

- Mating Retention = With
- Row-to-Row Spacing (mm [in]) = 3.68 [0.145]

Housing Features:

- Connector Style = Receptacle
- Housing Color = Natural
- Mating Alignment = With
- Centerline (mm [in]) = 3.68 [0.145]
- Mating Alignment Type = Polarization
- Housing Material = Nylon
- UL Flammability Rating = UL 94V-2

Configuration Features:

- Number of Positions = 6
- Number of Rows = 2
- Number of Columns = 3

Industry Standards:

- [RoHS/ELV Compliance](#) = RoHS compliant, ELV compliant
- [Lead Free Solder Processes](#) = Not relevant for lead free process
- RoHS/ELV Compliance History = Always was RoHS compliant
- VDE Tested = No
- Agency/Standard = UL, CSA
- UL Rating = Recognized
- UL Voltage Rating (VAC) = 250
- UL Voltage Rating (VDC) = 250

Environmental:

- Operating Temperature (°C [°F]) = -55 - +105 [-67 - +221]

Conditions for Usage:

- Accepts Wire Insulation Diameter, Range (mm [in]) = 1.27 - 2.79 [0.050 - 0.110]

Operation/Application:

- Row-to-Row Spacing (mm [in]) = 5.08 [0.199]
- ESD Protection = Without

Contact Features:

- Contact Type = Pin or Socket

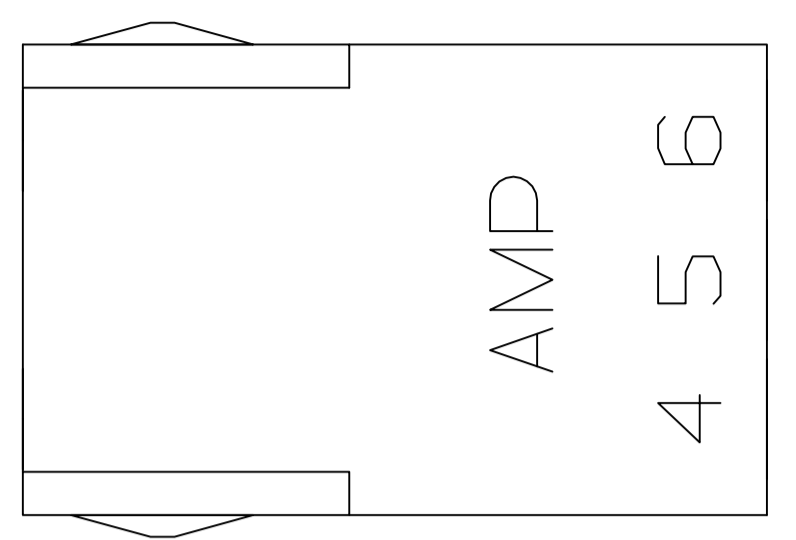
- Application Use = Wire-to-Wire
- Contact Transmits (Typical Application) = Power, Signal (Data), Signal (Data)/Power

Packaging Features:

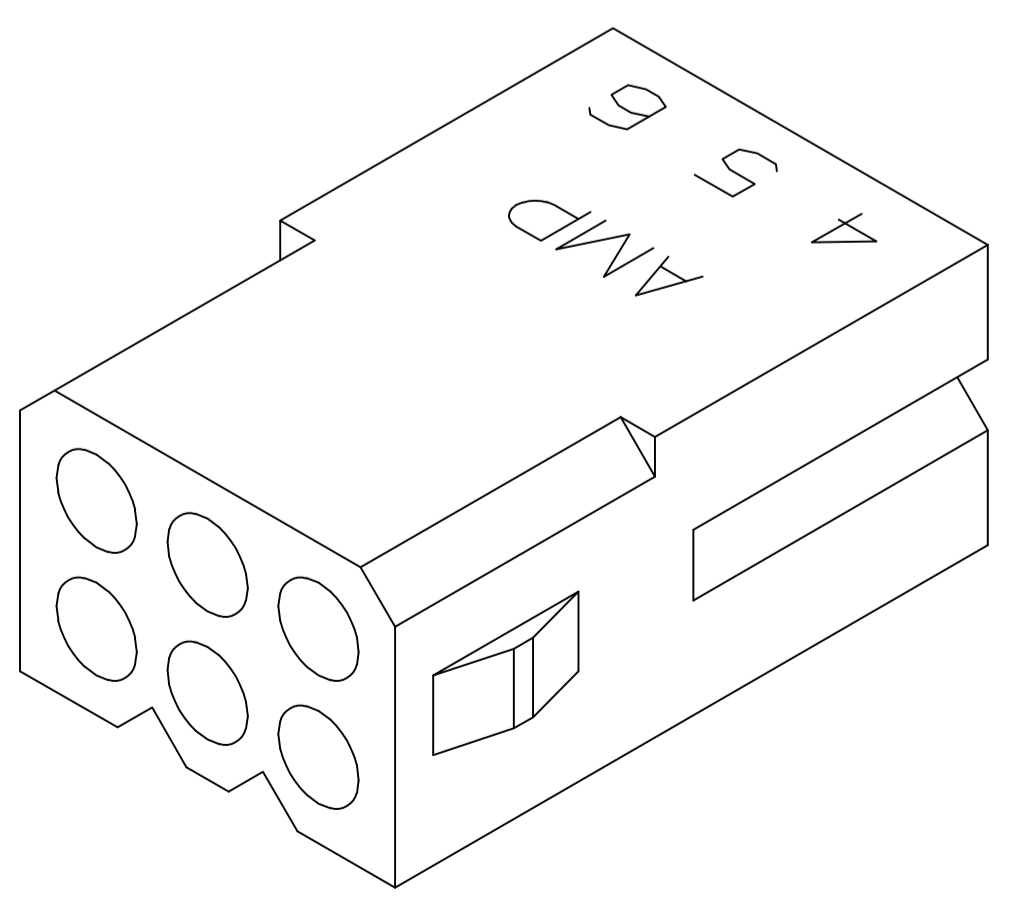
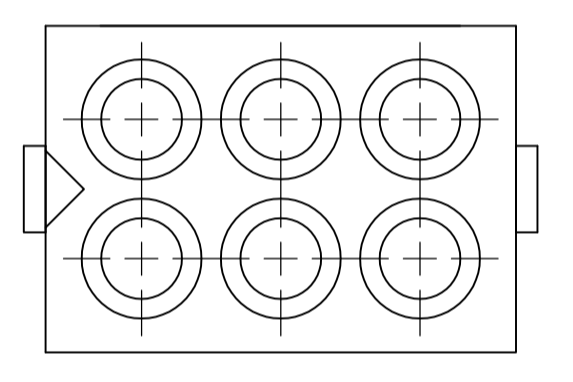
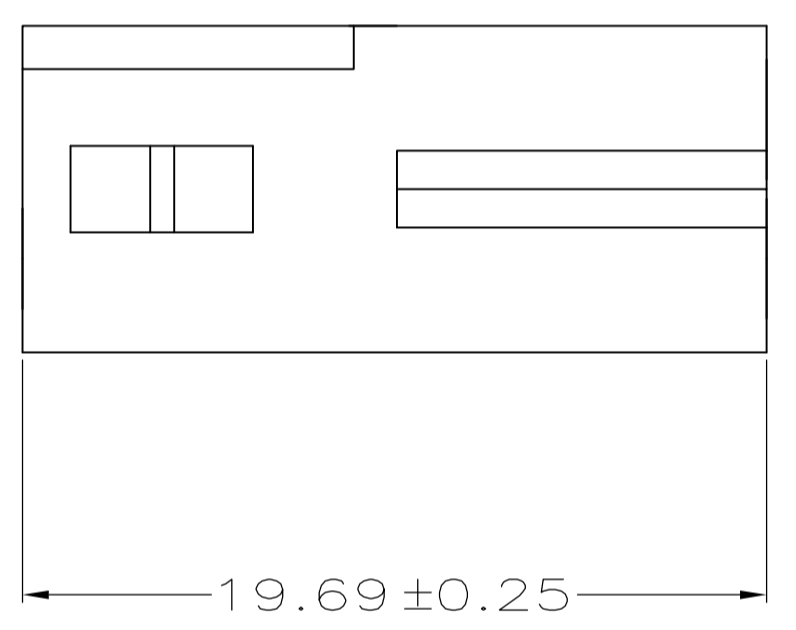
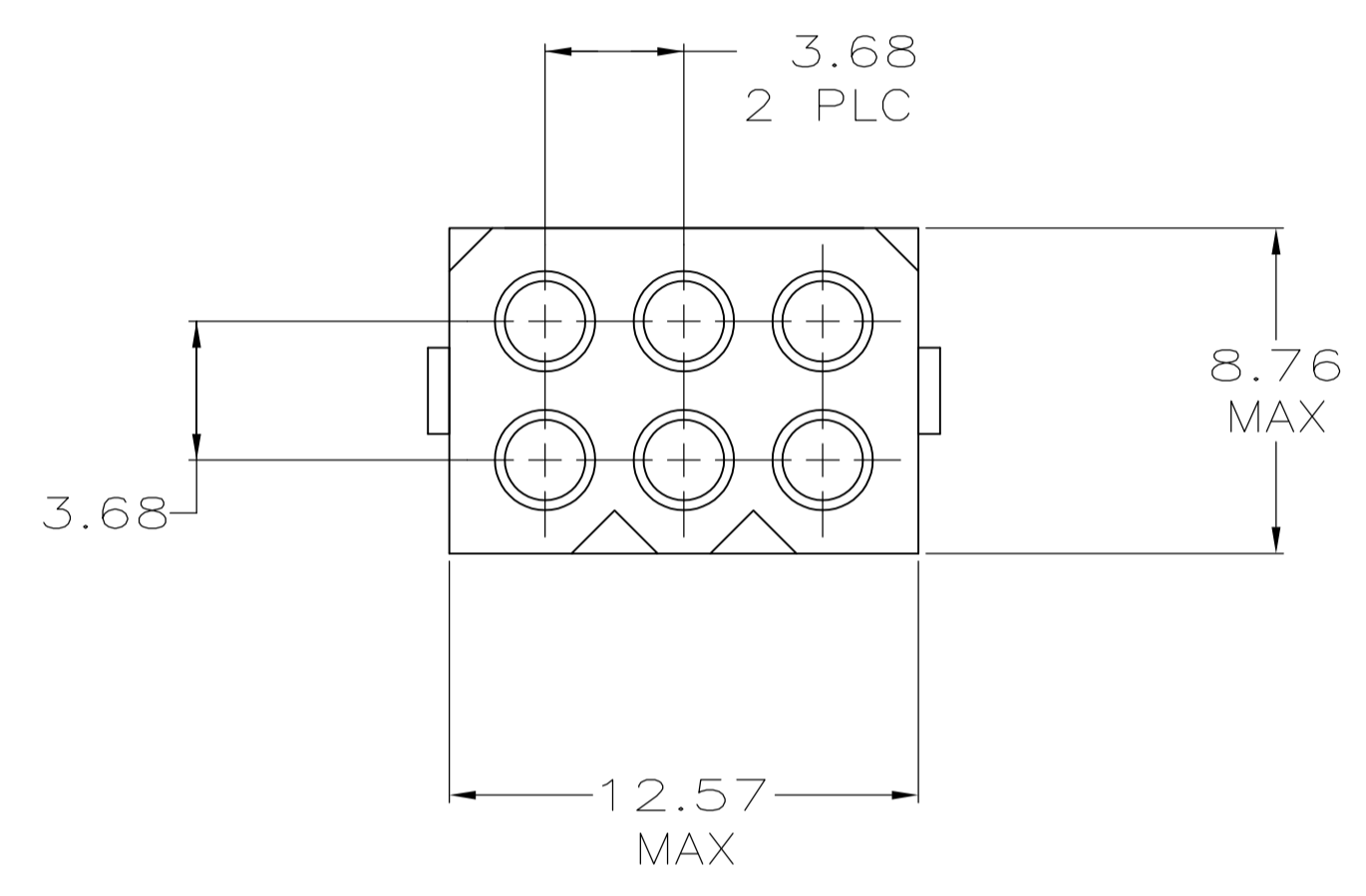
- Packaging Method = Loose Piece/Bulk

Other:

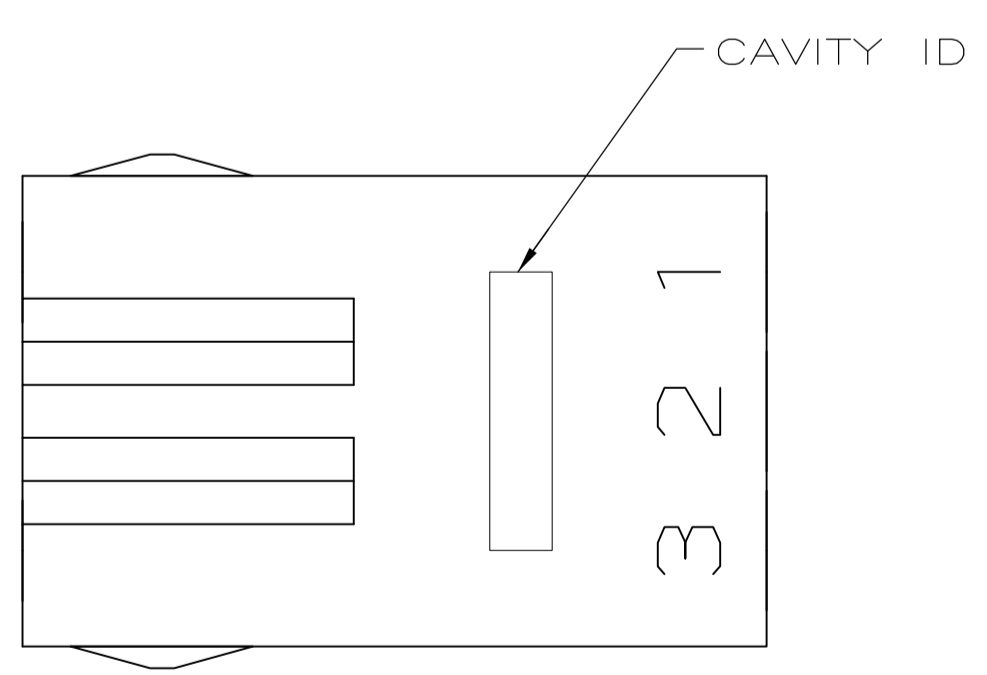
- Brand = AMP



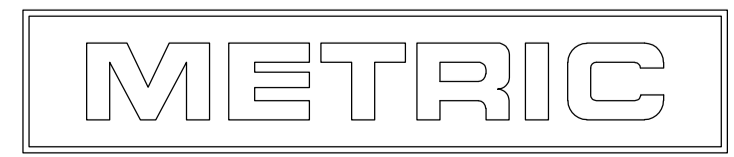
⚠ PRELIMINARY - NOT FOR PRODUCTION.



3-DIMENSIONAL MODEL
NTS



19.69	.775
12.57	.495
8.76	.345
3.68	.145
1.58	.062
0.25	.010
0.13	.005
MM	IN
CONVERSION TABLE	



THIS DRAWING IS A CONTROLLED DOCUMENT.		DIN	10-02-96
DIMENSIONS: mm		K. WHITAKER	10-02-96
TOLERANCES UNLESS OTHERWISE SPECIFIED:		R. SWING	10-02-96
0. PLC	± -	C. CASH	10-09-96
1. PLC	± -	NAME	
2. PLC	± 0.13	RECEPTACLE, 6 CIRCUIT, .062 PIN AND SOCKET	
3. PLC	± -	SIZE	A1
4. PLC	± -	SCALE	5:1
ANGLES	± -	WEIGHT	-
MATERIAL SEE TABLE		FINISH	-
CUSTOMER DRAWING		RESTRICTED TO	-

VO NYLON, NATURAL	770356-2
V2 NYLON, NATURAL	770356-1
PART NUMBER	PART NUMBER
Tyco Electronics Corporation Harrisburg, PA 17105-3608	
SCALE 5:1 SHEET 1 OF 1 REV C1	