

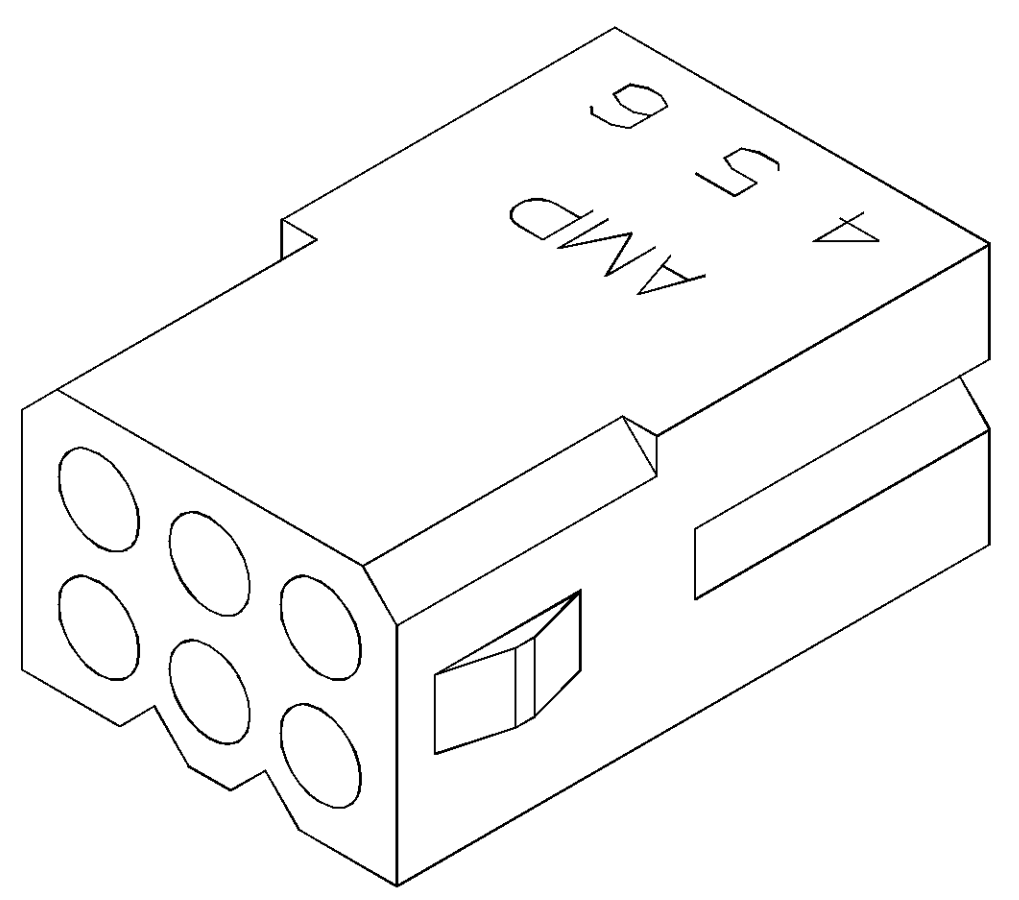
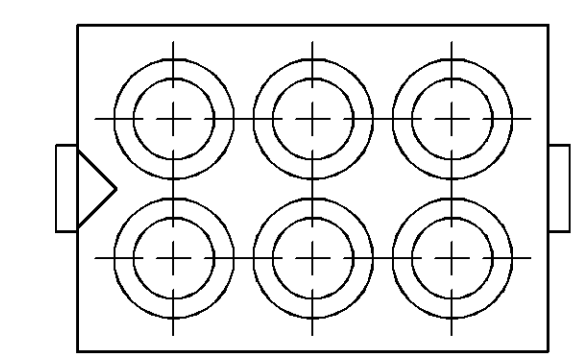
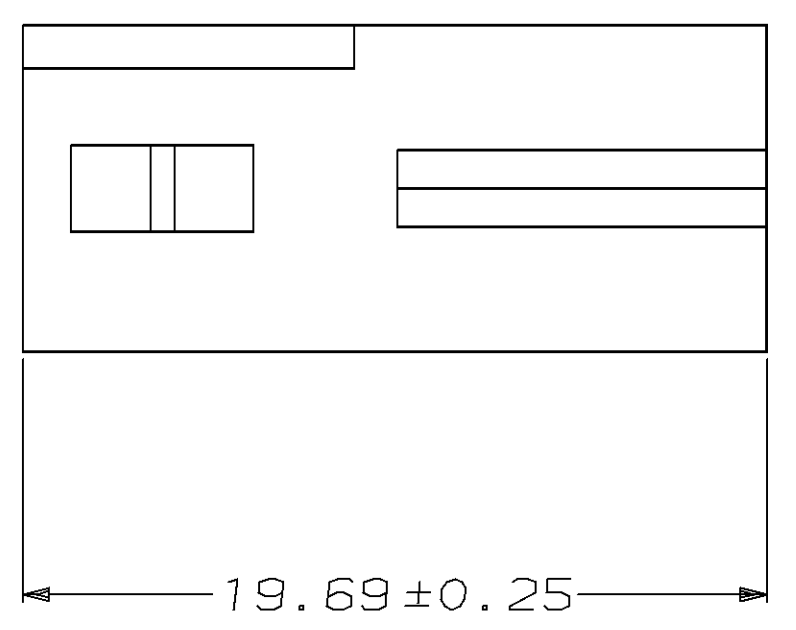
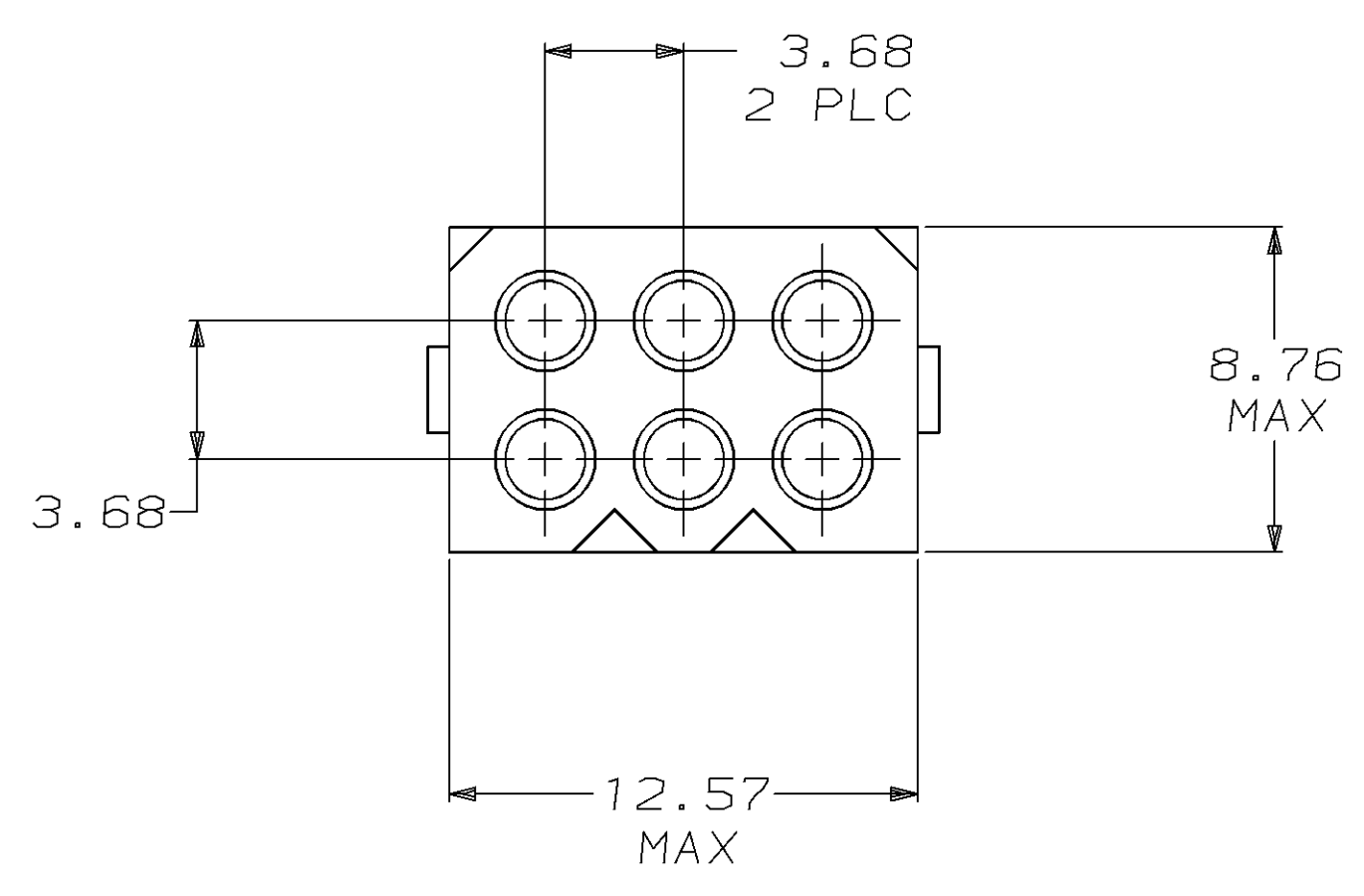
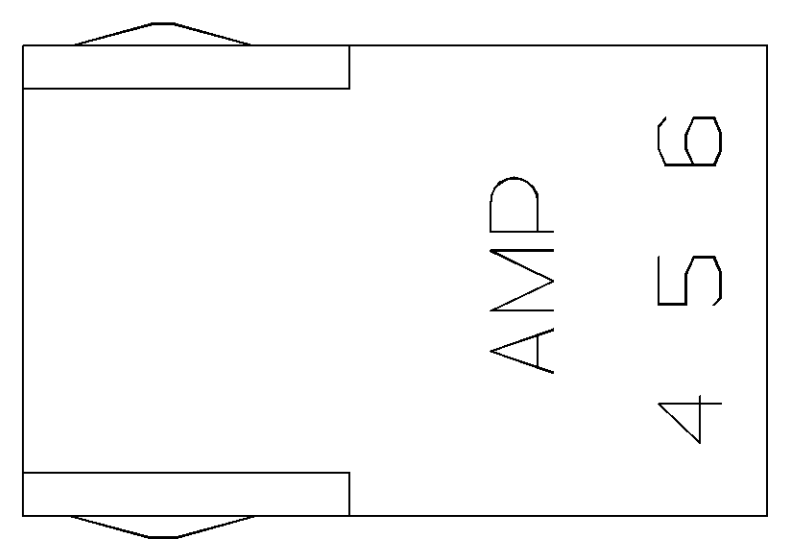
Distributed by:

JAMECO[®]
ELECTRONICS

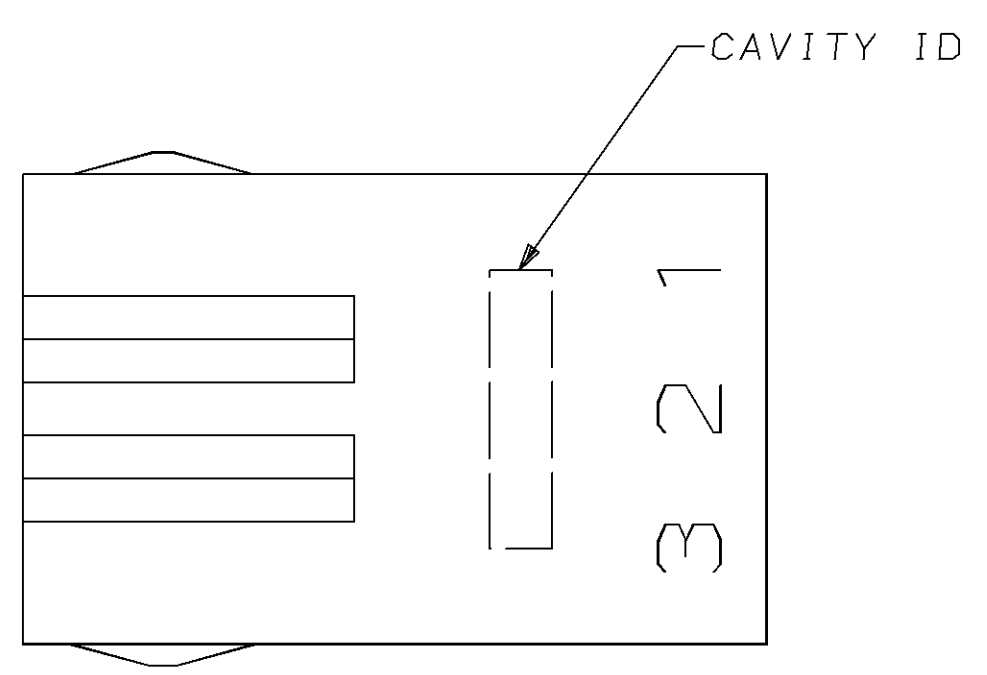
www.Jameco.com ♦ 1-800-831-4242

The content and copyrights of the attached
material are the property of its owner.

Jameco Part Number 758938

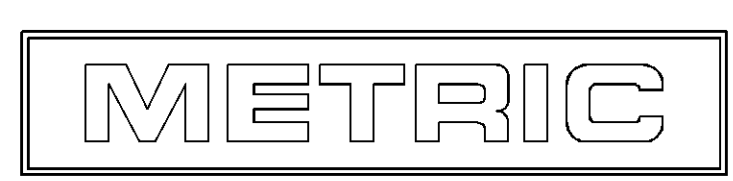


3-DIMENSIONAL MODEL
NTS



19.69	.775
12.57	.495
8.76	.345
3.68	.145
1.58	.062
0.25	.010
0.13	.005
MM	IN

CONVERSION TABLE



770356-1
PART NUMBER

THIS DRAWING IS A CONTROLLED DOCUMENT.		DWN K. WHITAKER	10-02-96	AMP Incorporated Harrisburg, PA 17105-3608
DIMENSIONS: mm		CHK R. SWING	10-02-96	
TOLERANCES UNLESS OTHERWISE SPECIFIED:		APVD C. CASH	10-09-96	NAME RECEPTACLE, 6 CIRCUIT, .062 PIN AND SOCKET
0 PLC ±- 1 PLC ±- 2 PLC ±0.13 3 PLC ±- 4 PLC ±- ANGLES ±-		PRODUCT SPEC		SIZE A1
MATERIAL NYLON, UL 94V-2, NATURAL		APPLICATION SPEC		CASE CODE 00779
FINISH -		WEIGHT -		DRAWING NO 770356
		CUSTOMER DRAWING		SCALE 5:1 SHEET 1 OF 1 REV C