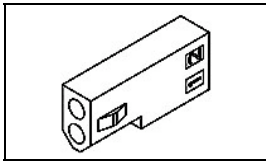


## 770429-1 Product Details

[Share](#) [Print](#) [Email](#)



**770429-1**

TE Internal Number: 770429-1

Active

[View 3D PDF](#)

### .062" Commercial Pin & Socket Connector

Always EU RoHS/ELV Compliant (Statement of Compliance)

**Product Highlights:**

- Wire-to-Wire Connector
- Connector Style = Receptacle
- Contact - Rated Current = 5 A
- Contact Transmits (Typical Application) Power, Contact Transmits (Typical Application) Signal (Data), Contact Transmits (Typical Application) Signal (Data)/Power

[View all Features](#)

### Quick Links

- ▶ [Pricing & Availability](#)
- ▶ [Search for Tooling](#)
- ▶ [View Mating Products \(2\)](#)
- ▶ [View Contacts \(20\)](#)
- ▶ [Product Feature Selector](#)
- ▶ [Contact Us About This Product](#)

[Add to My Part List](#) [Request Sample](#) [Find Similar Products](#) [Buy Product](#)

Documentation & Additional Information	
<p><b>Product Drawings:</b></p> <ul style="list-style-type: none"> <li>• <a href="#">RECEPTACLE,PANEL MOUNT,9 CIRCUIT</a>, (PDF, English)</li> </ul> <p><b>Catalog Pages/Data Sheets:</b></p> <ul style="list-style-type: none"> <li>• <a href="#">SOFT_SHELL_PIN_AND_SOCKET_CONNECTORS_CATALOG</a> (PDF, English)</li> </ul> <p><b>Product Specifications:</b></p> <ul style="list-style-type: none"> <li>• <a href="#">.062 Diameter Pin and Socket Terminal</a> (PDF, English)</li> </ul> <p><b>Application Specifications:</b></p> <ul style="list-style-type: none"> <li>• <a href="#">.062 Diameter Pin and Socket Contacts and Housings</a> (PDF, English)</li> </ul> <p><b>Instruction Sheets:</b></p> <ul style="list-style-type: none"> <li>• None Available</li> </ul> <p><b>CAD Files:</b> (CAD Format &amp; Compression Information)</p> <ul style="list-style-type: none"> <li>• <a href="#">2D Drawing</a> (DXF, Version C)</li> <li>• <a href="#">3D Model</a> (IGES, Version C)</li> <li>• <a href="#">3D Model</a> (STEP, Version C)</li> </ul>	<p><b>Additional Information:</b></p> <ul style="list-style-type: none"> <li>• <a href="#">Product Line Information</a></li> </ul> <p><b>Related Products:</b></p> <ul style="list-style-type: none"> <li>• <a href="#">Tooling</a></li> <li>• <a href="#">Mating Products (2)</a></li> <li>• <a href="#">Contacts (20)</a></li> </ul>

[List all Documents](#)

Product Features (Please use the Product Drawing for all design activity)	
<p><b>Product Type Features:</b></p> <ul style="list-style-type: none"> <li>• Product Type = Connector</li> <li>• Wire/Cable Type = Discrete Wire</li> <li>• Sealed = No</li> <li>• UL File Number = E28476</li> <li>• CSA File Number = LR 7189</li> </ul> <p><b>Mechanical Attachment:</b></p> <ul style="list-style-type: none"> <li>• Panel Mount Retention = Without</li> <li>• Mating Retention Type = Detent Lock</li> </ul> <p><b>Electrical Characteristics:</b></p> <ul style="list-style-type: none"> <li>• Contact - Rated Current (A) = 5</li> <li>• Operating Voltage Reference = AC/DC</li> <li>• Operating Voltage (VAC) = 250</li> <li>• Operating Voltage (VDC) = 250</li> </ul> <p><b>Termination Features:</b></p> <ul style="list-style-type: none"> <li>• Wire/Cable Size (AWG) = 18 - 30</li> <li>• Wire/Cable Size (mm<sup>2</sup>) = 0.2 - 0.9</li> <li>• Wire/Cable Size (CMA) = 394.71 - 1,776.17</li> <li>• Termination Method to Wire/Cable = Crimp</li> </ul> <p><b>Dimensions:</b></p> <ul style="list-style-type: none"> <li>• Length (X-Axis) (mm [in]) = 20.07 [0.790]</li> <li>• Width (Z-Axis) (mm [in]) = 12.45 [0.4901]</li> <li>• Profile Height (Y-Axis) (mm [in]) = 12.57 [0.495]</li> </ul> <p><b>Body Features:</b></p> <ul style="list-style-type: none"> <li>• Mating Retention = With</li> <li>• Row-to-Row Spacing (mm [in]) = 3.68 [0.145]</li> <li>• ESD Protection = Without</li> </ul>	<p><b>Configuration Features:</b></p> <ul style="list-style-type: none"> <li>• Number of Positions = 9</li> <li>• Number of Rows = 3</li> <li>• Number of Columns = 3</li> <li>• Strain Relief = Without</li> <li>• Shrouded = Yes</li> </ul> <p><b>Industry Standards:</b></p> <ul style="list-style-type: none"> <li>• <a href="#">RoHS/ELV Compliance</a> = RoHS compliant, ELV compliant</li> <li>• <a href="#">Lead Free Solder Processes</a> = Not relevant for lead free process</li> <li>• RoHS/ELV Compliance History = Always was RoHS compliant</li> <li>• VDE Tested = No</li> <li>• Agency/Standard = UL, CSA</li> <li>• UL Rating = Recognized</li> <li>• UL Voltage Rating (VAC) = 250</li> <li>• UL Voltage Rating (VDC) = 250</li> </ul> <p><b>Environmental:</b></p> <ul style="list-style-type: none"> <li>• Operating Temperature (°C [°F]) = -55 - +105 [-67 - +221]</li> </ul> <p><b>Conditions for Usage:</b></p> <ul style="list-style-type: none"> <li>• Accepts Wire Insulation Diameter, Range (mm [in]) = 1.27 - 2.79 [0.050 - 0.110]</li> </ul> <p><b>Operation/Application:</b></p> <ul style="list-style-type: none"> <li>• Application Use = Wire-to-Wire</li> <li>• Contact Transmits (Typical Application) = Power, Signal (Data), Signal (Data)/Power</li> </ul> <p><b>Packaging Features:</b></p> <ul style="list-style-type: none"> <li>• Packaging Method = Loose Piece</li> </ul>

**Contact Features:**

- Contact Type = Pin or Socket

**Housing Features:**

- Connector Style = Receptacle
- Housing Color = Natural
- Mating Alignment = With
- Centerline (mm [in]) = 3.68 [0.145]
- Mating Alignment Type = Polarization
- Housing Material = Nylon
- UL Flammability Rating = UL 94V-2

**Other:**

- Brand = AMP

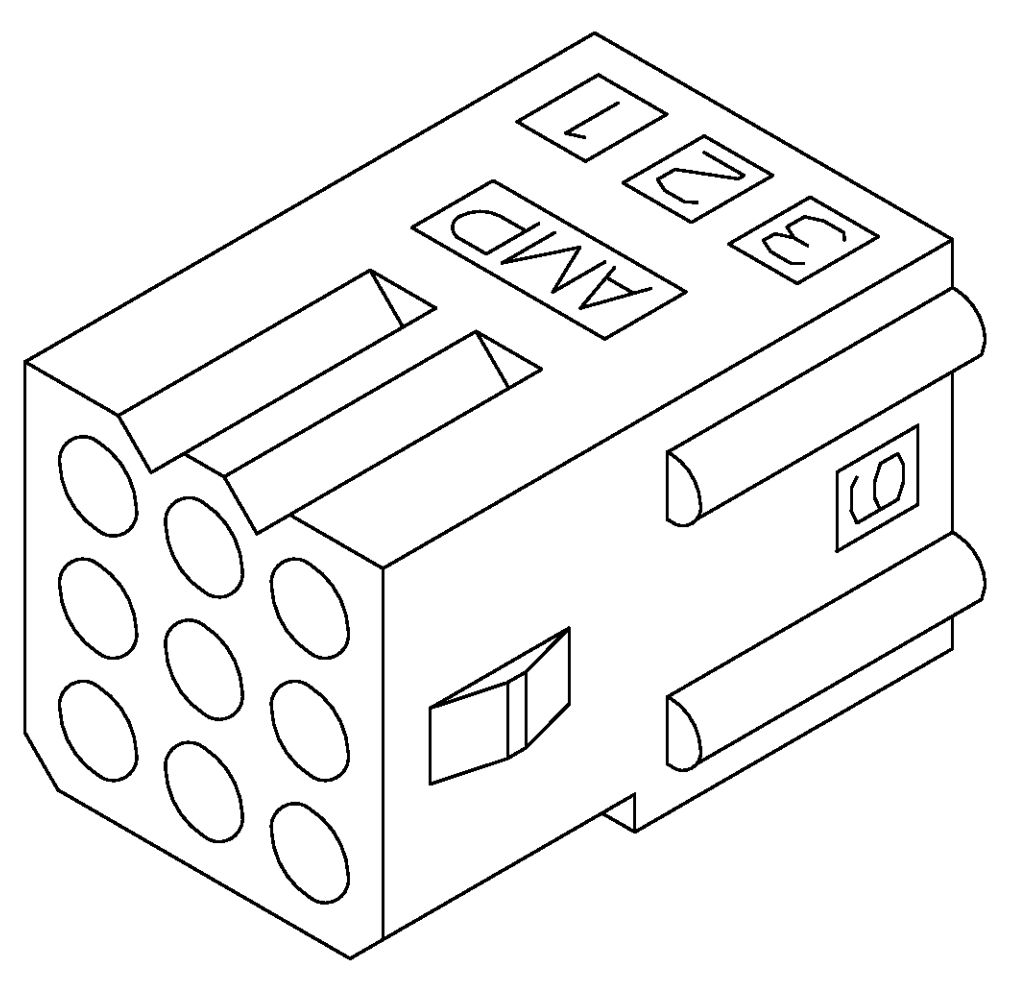
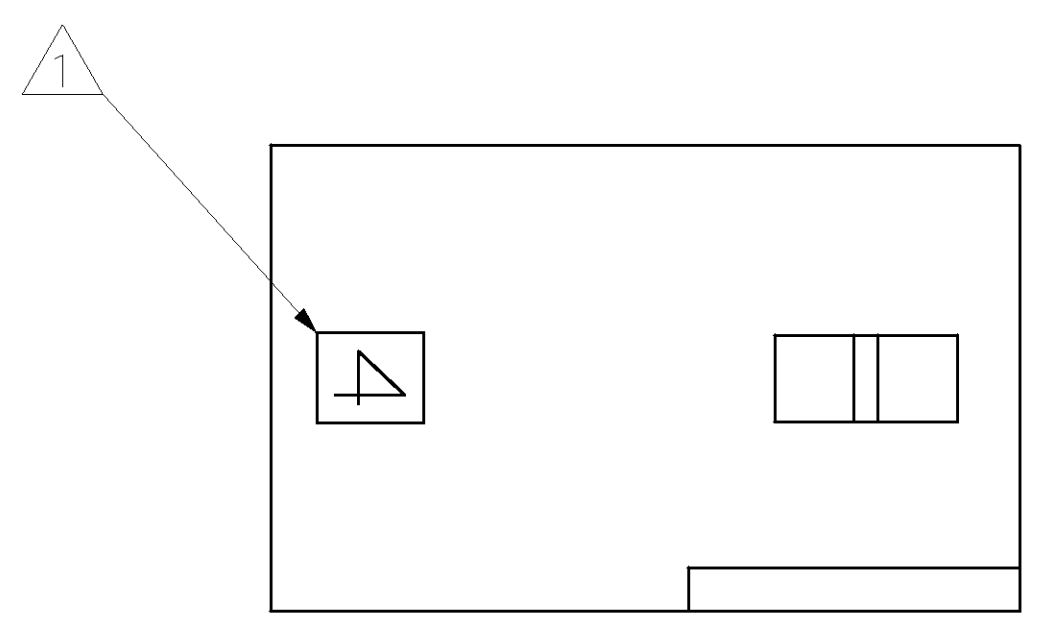
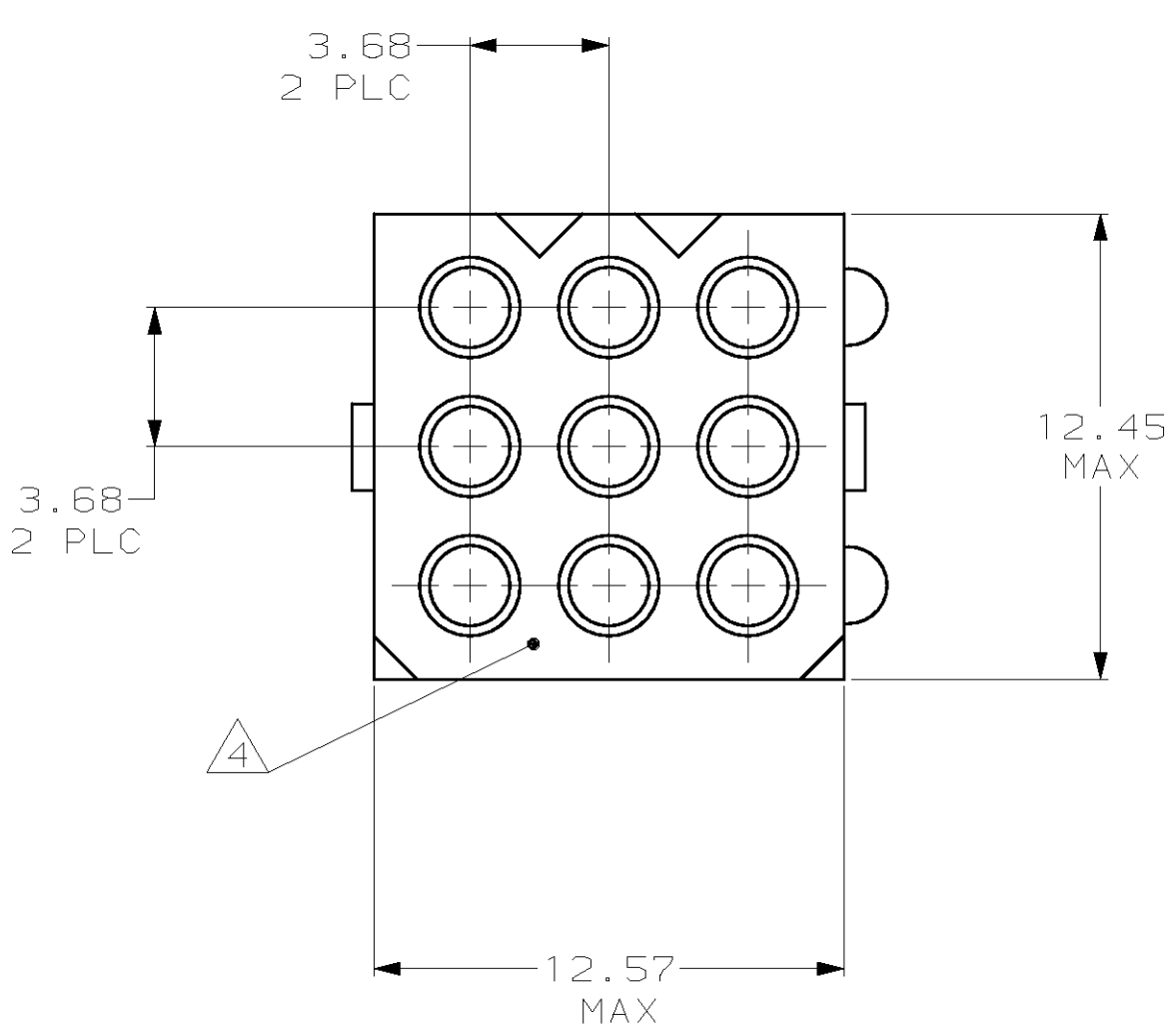
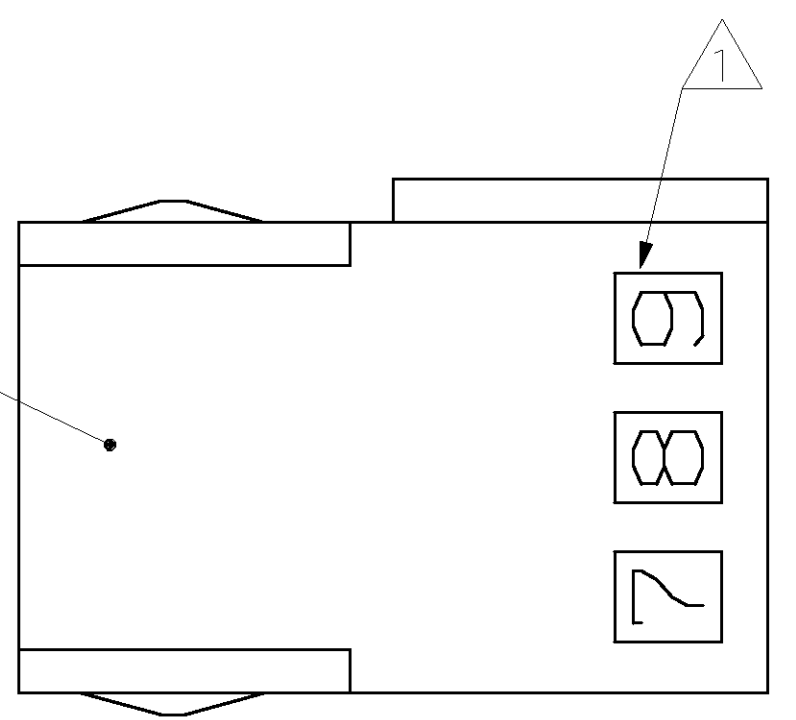
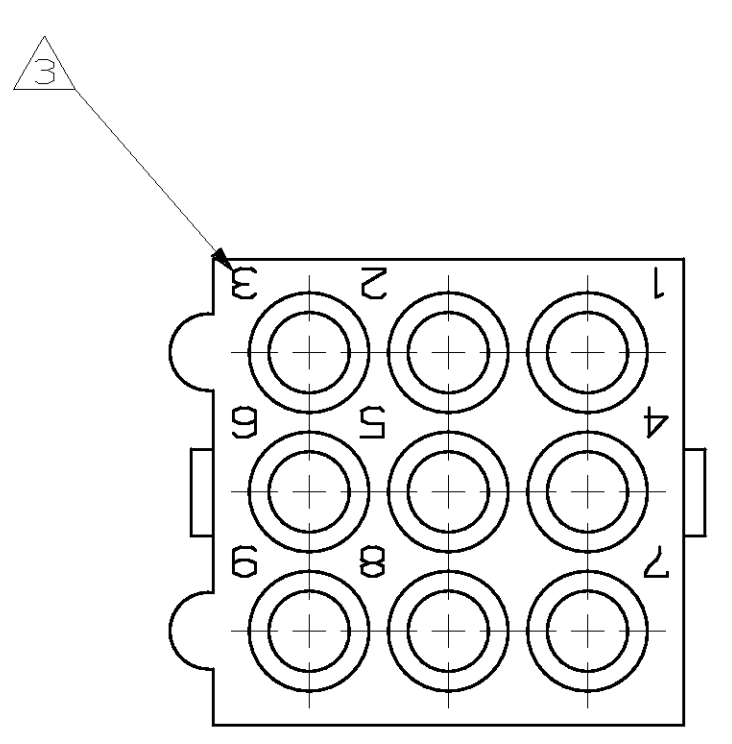
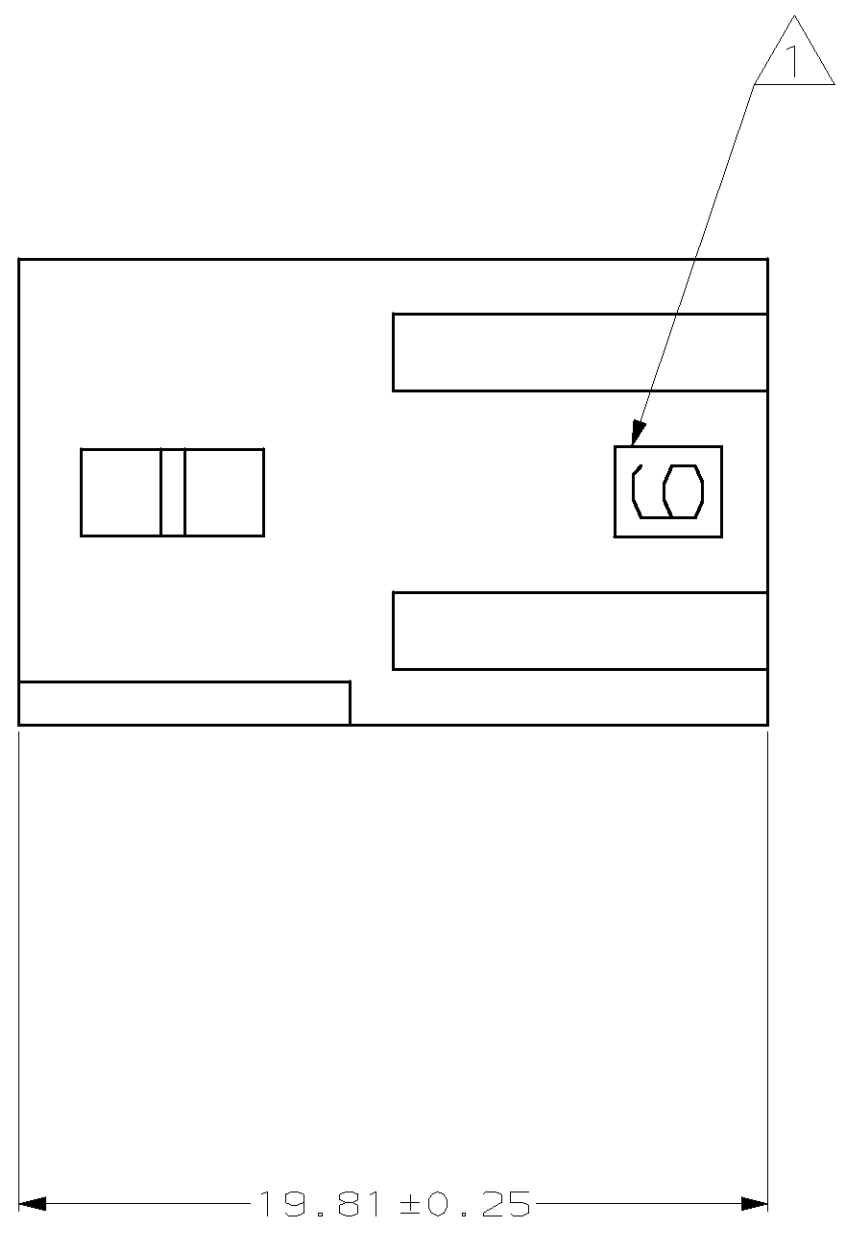
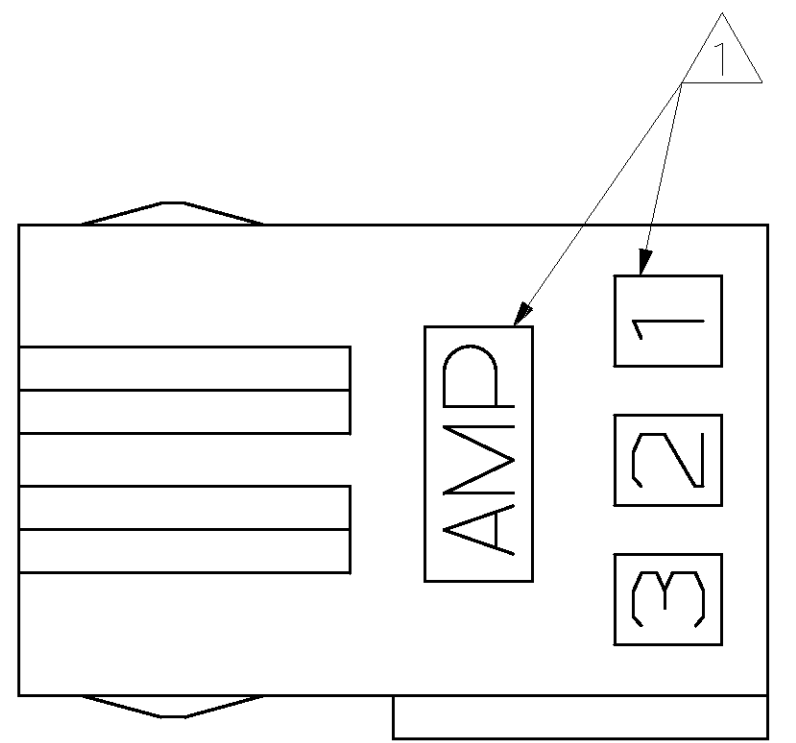
**Corporate Information**[About TE](#)[Investors](#)[News Room](#)[Supplier Portal](#)[Careers](#)[Terms & Conditions](#)[Privacy Policy](#)**Quick Links**[Distributor Inventory](#)[Product Cross Reference](#)[Documents & Drawings](#)[Product Compliance Support Center](#)[Site Map](#)**Customer Support**[Email or Chat With Us](#)[Find a Phone Number](#)[Knowledge Base](#)[Manage Your Account](#)**Keep Me Informed**

LOC	QTY	REV	DATE	BY	APPV
CM	53				

REVISIONS					
REV	DESCRIPTION	DATE	BY	APPV	
C	REV & REDWN PER EC OL30-0214-97	10-20-97	KW	RS	

- ① AMP LOGO AND CIRCUIT NUMBERS LOCATED APPROXIMATELY AS SHOWN.
- ② CSA LOGO AND UL LOGO LOCATED ON THIS SURFACE.
- ③ CIRCUIT NUMBERS MAY OR MAY NOT APPEAR.
- ④ AMP LOGO MAY OR MAY NOT APPEAR ON THIS SURFACE.



3-DIMENSIONAL MODEL NTS

MM	IN
19.81	.780
12.57	.495
12.45	.490
3.68	.145
1.58	.062
0.25	.010
0.13	.005

CONVERSION TABLE

770429-1  
PART NUMBER

**METRIC**

THIS DRAWING IS A CONTROLLED DOCUMENT.

DIMENSIONS:	TOLERANCES UNLESS OTHERWISE SPECIFIED:	OWN: K. WHITAKER 10-20-97	AMP Incorporated Harrisburg, PA 17105-3608
mm	9 PLC ±.010 2 PLC ±.010 3 PLC ±.013 4 PLC ±.010 ANGLES	CHK: R. SWING 10-20-97	AMP
MATERIAL: NYLON, JL 94V-2, NATURAL	FINISH: -	APVD: K. CORLE 10-20-97	RECEPTACLE, PANEL MOUNT, 9 CIRCUIT, .062 PIN AND SOCKET
CUSTOMER DRAWING		SCALE: 5:1	SHEET 1 OF 1 REV C