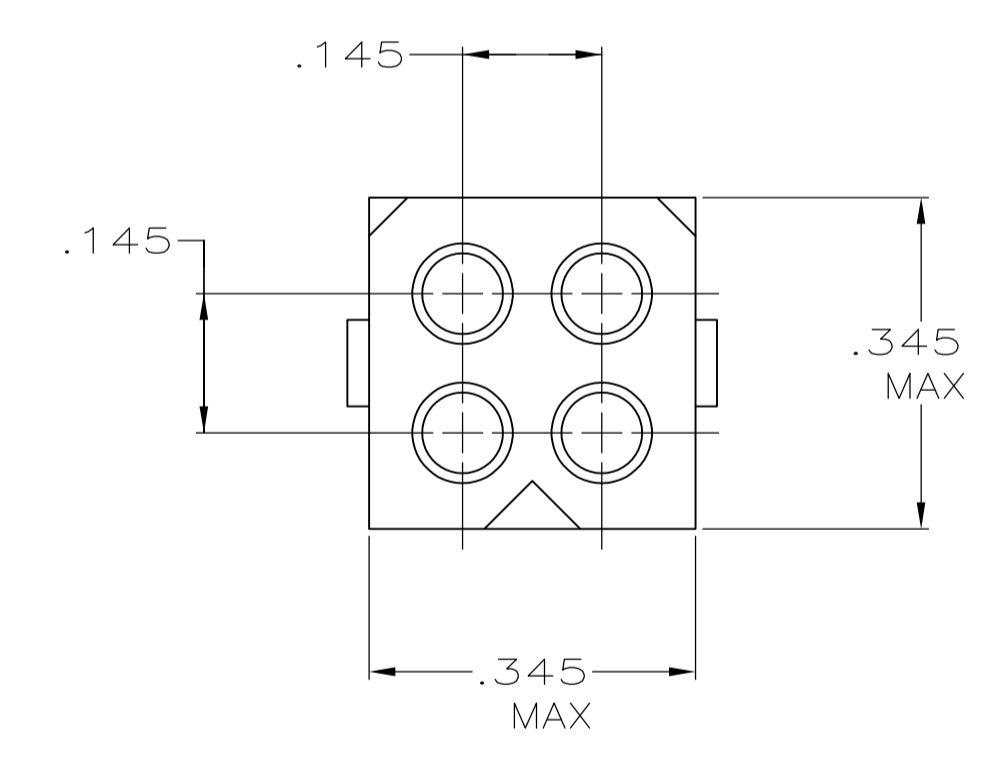
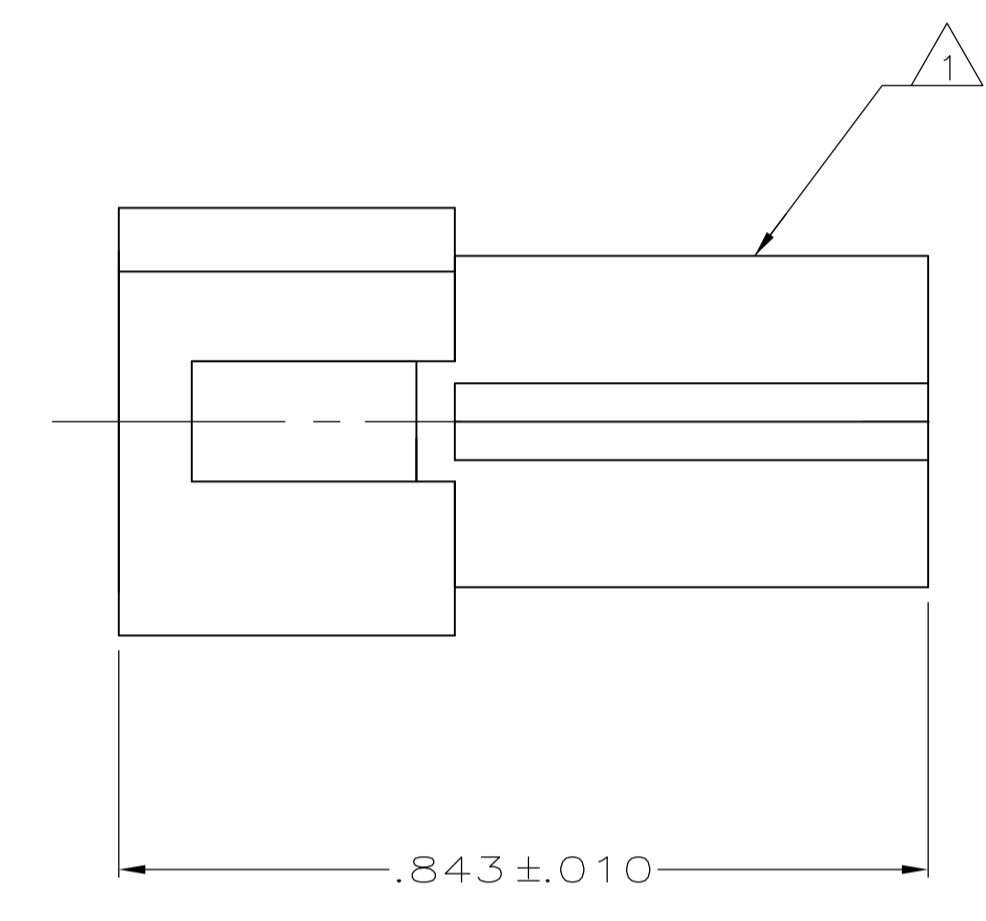
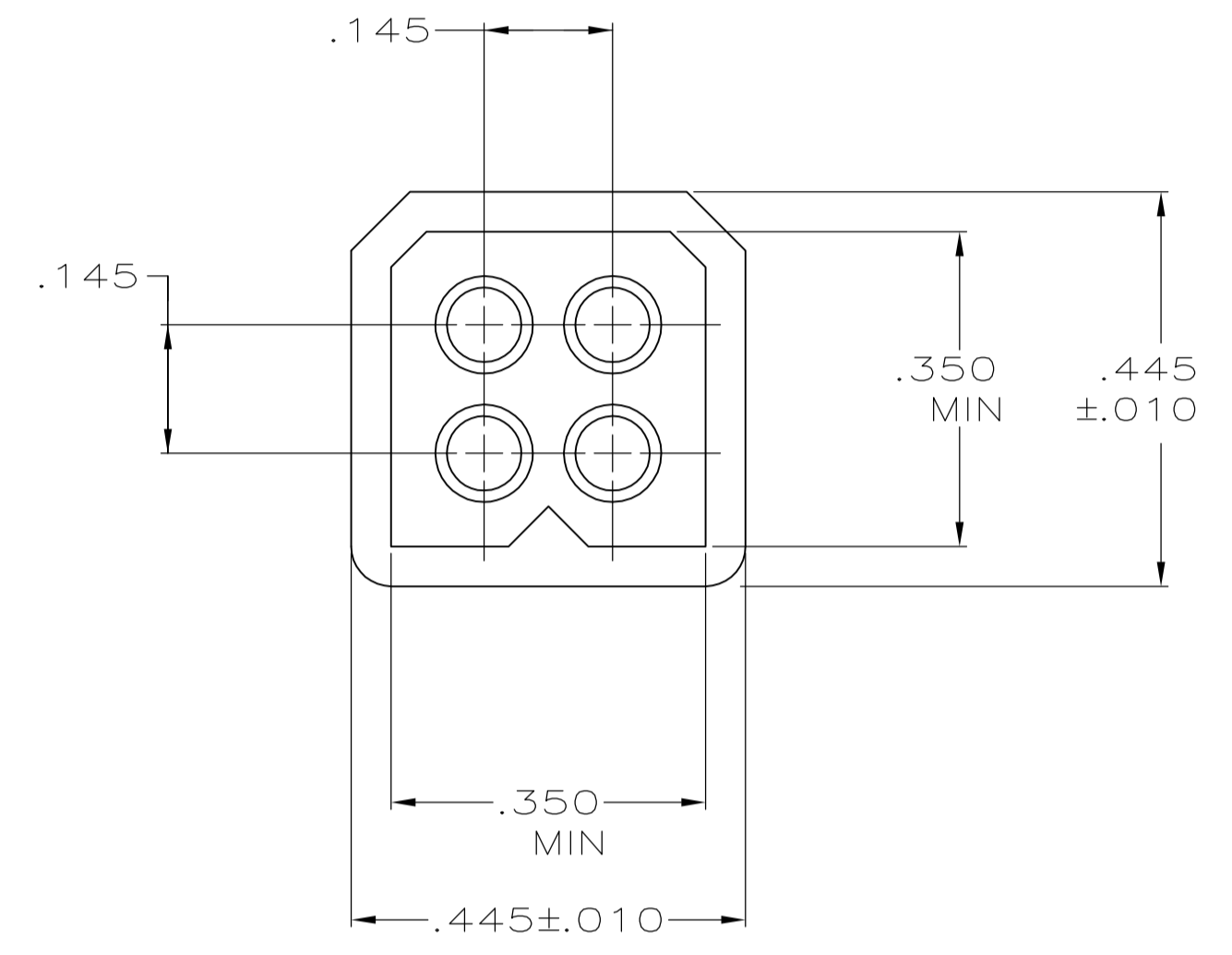
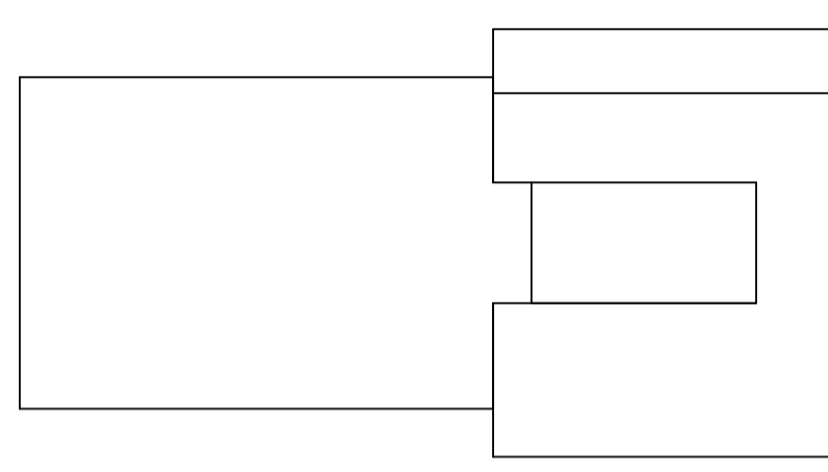
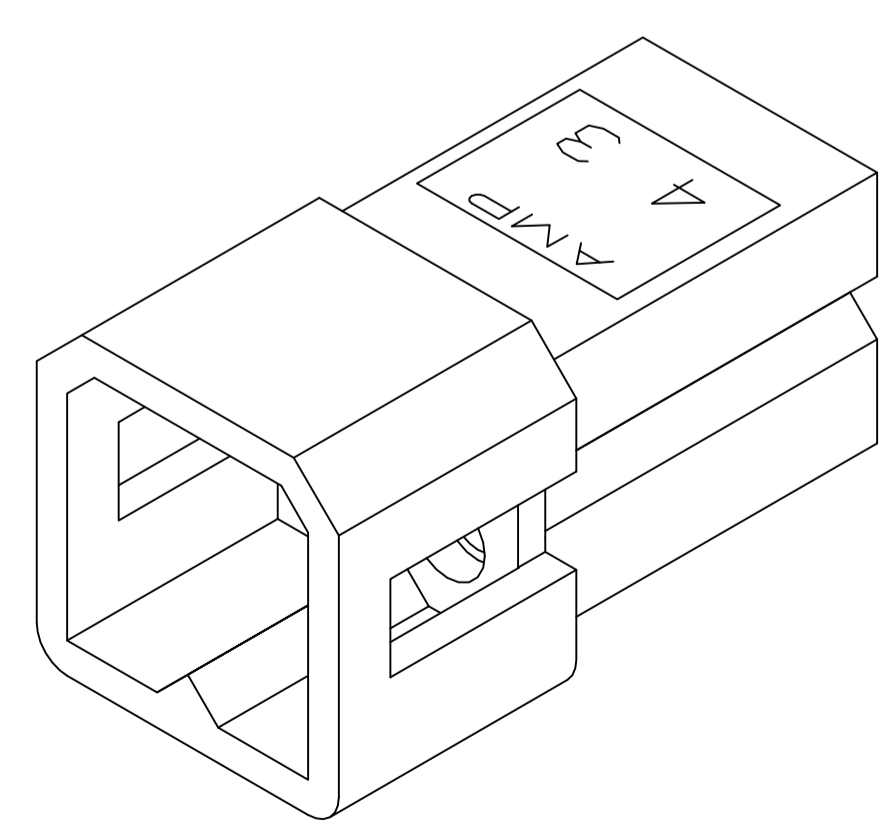


LOC		DIST		REVISIONS			
P	LTR	DESCRIPTION	DATE	DMN	APVD		
B2		REVISED PER ECR-09-007140	31MAR09	HMR	KR		

1 AMP LOGO LOCATED ON THIS SURFACE.  
 2 PRELIMINARY - NOT FOR PRODUCTION



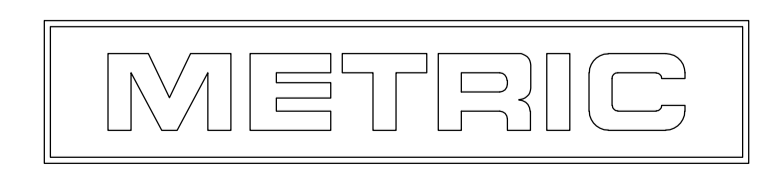
MATING CONNECTOR INTERFACE



3-DIMENSIONAL MODEL NTS

IN	MM	IN	MM
.145	3.68	.843	21.41
.062	1.57	.445	11.30
.010	0.25	.350	8.89
.005	0.13	.345	8.76

CONVERSION TABLE



BLACK	770433-3
NATURAL	770433-1
COLOR	PART NUMBER

THIS DRAWING IS A CONTROLLED DOCUMENT.

DIMENSIONS: INCHES	TOLERANCES UNLESS OTHERWISE SPECIFIED:	DIN K. WHITAKER 9-19-88	Tyco Electronics Corporation Harrisburg, PA 17105-3608
		CHK R. SWING 9-20-88	
		APVD R. CARSON 10-5-88	NAME
			PLUG, 4 CIRCUIT, .062 PIN AND SOCKET
			APPLICATION SPEC
			SIZE
MATERIAL NYLON, UL94V-2	FINISH -	WEIGHT -	SCALE 5:1
			SHEET 1 OF 1
			REV B2

CUSTOMER DRAWING