

Distributed by:

JAMECO[®]
ELECTRONICS

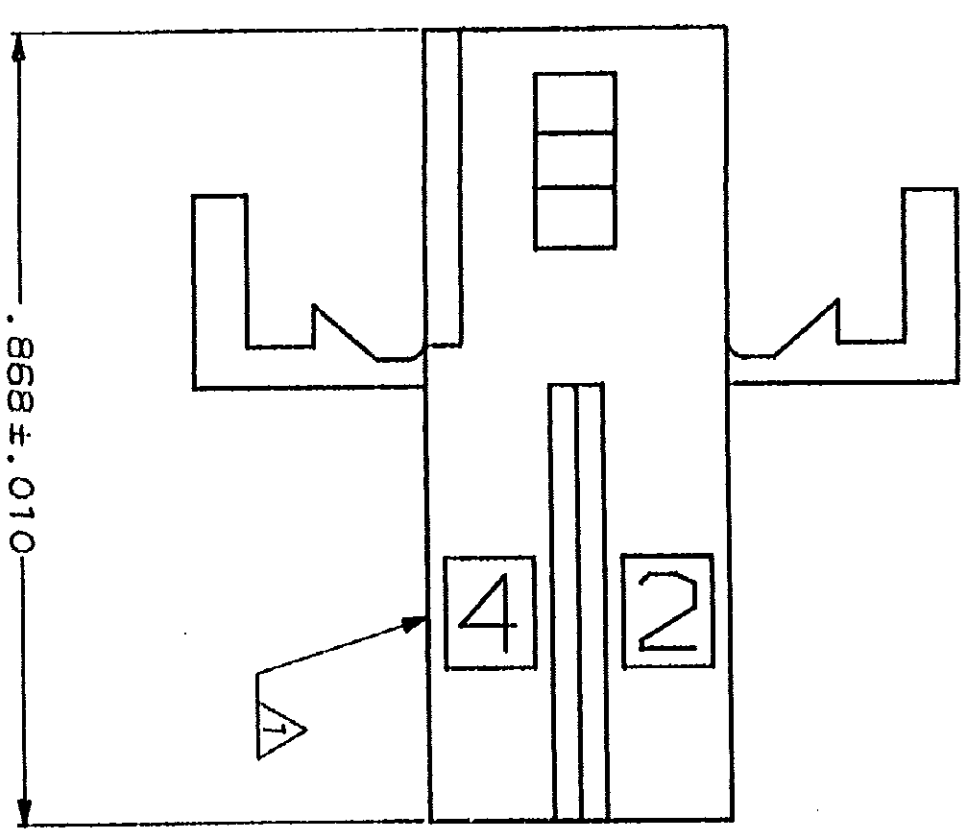
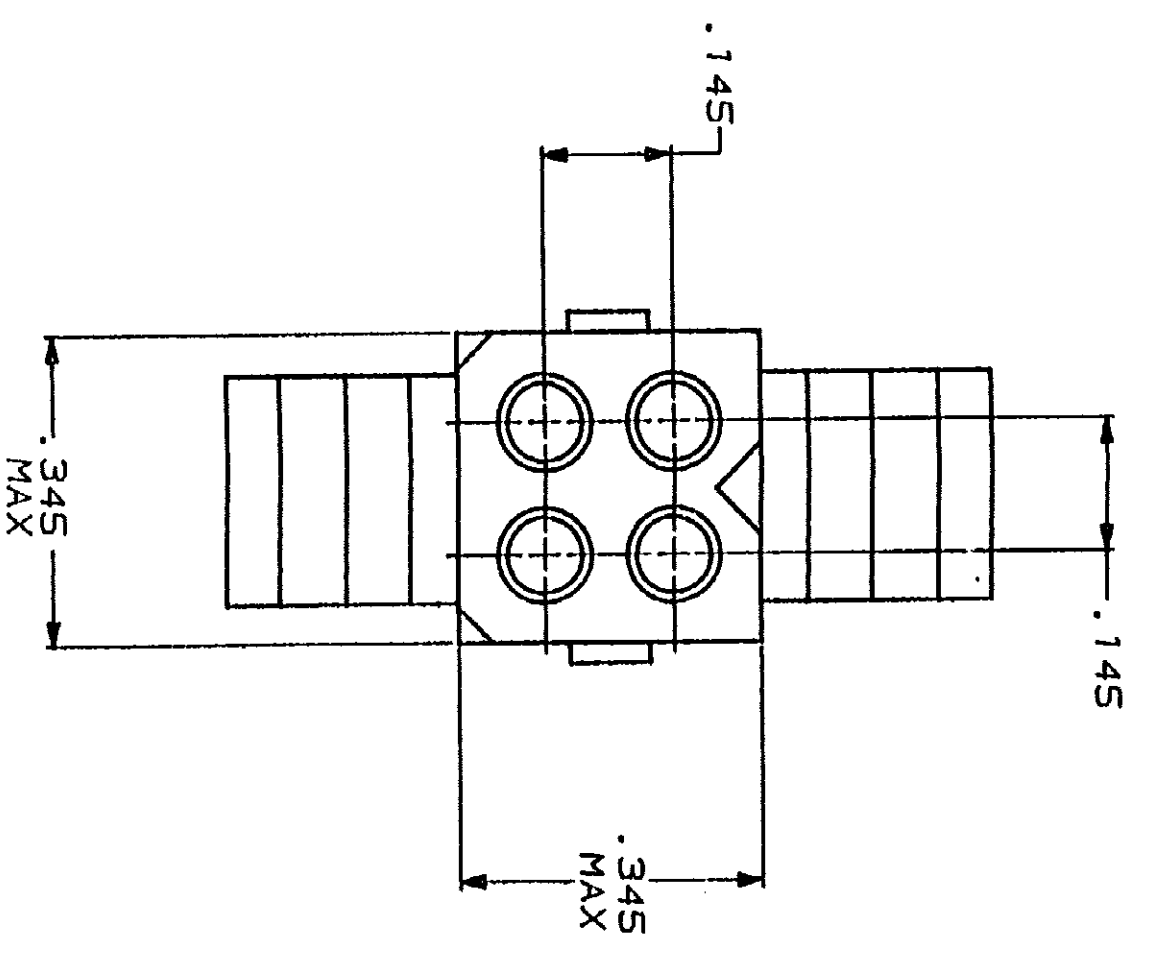
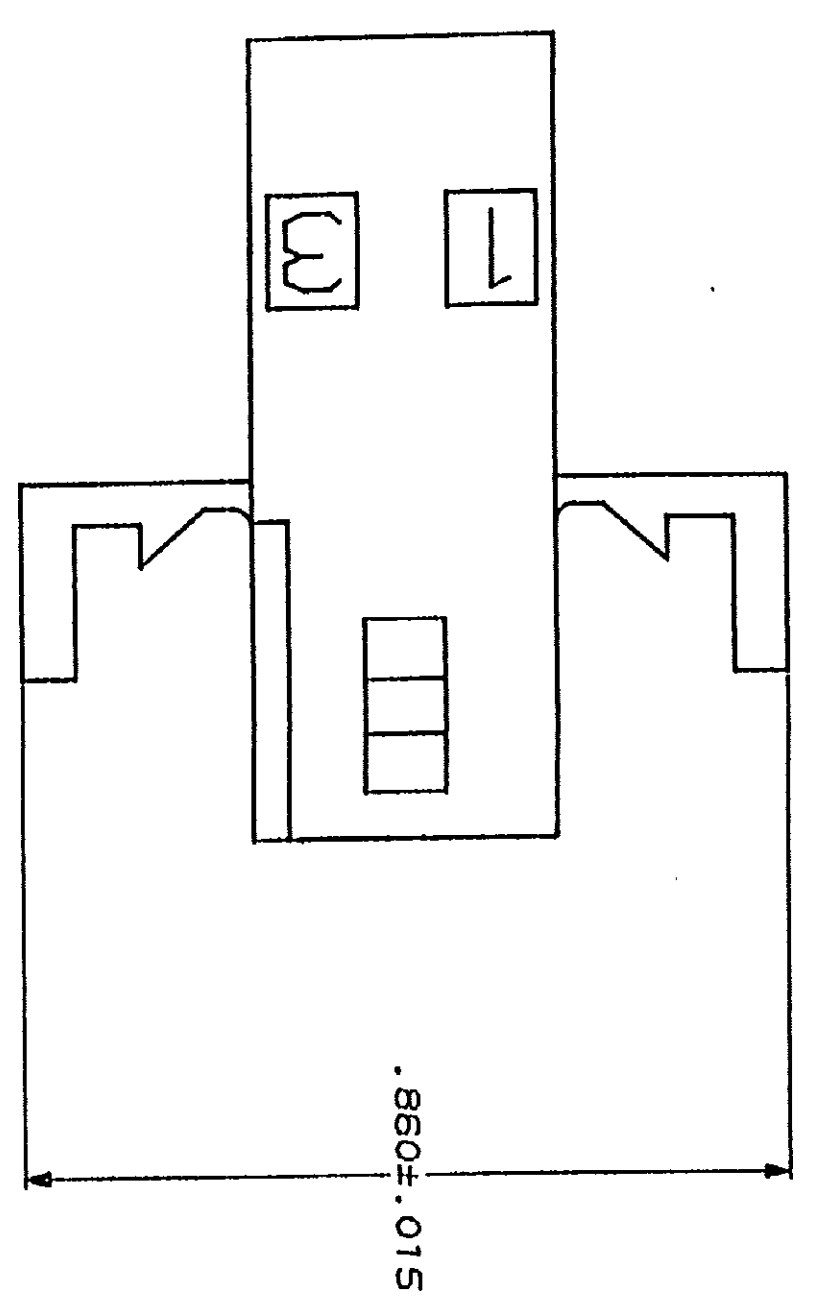
www.Jameco.com ♦ 1-800-831-4242

The content and copyrights of the attached
material are the property of its owner.

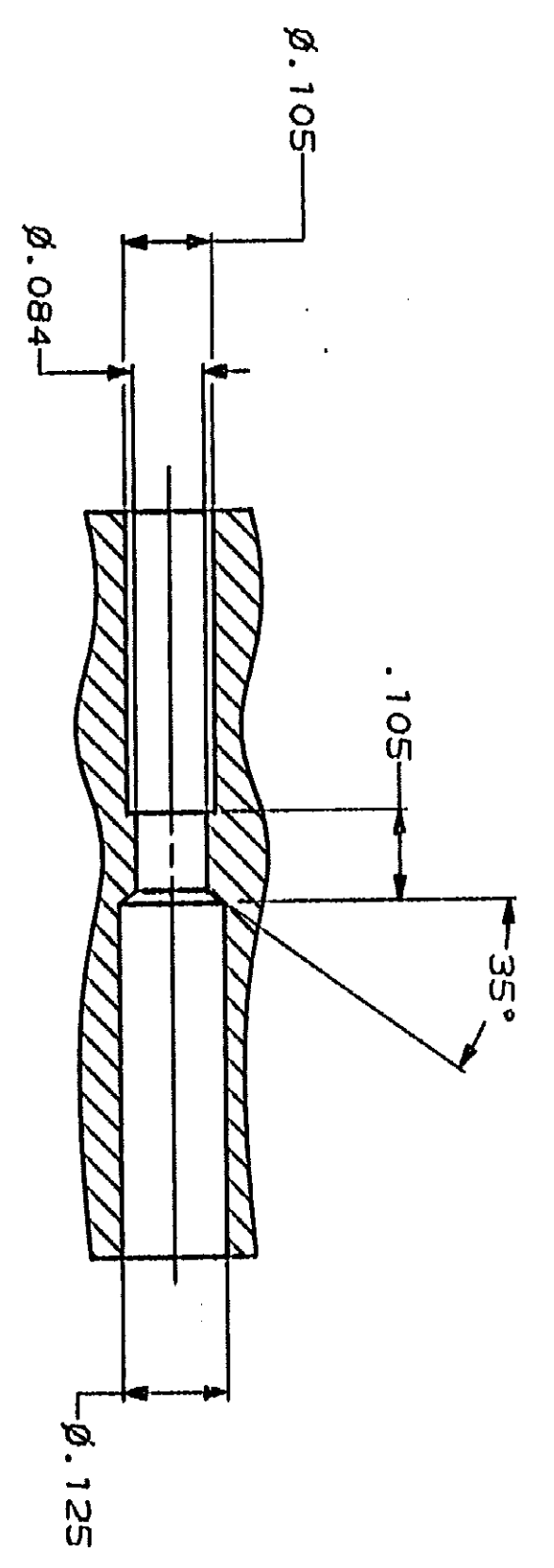
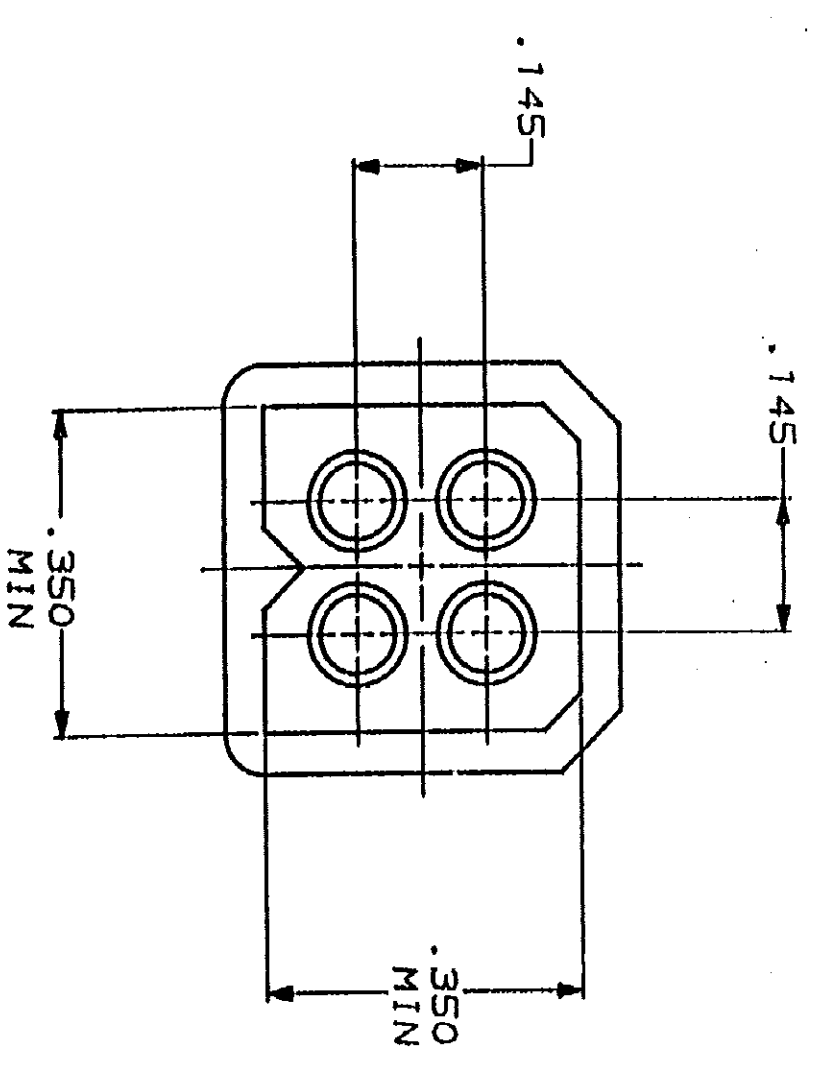
Jameco Part Number 758971

DRAWING MADE IN THIRD ANGLE PROJECTION
 THIS DRAWING IS UNPUBLISHED. RELEASED FOR PUBLICATION
 BY AMP INCORPORATED. ALL INTERNATIONAL RIGHTS RESERVED.
 © COPYRIGHT 1983

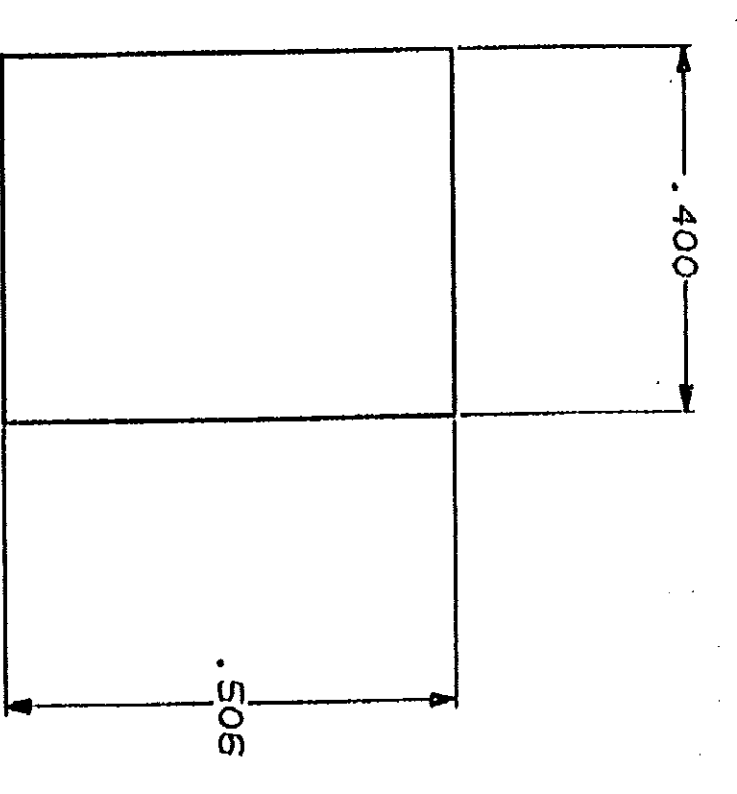
8 7 6 5 4 3 2 1



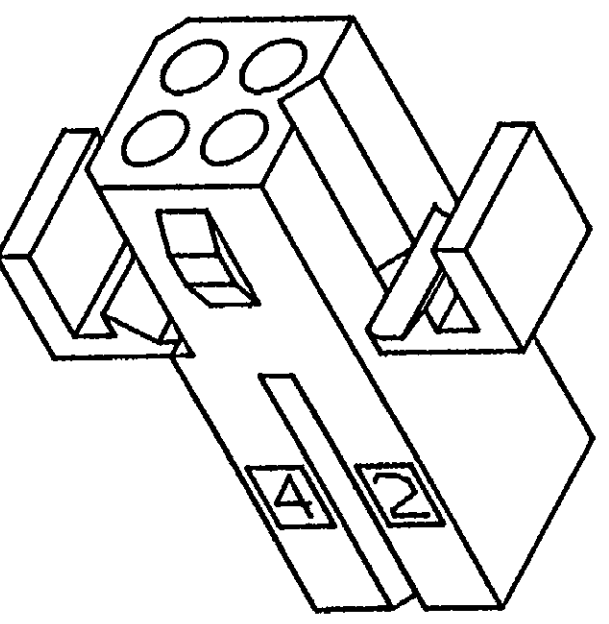
△ AMP LOGO LOCATED THIS SURFACE.



TYPICAL RECEPTACLE CAVITY SECTION
 (DIMENSIONS REFERENCE ONLY)

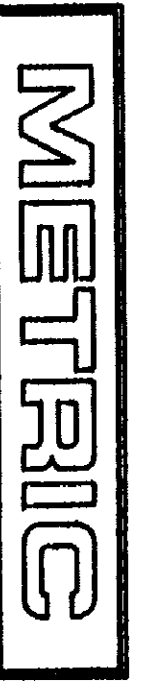


RECOMMENDED CUTOUT FOR
 .060 MAX THICK PANEL



3-DIMENSIONAL MODEL
 NTS

CONVERSION TABLE			
IN	MM	IN	MM
.145	3.68	.868	22.05
.062	1.57	.860	21.84
.060	1.52	.506	12.85
.015	0.38	.400	10.16
.010	0.25	.350	8.89
.005	0.13	.345	8.76



DO NOT SCALE PRINT. UNLESS SPECIFIED IN CHANGES TOLERANCES ON: 2 PLG DEC ± .005 3 PLG DEC ± .005 ANGLES MATERIAL NYLON, UL 94V-2, NATURAL		DR K. WHITTAKER 11-3-88	CHK R. SWINS 11-3-88	APPD R. CARSON 11-4-88	DATE
FINISH NATURAL		APPLICATION SPEC	PRODUCT SPEC	SIZE D 00779	SCALE 5:1
AMP INCORPORATED RECEPTACLE, PANEL MOUNT, 4 CIRCUIT, .062 PIN AND SOCKET		PART NO 770441-1		DRAWING NO 770441	
CUSTOMER DRAWING		SHEET 1 OF 1		REVOLUTIONS DESCRIPTION C1 ADDED METRIC CONVERSION	