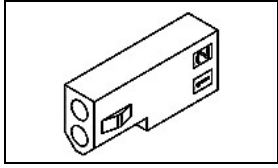


## 770442-1 Product Details



**770442-1**

TE Internal Number: 770442-1



Active

### .062" Commercial Pin & Socket Connector

 Always EU RoHS/ELV Compliant (Statement of Compliance)

#### Product Highlights:

- Wire-to-Wire
- Connector
- Connector Style = Receptacle
- Contact - Rated Current = 6 A
- Contact Transmits (Typical Application) Power, Contact Transmits (Typical Application) Signal (Data), Contact Transmits (Typical Application) Signal (Data)/Power

### Documentation & Additional Information

#### Product Drawings:

- [recept 4 circuit .062 pin and socket](#) (PDF, English)

#### Catalog Pages/Data Sheets:

- [SOFT\\_SHELL\\_PIN\\_AND\\_SOCKET\\_CONNECTORS\\_CATALOG](#) (PDF, English)

#### Product Specifications:

- [.062 Diameter Pin and Socket Terminal](#) (PDF, English)

#### Application Specifications:

- [.062 Diameter Pin and Socket Contacts and Housings](#) (PDF, English)

#### Instruction Sheets:

- None Available

#### CAD Files: [\(CAD Format & Compression Information\)](#)

- [2D Drawing](#) (DXF, Version D)
- [3D Model](#) (IGES, Version D)
- [3D Model](#) (STEP, Version D)

#### Additional Information:

- [Product Line Information](#)

#### Related Products:

- [Tooling](#)
- [Mating Products \(2\)](#)
- [Contacts \(20\)](#)

### Product Features (Please use the Product Drawing for all design activity)

#### Product Type Features:

- Product Type = Connector
- Strain Relief = Without
- Wire/Cable Type = Discrete Wire
- Termination Method to Wire/Cable = Crimp
- Shrouded = Yes
- Sealed = No
- UL File Number = E28476
- CSA File Number = LR 7189

#### Mechanical Attachment:

- Panel Mount Retention = Without
- Mating Retention Type = Detent Lock

#### Electrical Characteristics:

- Contact - Rated Current (A) = 6
- Operating Voltage Reference = AC/DC
- Operating Voltage (VAC) = 250
- Operating Voltage (VDC) = 250

#### Termination Features:

- Wire/Cable Size (AWG) = 18 - 30
- Wire/Cable Size (mm<sup>2</sup>) = 0.2 - 0.9
- Wire/Cable Size (CMA) = 394.71 - 1,776.17

#### Dimensions:

- Length (X-Axis) (mm [in]) = 22.30 [0.8779]
- Width (Z-Axis) (mm [in]) = 8.76 [0.345]
- Profile Height (Y-Axis) (mm [in]) = 8.76 [0.345]

#### Body Features:

- Mating Retention = With
- Row-to-Row Spacing (mm [in]) = 3.68 [0.145]

#### Housing Features:

- Connector Style = Receptacle
- Housing Color = Natural
- Mating Alignment = With
- Centerline (mm [in]) = 3.68 [0.145]
- Mating Alignment Type = Polarization
- Housing Material = Nylon
- UL Flammability Rating = UL 94V-2

#### Configuration Features:

- Number of Positions = 4
- Number of Rows = 2
- Number of Columns = 2

#### Industry Standards:

- [RoHS/ELV Compliance](#) = RoHS compliant, ELV compliant
- [Lead Free Solder Processes](#) = Not relevant for lead free process
- RoHS/ELV Compliance History = Always was RoHS compliant
- VDE Tested = No
- Agency/Standard = UL, CSA
- UL Rating = Recognized
- UL Voltage Rating (VAC) = 250
- UL Voltage Rating (VDC) = 250

#### Environmental:

- Operating Temperature (°C [°F]) = -55 - +105 [-67 - +221]

#### Conditions for Usage:

- Accepts Wire Insulation Diameter, Range (mm [in]) = 1.27 - 2.79 [0.050 - 0.110]

#### Operation/Application:

- Row-to-Row Spacing (mm [in]) = 5.08 [0.199]
- ESD Protection = Without

**Contact Features:**

- Contact Type = Pin or Socket

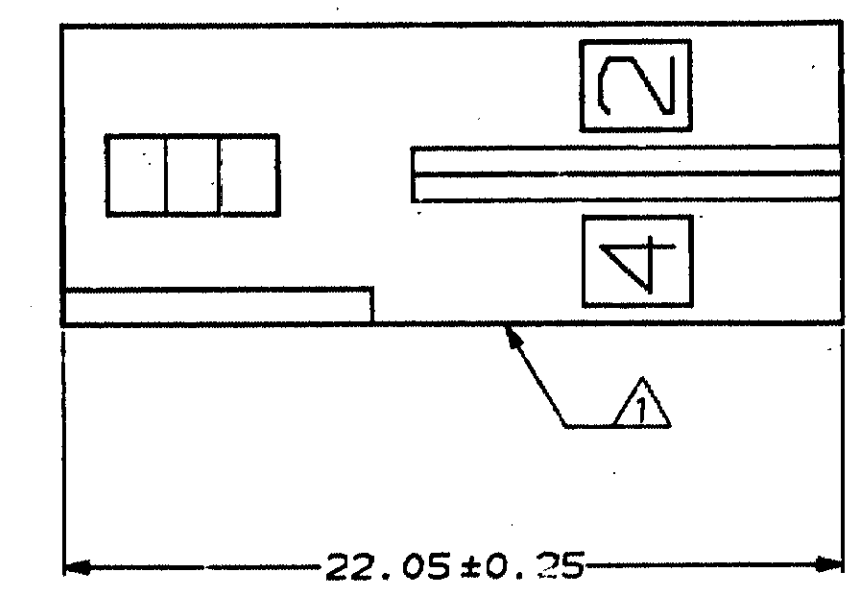
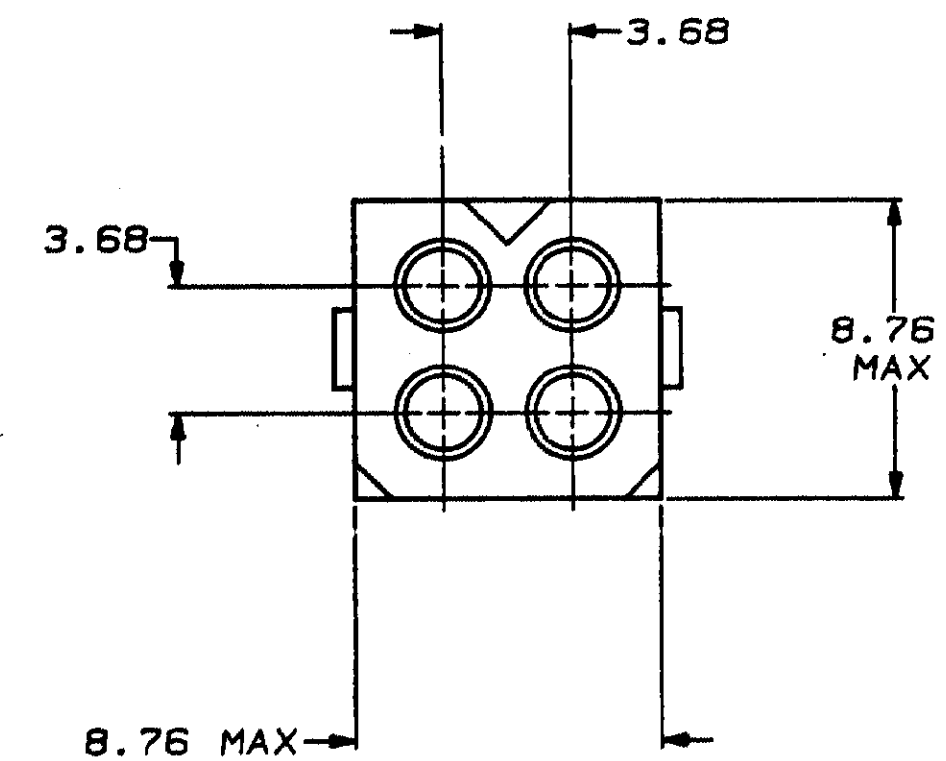
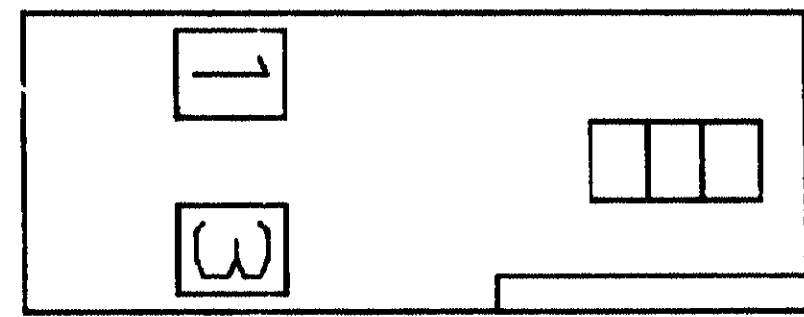
- Application Use = Wire-to-Wire
- Contact Transmits (Typical Application) = Power, Signal (Data), Signal (Data)/Power

**Packaging Features:**

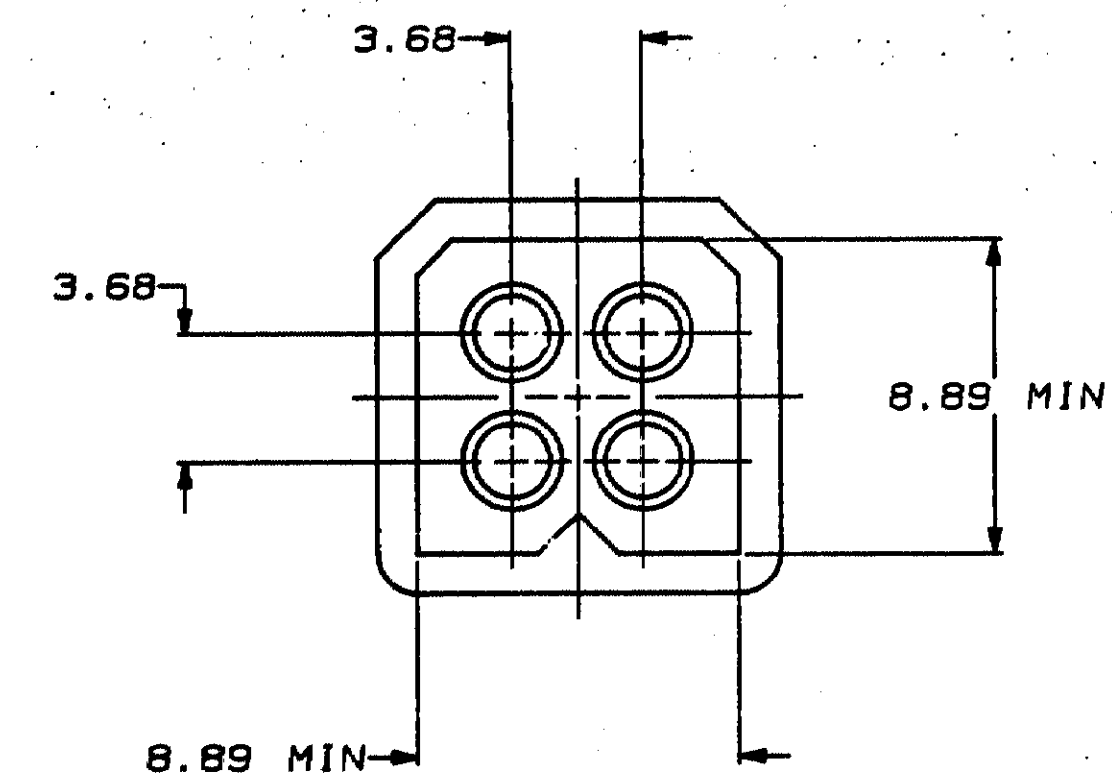
- Packaging Method = Loose Piece/Bulk

**Other:**

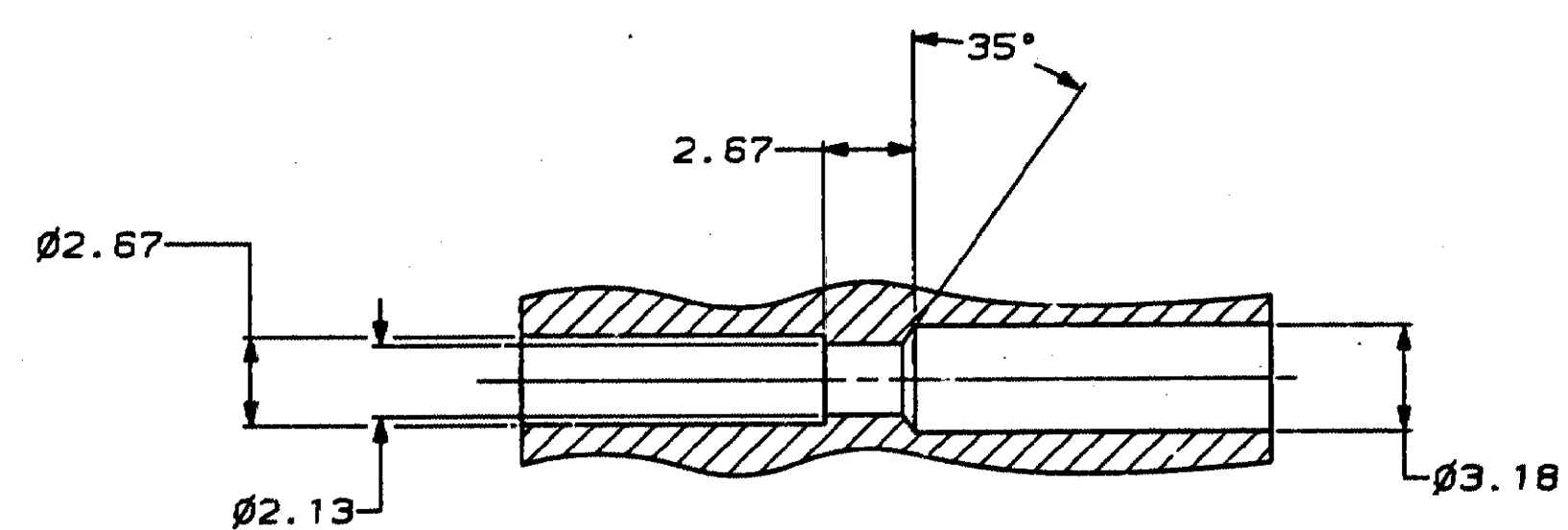
- Brand = AMP



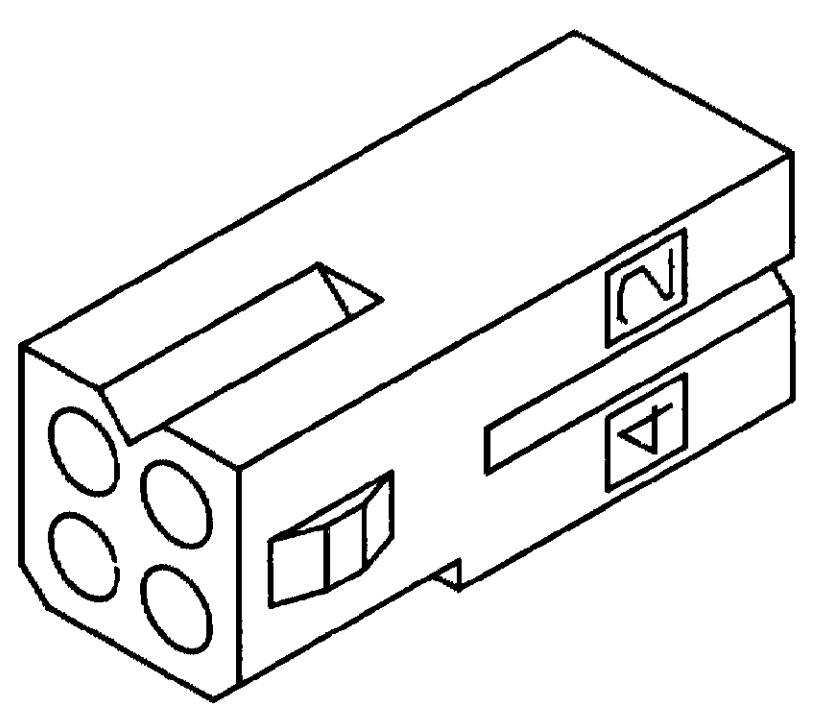
△ AMP LOGO LOCATED THIS SURFACE.



MATING CONNECTOR INTERFACE



TYPICAL RECEPTACLE CAVITY SECTION  
(DIMENSIONS REFERENCE ONLY)



3-DIMENSIONAL MODEL  
NTS

2.67	.105	22.05	.868
2.13	.084	8.89	.350
1.57	.062	8.76	.345
0.25	.010	3.68	.145
0.13	.005	3.18	.125
MM	IN	MM	IN

CONVERSION TABLE

**METRIC**

BLACK	NYLON, UL94V-2	770442-3
NATURAL	NYLON, UL94V-2	770442-1
COLOR	MATERIAL	PART NO

DO NOT SCALE PRINT. UNLESS SPECIFIED DIMENSIONS IN INCHES TOLERANCES ON:		DR K. WHITAKER 11-2-88	
2 PLC DEC ±		CHK R. SWING 11-2-88	
3 PLC DEC ± 0.13		APPD R. CARSON 11-4-88	
ANGLES ±		NAME	
MATERIAL		RECEPTACLE, 4 CIRCUIT, .062 PIN AND SOCKET	
SEE TABLE		PRODUCT SPEC	
FINISH		APPLICATION SPEC	
WEIGHT		SCALE 5:1	
SIZE D	FSCM NO 00779	DRAWING NO 770442	
		SHEET 1 OF 1	