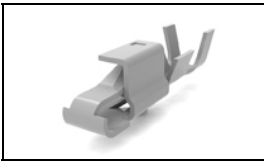


## 770476-2 Product Details

[Share](#) [Print](#) [Email](#)



**770476-2**

TE Internal Number: 770476-2

 Active

[View 3D PDF](#)

### MTA, CST, CST-100 II and SL Contacts

 Always EU RoHS/ELV Compliant (Statement of Compliance)

#### Product Highlights:

- SL Product Line
- Applies To Wire/Cable
- Contact Type = Socket
- Contact Configuration = Standard
- Contact - Rated Current = 10 A

[View all Features](#)

### Quick Links

- ▶ [Pricing & Availability](#)
- ▶ [Search for Tooling](#)
- ▶ [Product Feature Selector](#)
- ▶ [Contact Us About This Product](#)

[Add to My Part List](#)

[Request Sample](#)

[Find Similar Products](#)

[Buy Product](#)

### Documentation & Additional Information

#### Product Drawings:

- [RECEPTACLE, SL-156 \(PDF, English\)](#)

#### Catalog Pages/Data Sheets:

- [7-1773461-7\\_SL-156\\_CONNECTOR\\_TPA\\_DEVICE \(PDF, English\)](#)
- [MTA, CST-100 II, SL-156 and AMP Economy Power \(EP\) C... \(PDF, English\)](#)

#### Product Specifications:

- [SL 156 Connectors \(PDF, English\)](#)
- [Hooded SL 156 Connectors, Gold \(PDF, English\)](#)

#### Application Specifications:

- [SL 156 Contacts and Housings \(PDF, English\)](#)

#### Instruction Sheets:

- [SL-156 Contacts Visual Training Aid \(Insertion and ... \(PDF, English\)](#)

#### CAD Files: (CAD Format & Compression Information)

- [2D Drawing \(DXF, Version K\)](#)
- [3D Model \(IGES, Version K\)](#)
- [3D Model \(STEP, Version K\)](#)

[List all Documents](#)

#### Additional Information:

- [Product Line Information](#)

#### Related Products:

- [Tooling](#)

### Product Features (Please use the Product Drawing for all design activity)

#### Product Type Features:

- Product Line = SL
- Wire/Cable Type = Discrete Wire
- Unmating Force = High

#### Mechanical Attachment:

- Contact Retention Type = Locking Lance
- Contact Retention = With

#### Electrical Characteristics:

- Contact - Rated Current (A) = 10
- Operating Voltage Reference = AC
- Operating Voltage (VAC) = 250

#### Termination Features:

- Wire/Cable Size (mm<sup>2</sup>) = 0.2 - 0.9
- Wire/Cable Size (AWG) = 18 - 24
- Termination Method to Wire/Cable = Crimp

#### Body Features:

- Mating Force = Low Force
- Wire Type = Stranded
- Underplate Material Thickness (µm [µin]) = 1.27 [50.000]

#### Contact Features:

- Contact Type = Socket
- Contact Configuration = Standard
- Contact Base Material = Phosphor Bronze
- Contact Plating, Mating Area, Material = Gold
- Contact Plating, Mating Area, Thickness (µm [µin]) = 0.76 [29.92]
- Contact Style = Hooded
- Underplate Material = Nickel

#### Industry Standards:

- [RoHS/ELV Compliance](#) = RoHS compliant, ELV compliant
- [Lead Free Solder Processes](#) = Not relevant for lead free process
- [RoHS/ELV Compliance History](#) = Always was RoHS compliant

#### Environmental:

- Operating Temperature (°C [°F]) = -55 - +105 [-67 - +221]

#### Conditions for Usage:

- Applies To = Wire/Cable
- Accepts Wire Insulation Diameter, Range (mm [in]) = 1.09 - 2.79 [0.0429 - 0.110]
- For Use With = SL-156 Housings

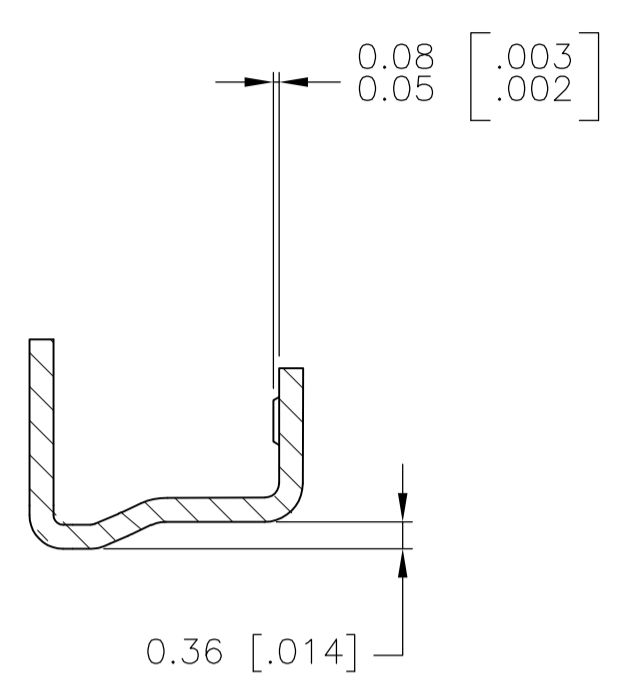
#### Packaging Features:

- Packaging Method = Reel
- Packaging Quantity = 5,500

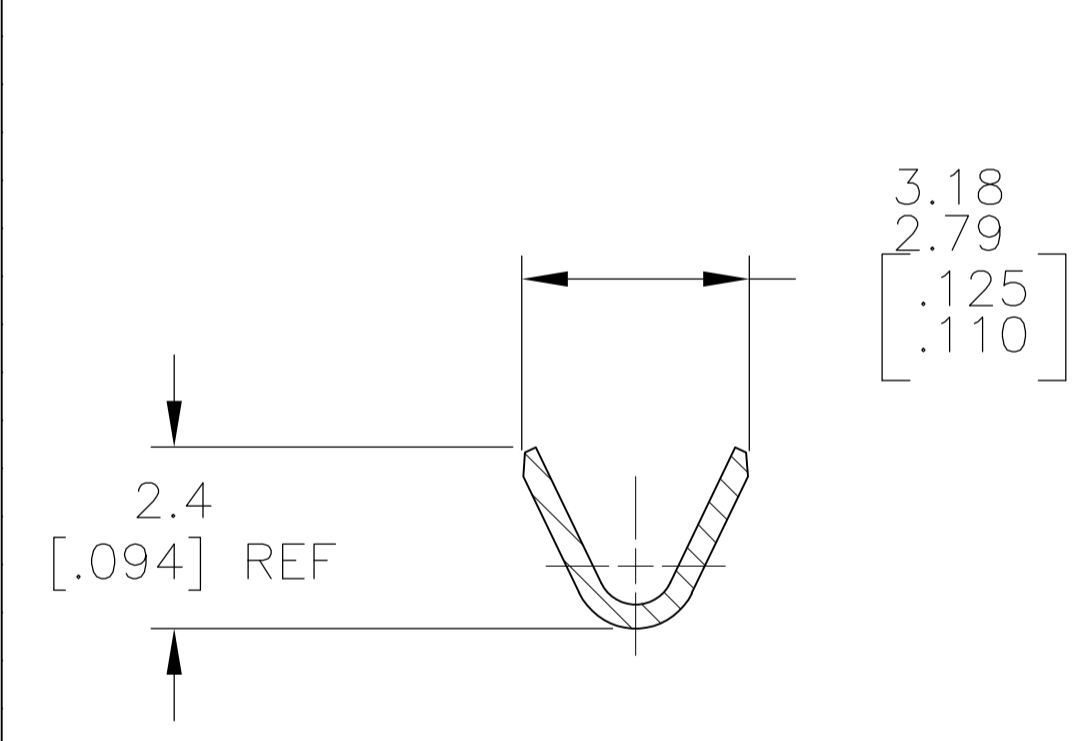
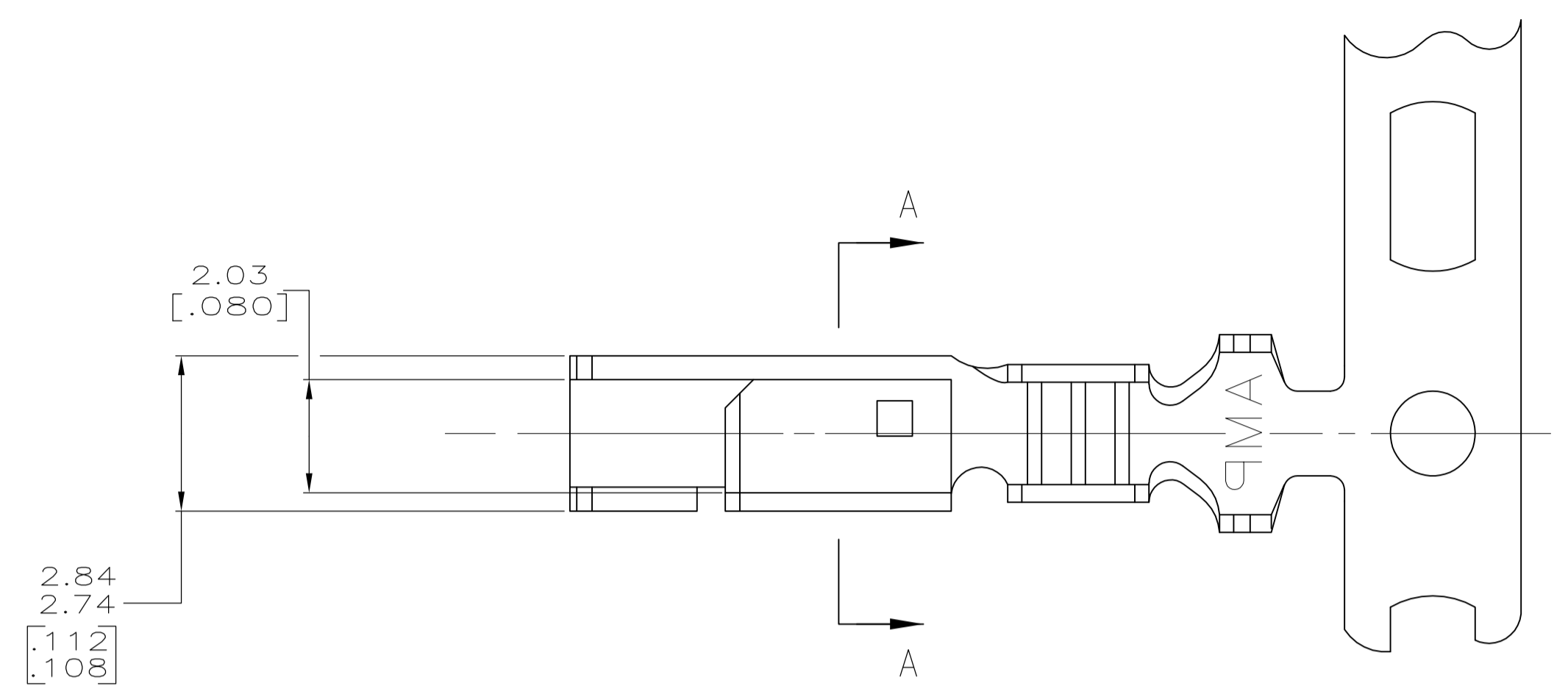
#### Other:

- Brand = AMP

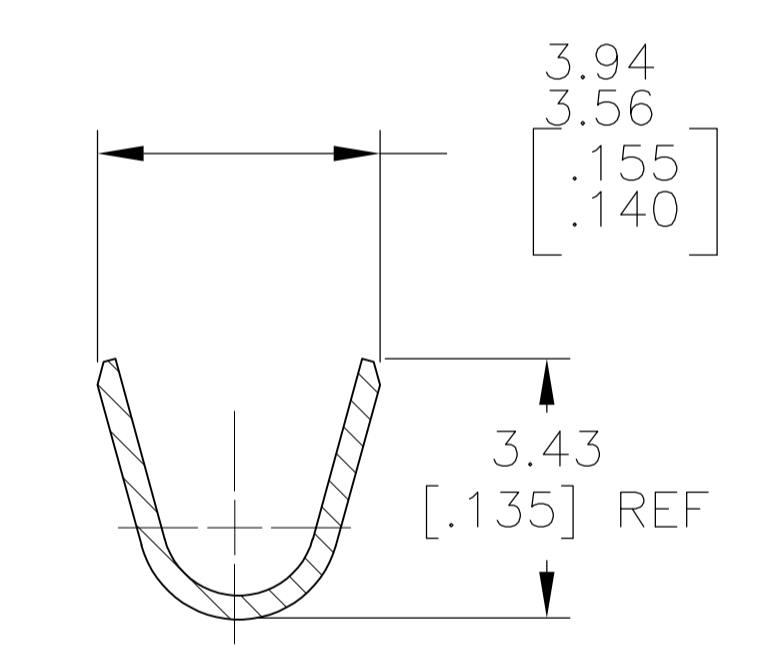
LOC	DIST	REVISIONS			
P	LTR	DESCRIPTION	DATE	DN	APVD
CM	00				
K1		REVISED PER ECO-11-004587	11MAR11	RK	HMR



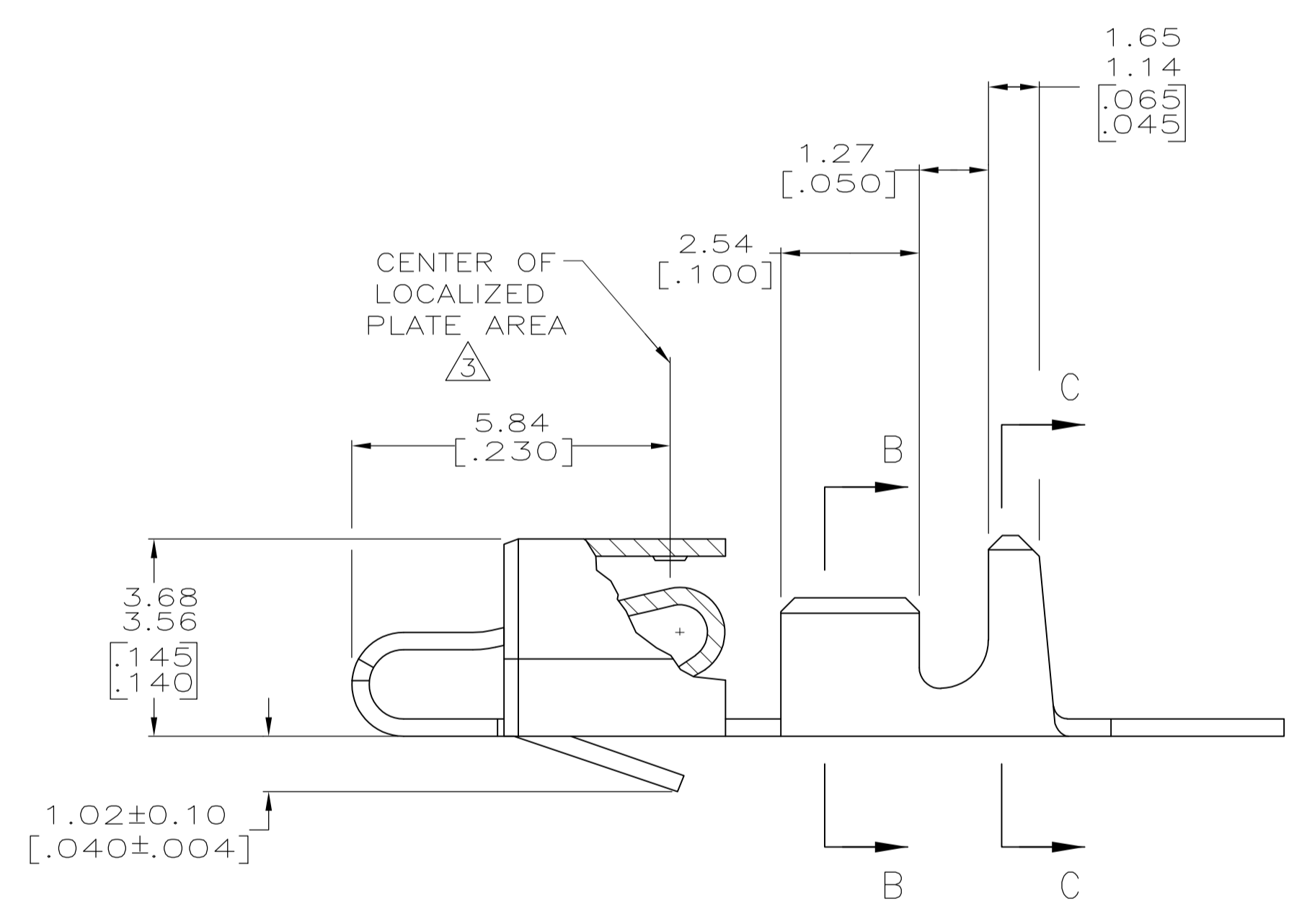
SECTION A-A



SECTION B-B



SECTION C-C



- INSULATION RANGE: 1.09–2.79 [.043–.110]  
WIRE RANGE: 0.2–0.9 mm<sup>2</sup> (24–18) AWG.
- 0.00203 [.000080] MIN BRIGHT TIN-LEAD OVER  
0.00127 [.000050] MIN NICKEL.
- 0.00076 [.000030] MIN THICK GOLD STRIPES IN  
LOCALIZED PLATE AREA ON BEAM AND DIMPLE OVER  
0.00127 [.000050] MIN THICK NICKEL OVER ENTIRE  
CONTACT.
- DIMENSIONS IN BRACKETS ARE IN INCHES.
- 0.00203 [.000080] MIN TIN OVER  
0.00127 [.000050] MIN NICKEL.

△3	3-770476-1
△3	770476-2
△2	770476-1
FINISH	PART NO.

METRIC

THIS DRAWING IS A CONTROLLED DOCUMENT.

DIMENSIONS: mm [INCHES]	TOLERANCES UNLESS OTHERWISE SPECIFIED:	DIN K. WHITAKER 180CT2004	CHK J. ELLIS	NAME
0 PLC ± -	1 PLC ± -	2 PLC ± -	3 PLC ± .005	4 PLC ANGLES ± # 0°30'
MATERIAL	FINISH	SIZE A1	CAGE CODE 00779	DRAWING NO. 770476
CUSTOMER DRAWING		SCALE 10:1	SHEET 1 OF 1	REV K1

STE TE Connectivity  
RECEPTACLE, SL-156