

Distributed by:

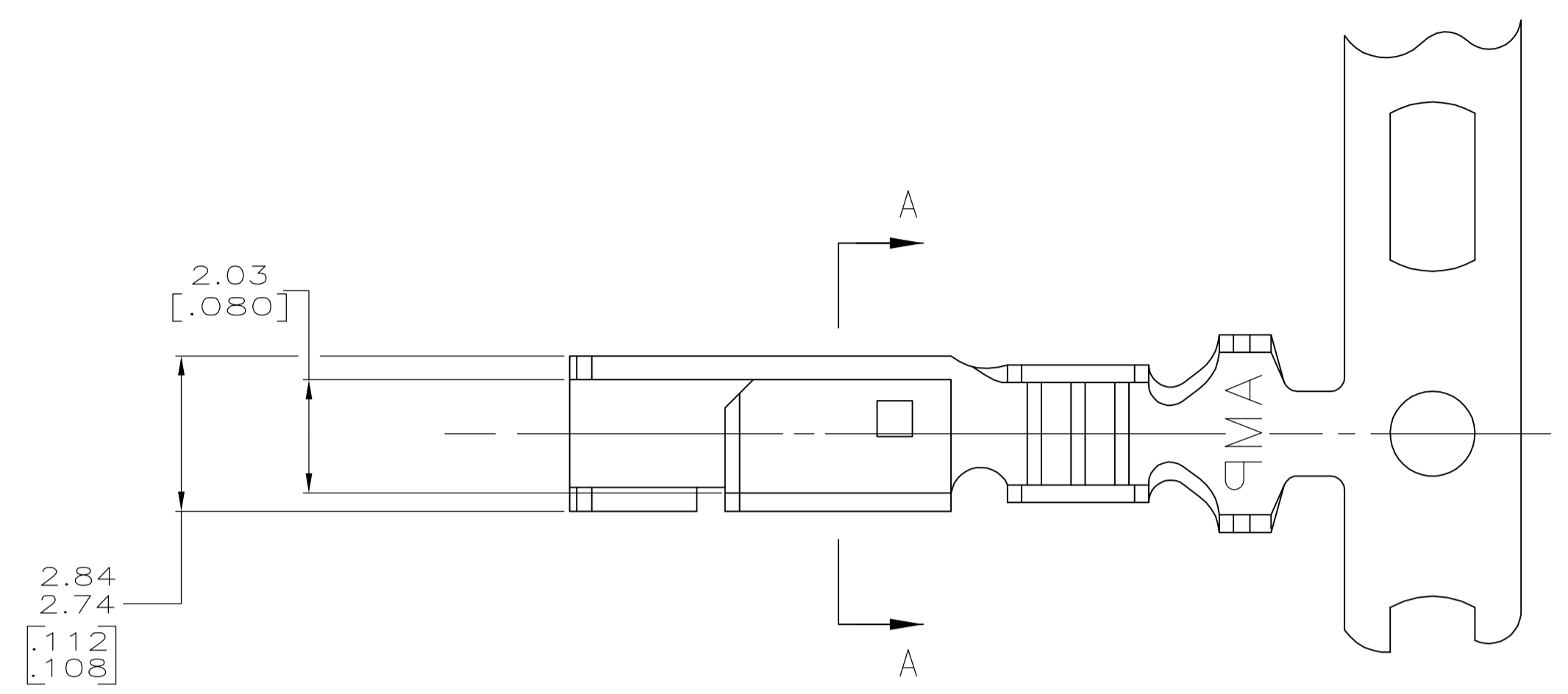
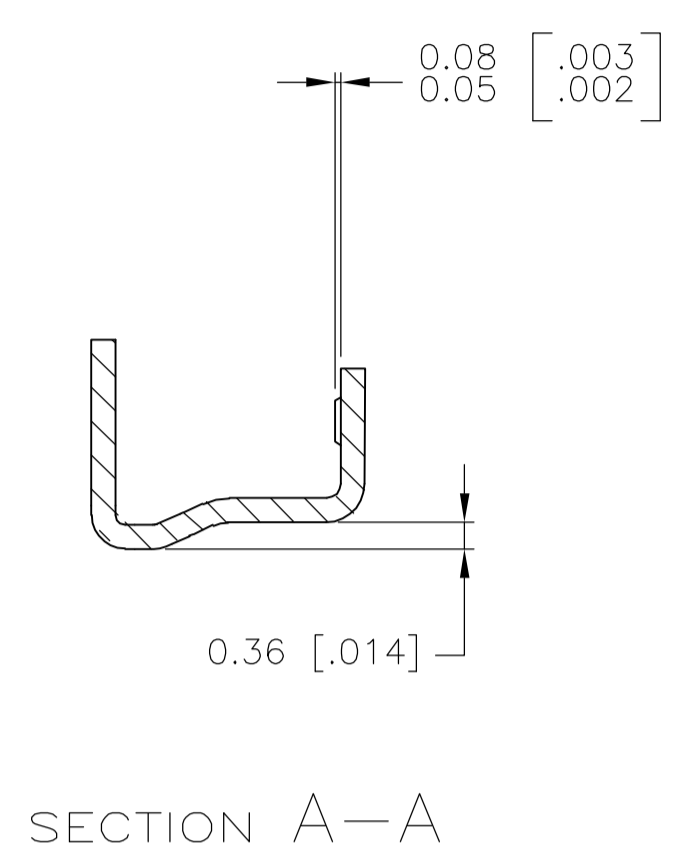
JAMECO[®]
ELECTRONICS

www.Jameco.com ♦ 1-800-831-4242

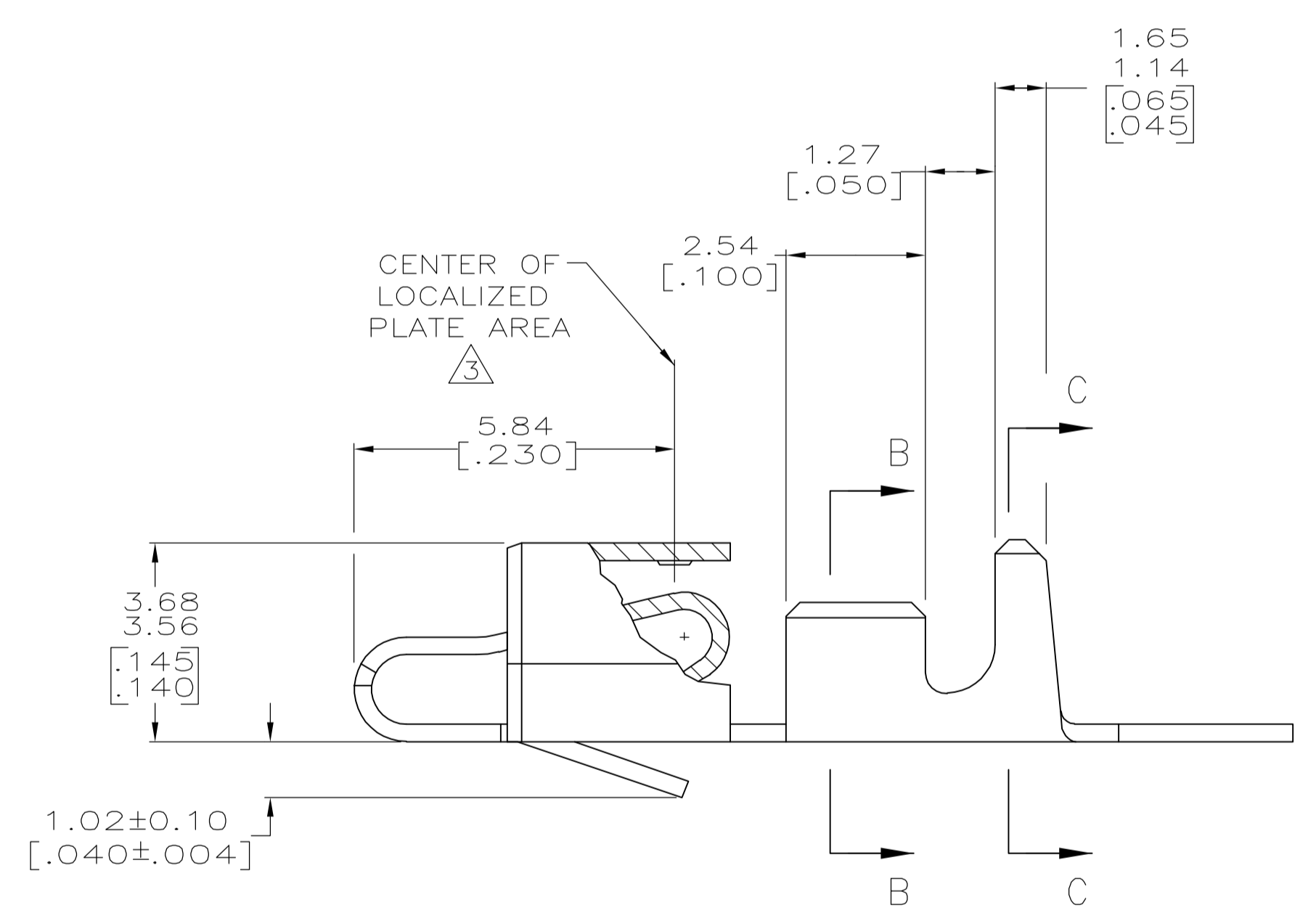
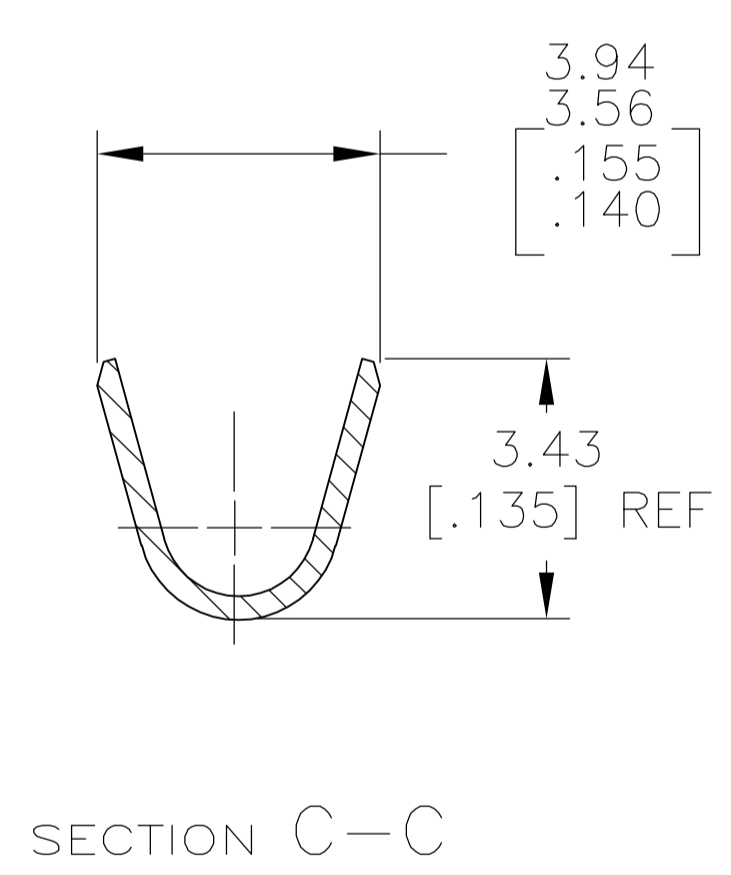
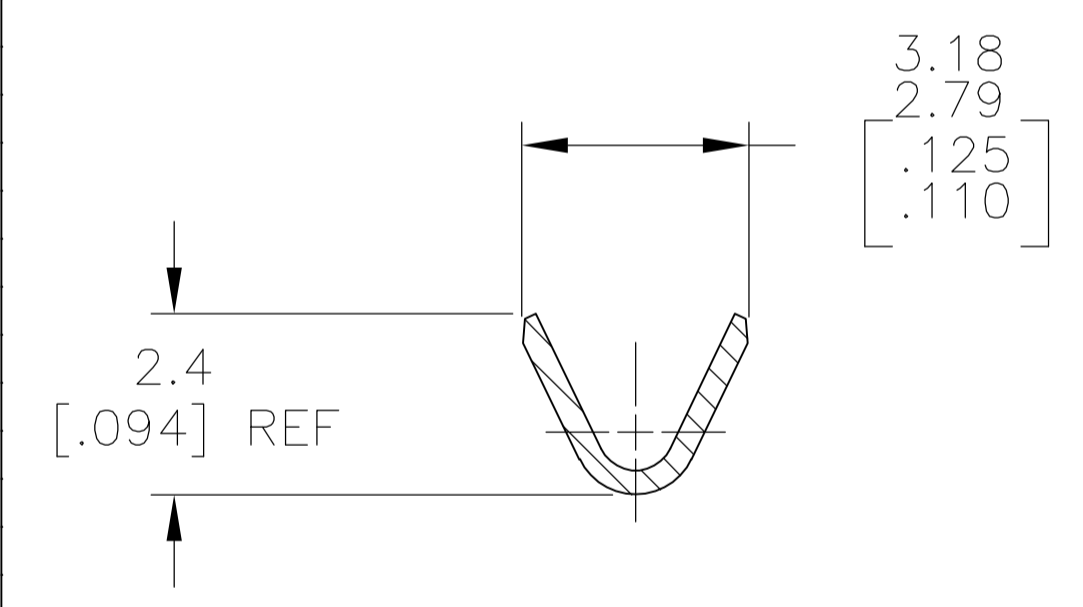
The content and copyrights of the attached
material are the property of its owner.

Jameco Part Number 985381

LOC		DIST		REVISIONS			
P	LTR	DESCRIPTION	DATE	DWN	APVD		
K		REVISED PER ECO-06-006795	17MAY06	KW	JE		



- INSULATION RANGE: 1.09-2.79 [.043-.110]
 WIRE RANGE: 0.2-0.9 mm² (24-18) AWG.
- 0.00203 [.000080] MIN BRIGHT TIN-LEAD OVER
 0.00127 [.000050] MIN NICKEL.
- 0.00076 [.000030] MIN THICK GOLD STRIPES IN
 LOCALIZED PLATE AREA ON BEAM AND DIMPLE OVER
 0.00127 [.000050] MIN THICK NICKEL OVER ENTIRE
 CONTACT.
- DIMENSIONS IN BRACKETS ARE IN INCHES.
- 0.00203 [.000080] MIN TIN OVER
 0.00127 [.000050] MIN NICKEL.



△	3-770476-1
△	770476-2
△	770476-1
FINISH	PART NO.

METRIC

THIS DRAWING IS A CONTROLLED DOCUMENT.		DWN K. WHITAKER	180CT2004	Tyco Electronics Corporation Greensboro, NC 27409	
DIMENSIONS: mm [INCHES]		CHK J. ELLIS	NAME J. ELLIS	RECEPTACLE, SL-156	
TOLERANCES UNLESS OTHERWISE SPECIFIED:		APVD J. ELLIS	PRODUCT SPEC	RESTRICTED TO	
0 PLC	± -	APPLICATION SPEC	SIZE	CAGE CODE	DRAWING NO
1 PLC	± -	WEIGHT	A1	00779	770476
2 PLC	± -	CUSTOMER DRAWING	SCALE	10:1	SHEET 1 OF 1
3 PLC	± .005				REV K
4 PLC	± -				
ANGLES	± 0.30°				
MATERIAL	FINISH				