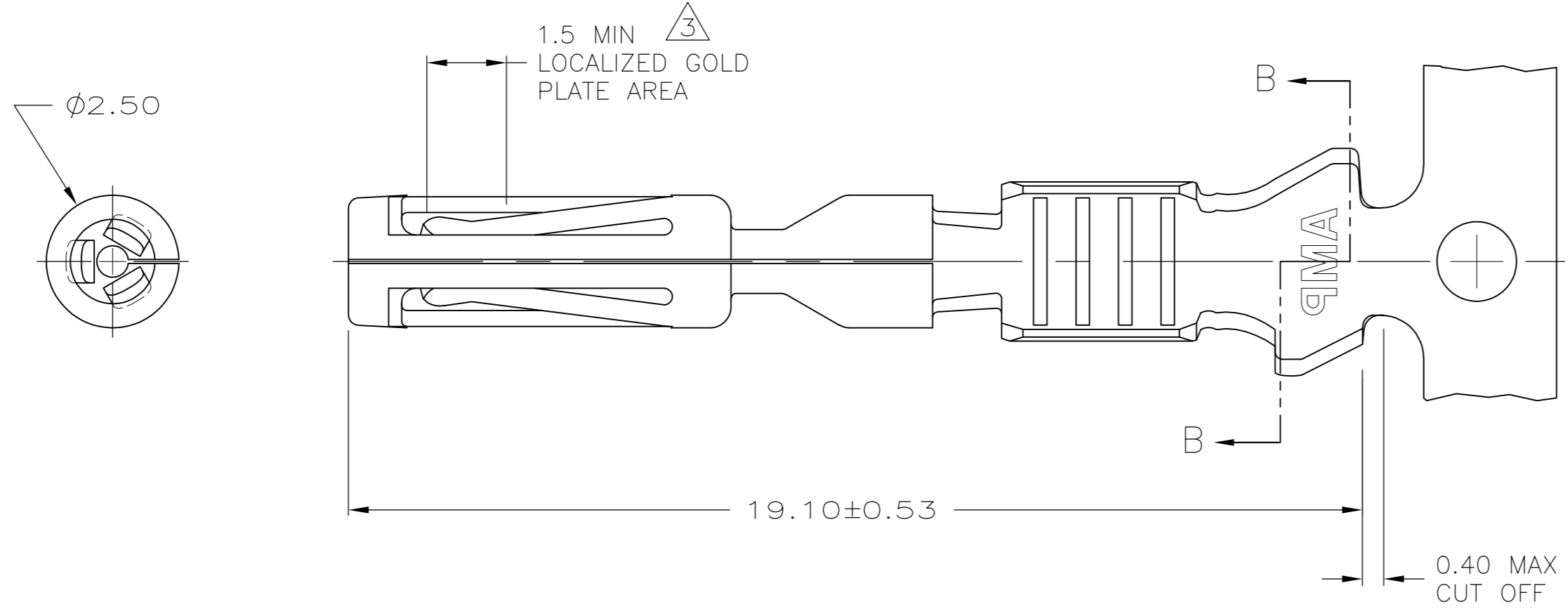


THIS DRAWING IS UNPUBLISHED. RELEASED FOR PUBLICATION
 © COPYRIGHT - By - ALL RIGHTS RESERVED.

LOC		DIST		REVISIONS			
P	LTR	DESCRIPTION		DATE	DWN	APVD	
CM	51	D4	REVISED PER ECO-11-005030		11MAR11	RK	HMR



1. WIRE RANGE: 20-16 AWG, 1.5mm²
 2. INSULATION RANGE: 1.70-2.70.
- Δ_3 .00075 MIN GOLD IN THE LOCALIZED GOLD PLATE AREA, .0025 MIN MATTE TIN IN THE LOCALIZED TIN PLATE AREA OVER .00125 MIN NICKEL OVER ENTIRE CONTACT.

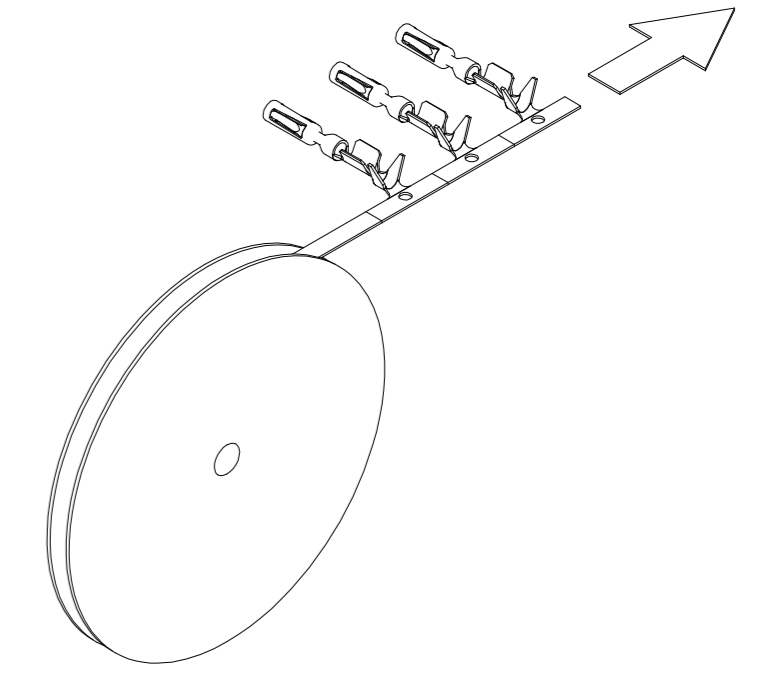
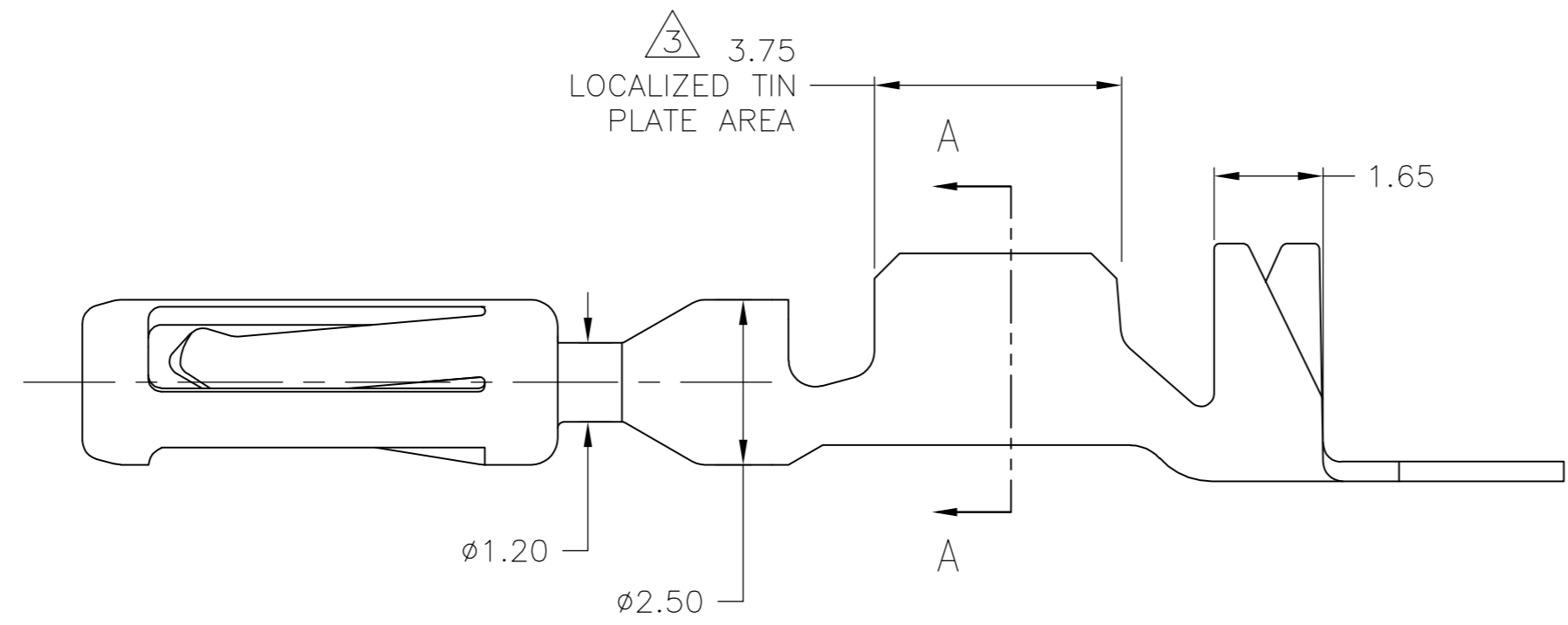
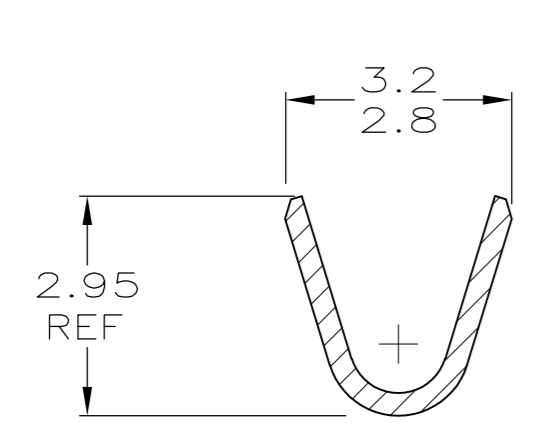
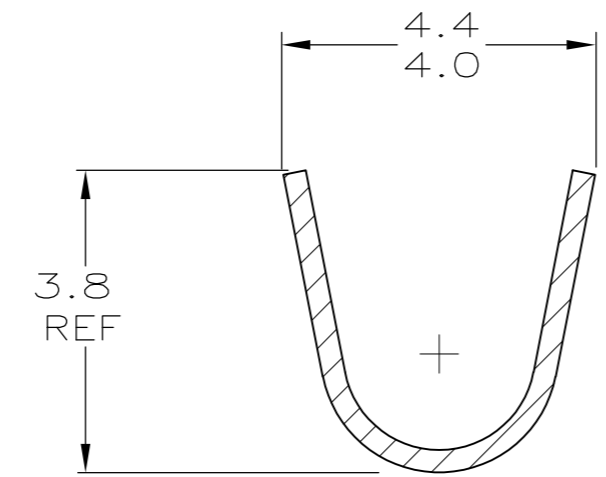


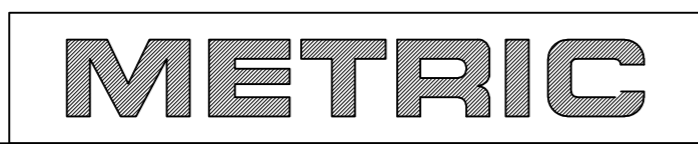
FIGURE 1
FINAL PAYOUT DIRECTION



SECTION A-A



SECTION B-B
ROTATED 90° CW



GOLD Δ_3	0.38 COPPER ALLOY	770520-3
PRE-TIN	0.38 COPPER ALLOY	770520-1
FINISH	MATERIAL	PART NUMBER

THIS DRAWING IS A CONTROLLED DOCUMENT.		DWN	C. MARTIN	4-26-89	 TE Connectivity			
DIMENSIONS: mm		CHK	R. SWING	4-26-89				
TOLERANCES UNLESS OTHERWISE SPECIFIED:		APVD	R. LUNDERGAN	4-27-89				
0 PLC \pm - 1 PLC \pm - 2 PLC \pm 0.15 3 PLC \pm - 4 PLC \pm - ANGLES \pm -		PRODUCT SPEC	108-1329			NAME	CONTACT, AMPSEAL	
MATERIAL	FINISH	APPLICATION SPEC	114-16016		SIZE	CAGE CODE	DRAWING NO	RESTRICTED TO
-	-	WEIGHT	-		A2	00779	C=770520	-
CUSTOMER DRAWING					SCALE	10:1	SHEET	1 OF 1
					REV	D4		