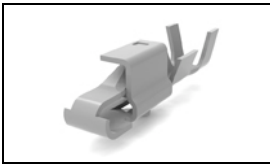


## 770522-2 Product Details

[Share](#) [Print](#) [Email](#)



**770522-2**

TE Internal Number: 770522-2

 Active

 [View 3D PDF](#)

### MTA, CST, CST-100 II and SL Contacts

 Always EU RoHS/ELV Compliant (Statement of Compliance)

#### Product Highlights:

- SL Product Line
- Applies To Wire/Cable
- Contact Type = Socket
- Contact Configuration = Standard
- Contact - Rated Current = 10 A

[View all Features](#)

### Quick Links

- ▶ [Pricing & Availability](#)
- ▶ [Search for Tooling](#)
- ▶ [Product Feature Selector](#)
- ▶ [Contact Us About This Product](#)

[Add to My Part List](#)

[Request Sample](#)

[Find Similar Products](#)

[Buy Product](#)

### Documentation & Additional Information

#### Product Drawings:

- [RECEPTACLE, SL-156, LOOSE PIECE \(PDF, English\)](#)

#### Catalog Pages/Data Sheets:

- [MTA, CST-100 II, SL-156 and AMP Economy Power \(EP\) C... \(PDF, English\)](#)

#### Product Specifications:

- [Hooded SL 156 Connectors, Gold \(PDF, English\)](#)

#### Application Specifications:

- [SL 156 Contacts and Housings \(PDF, English\)](#)

#### Instruction Sheets:

- None Available

#### CAD Files: [\(CAD Format & Compression Information\)](#)

- [2D Drawing \(DXF, Version D\)](#)
- [3D Model \(IGES, Version D\)](#)
- [3D Model \(STEP, Version D\)](#)

[List all Documents](#)

#### Additional Information:

- [Product Line Information](#)

#### Related Products:

- [Tooling](#)

### Product Features (Please use the Product Drawing for all design activity)

#### Product Type Features:

- Product Line = SL
- Wire/Cable Type = Discrete Wire

#### Mechanical Attachment:

- Contact Retention Type = Locking Lance
- Contact Retention = With

#### Electrical Characteristics:

- Contact - Rated Current (A) = 10
- Operating Voltage Reference = AC
- Operating Voltage (VAC) = 250

#### Termination Features:

- Wire/Cable Size (mm<sup>2</sup>) = 0.2 - 0.9
- Wire/Cable Size (AWG) = 18 - 24
- [Termination Method to Wire/Cable](#) = Crimp

#### Body Features:

- Wire Type = Stranded
- Underplate Material Thickness (µm [µin]) = 1.27 [50.000]

#### Contact Features:

- Contact Type = Socket
- Contact Configuration = Standard
- Contact Base Material = Phosphor Bronze
- Contact Plating, Mating Area, Material = Gold
- Contact Plating, Mating Area, Thickness (µm [µin]) = 0.76 [29.92]
- Contact Style = Hooded
- Underplate Material = Nickel

#### Industry Standards:

- [RoHS/ELV Compliance](#) = RoHS compliant, ELV compliant
- [Lead Free Solder Processes](#) = Not relevant for lead free process
- RoHS/ELV Compliance History = Always was RoHS compliant

#### Environmental:

- Operating Temperature (°C [°F]) = -55 - +105 [-67 - +221]

#### Conditions for Usage:

- Applies To = Wire/Cable
- Accepts Wire Insulation Diameter, Range (mm [in]) = 2.80 [0.110]
- For Use With = SL-156 Housings

#### Packaging Features:

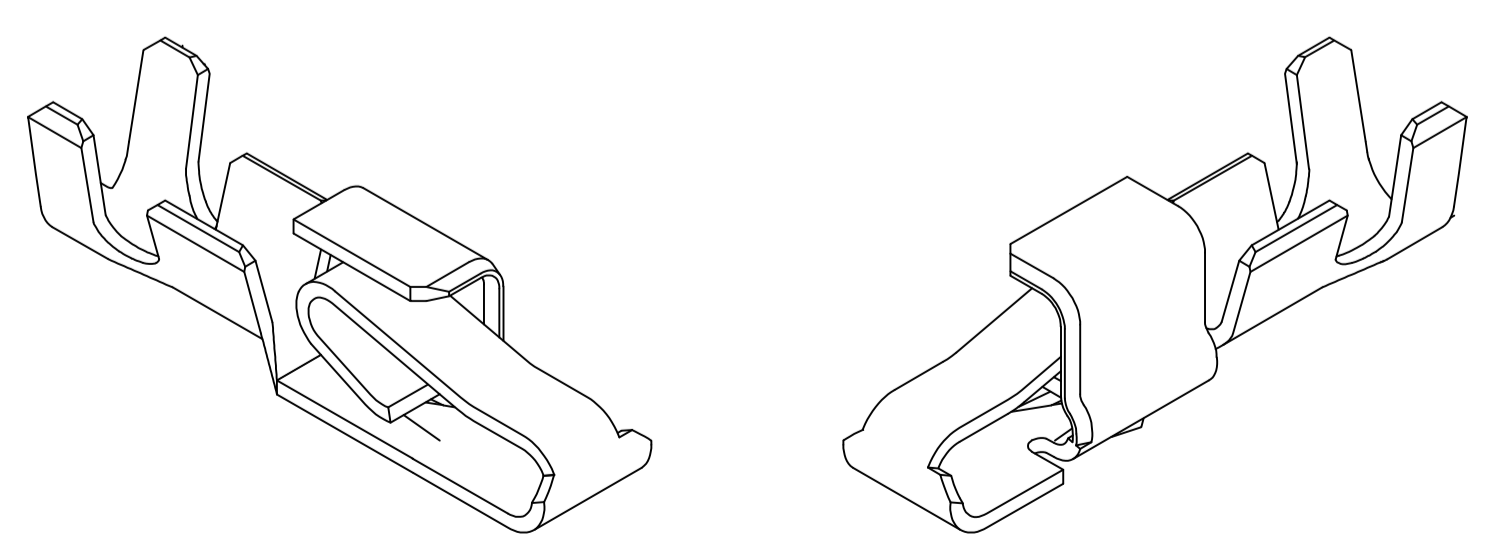
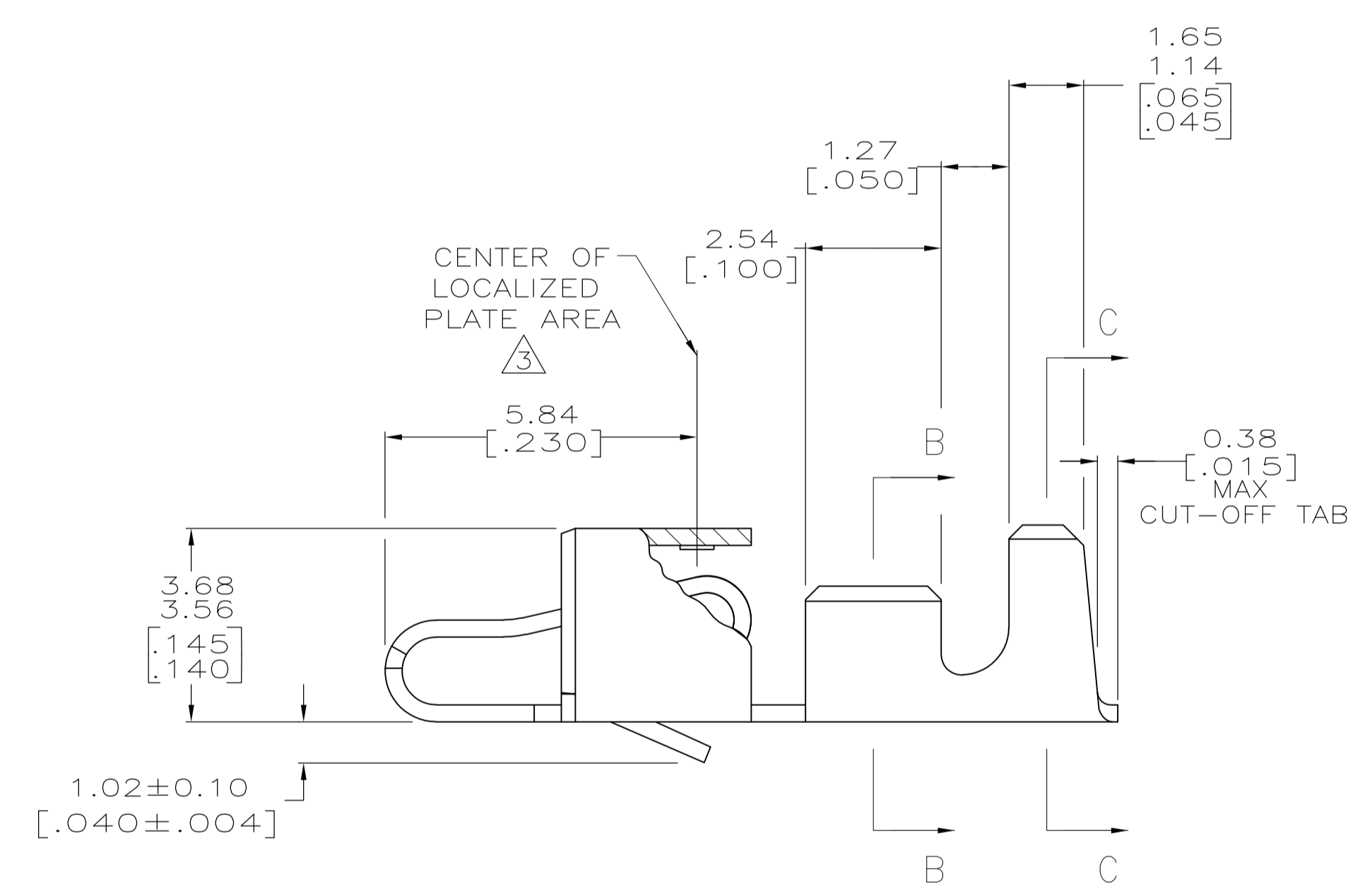
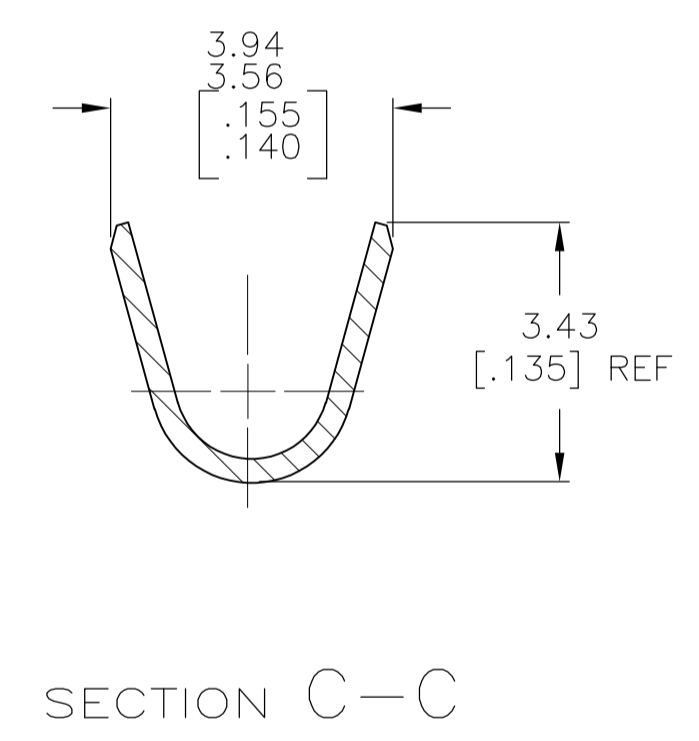
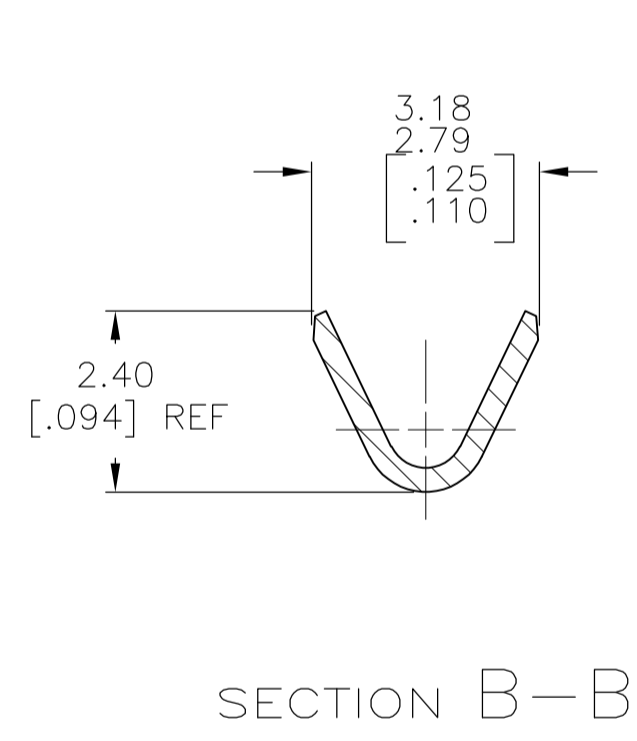
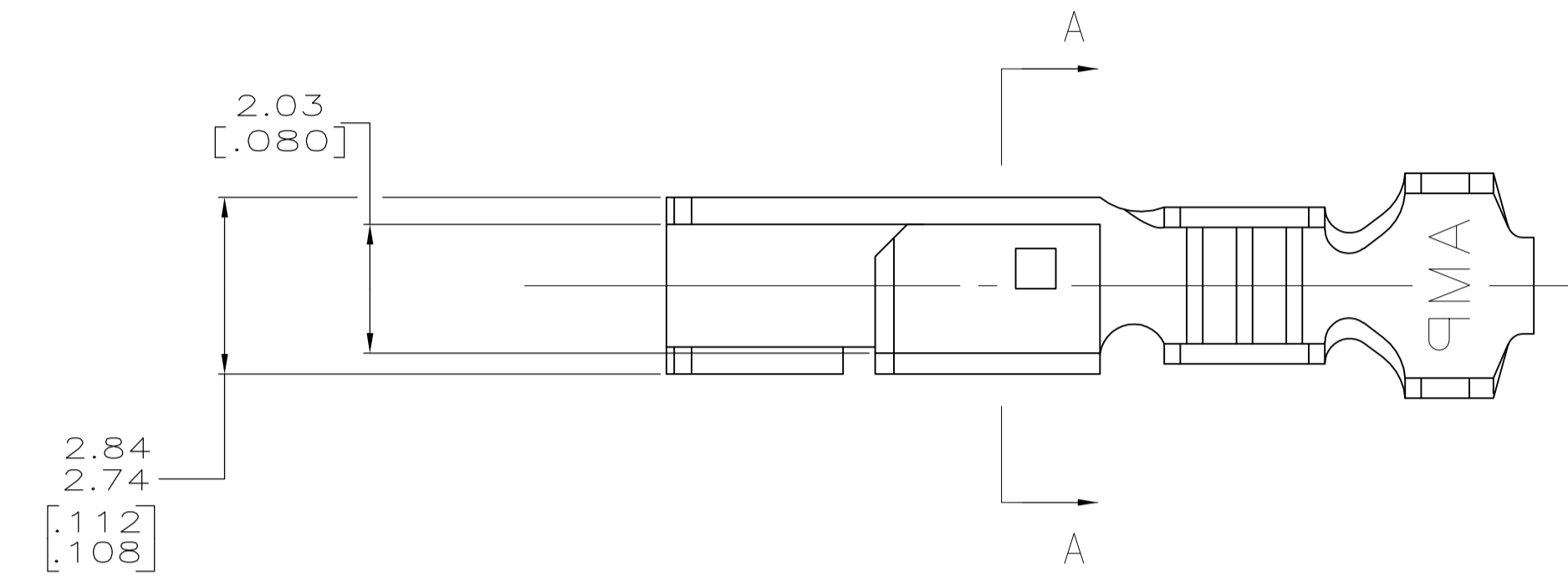
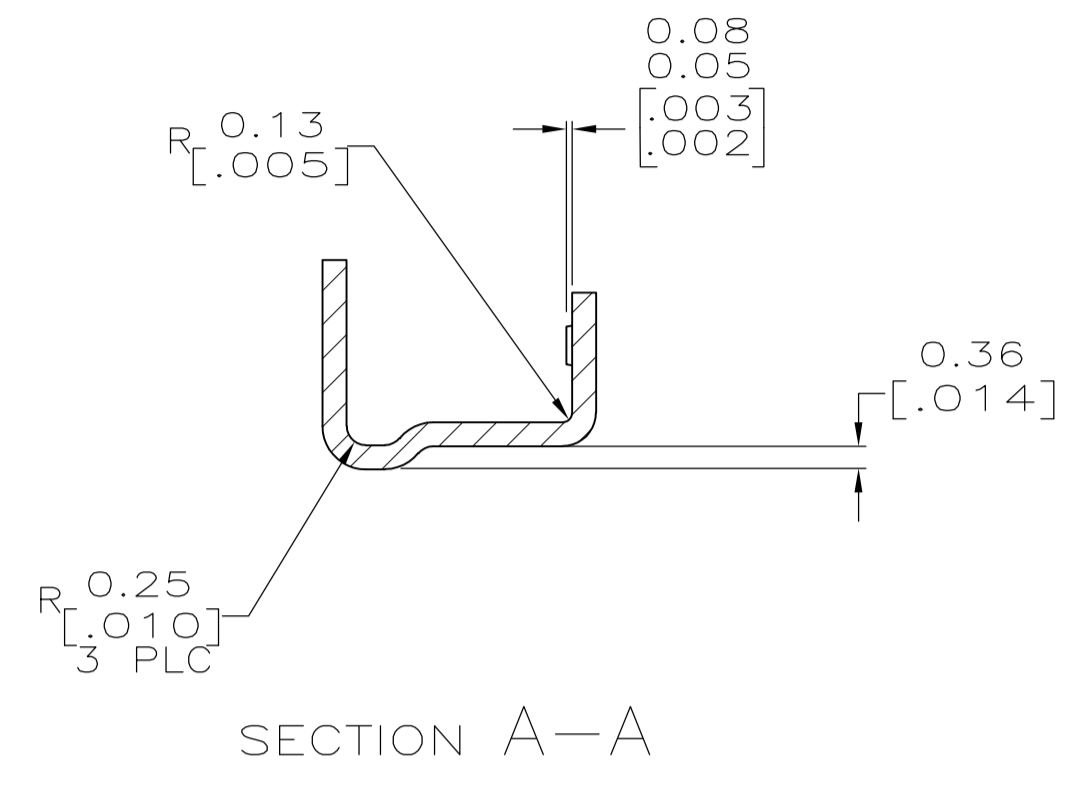
- Packaging Method = Bag
- Packaging Quantity = 1,000

#### Other:

- Brand = AMP

LOC		DIST		REVISIONS			
P	LTR	DESCRIPTION	DATE	DMN	APVD		
E1		REVISED PER ECO-11-004587	11MAR11	RK	HMR		

- INSULATION RANGE: 1.09-2.79 [.043-.110]  
WIRE RANGE: 0.2-0.9 mm (24-18) AWG.
- 0.00203 [.000080] MIN BRIGHT TIN-LEAD OVER 0.00127 [.000050] MIN NICKEL.
- 0.00076 [.000030] MIN THICK GOLD STRIPES IN LOCALIZED PLATE AREA ON BEAM AND DIMPLE OVER 0.00127 [.000050] MIN THICK NICKEL OVER ENTIRE CONTACT.
- DIMENSIONS IN BRACKETS ARE IN INCHES.
- 0.00203 [.000080] MIN BRIGHT TIN OVER 0.00127 [.000050] MIN NICKEL.



3-DIMENSIONAL MODELS NTS

METRIC

△	3-770522-1
△	770522-2
△	770522-1
FINISH	PART NUMBER

THIS DRAWING IS A CONTROLLED DOCUMENT.		DIN		K. WHITAKER		17MAY3006	
DIMENSIONS: mm [INCHES]		TOLERANCES UNLESS OTHERWISE SPECIFIED:		CHK		17MAY2006	
0 PLC	± -	APVD		J. ELLIS		17MAY2006	
1 PLC	± -	NAME		J. ELLIS		RECEPTACLE, SL-156, LOOSE PIECE	
2 PLC	± -	PRODUCT SPEC		APPLICATION SPEC		-	
3 PLC	± 0.13 [.005]	SIZE		CAGE CODE		DRAWING NO	
4 PLC	± -	WEIGHT		A1		00779C=770522	
ANGLES	± -	CUSTOMER DRAWING		SCALE		10:1	
MATERIAL	.318 [.0125] PH BRZ	FINISH		SHEET		1 OF 1	
				REV		E1	