

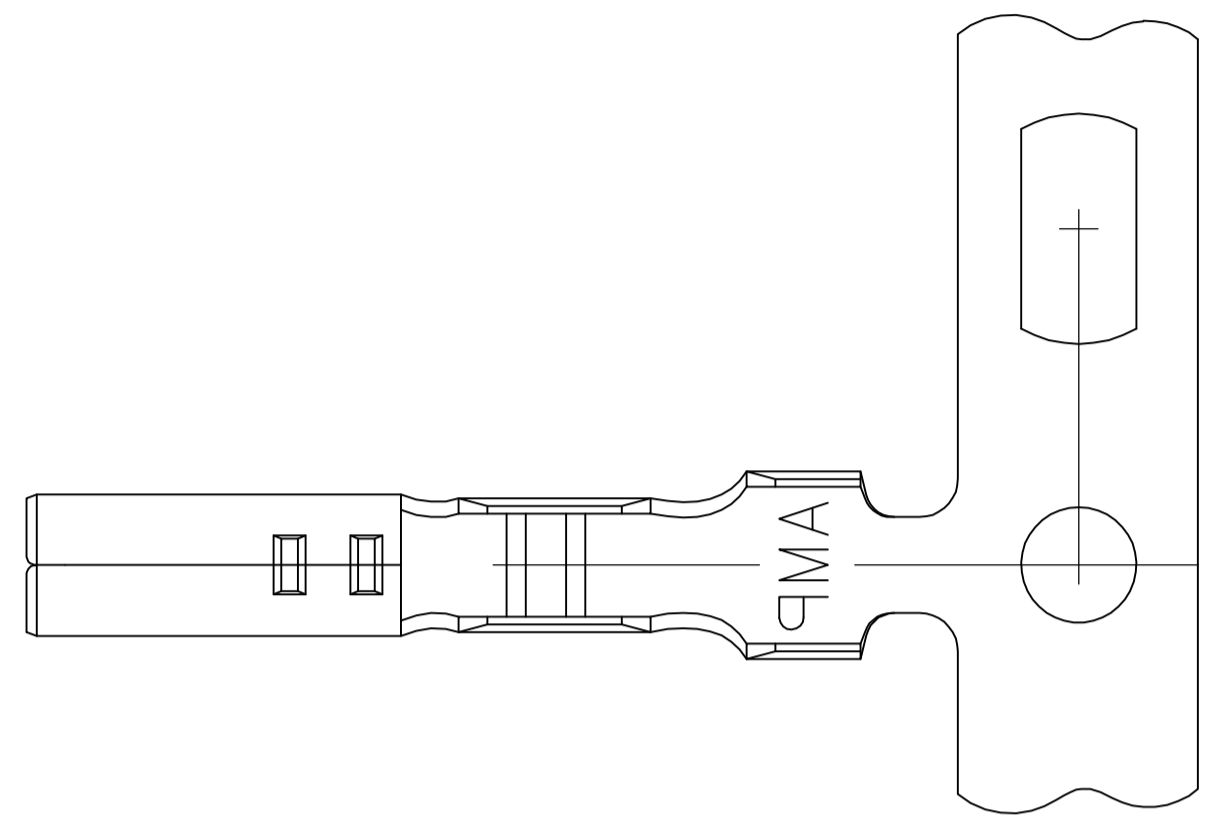
Distributed by:

**JAMECO**<sup>®</sup>  
ELECTRONICS

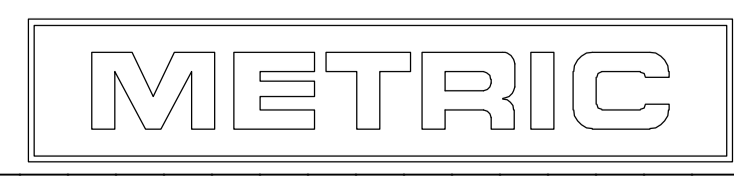
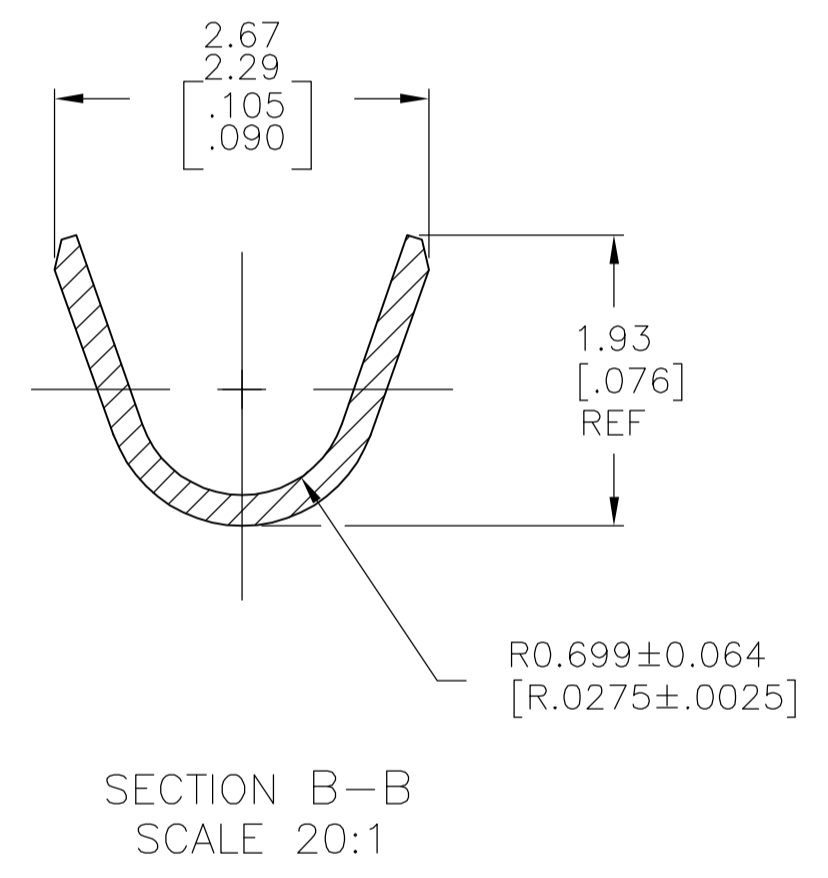
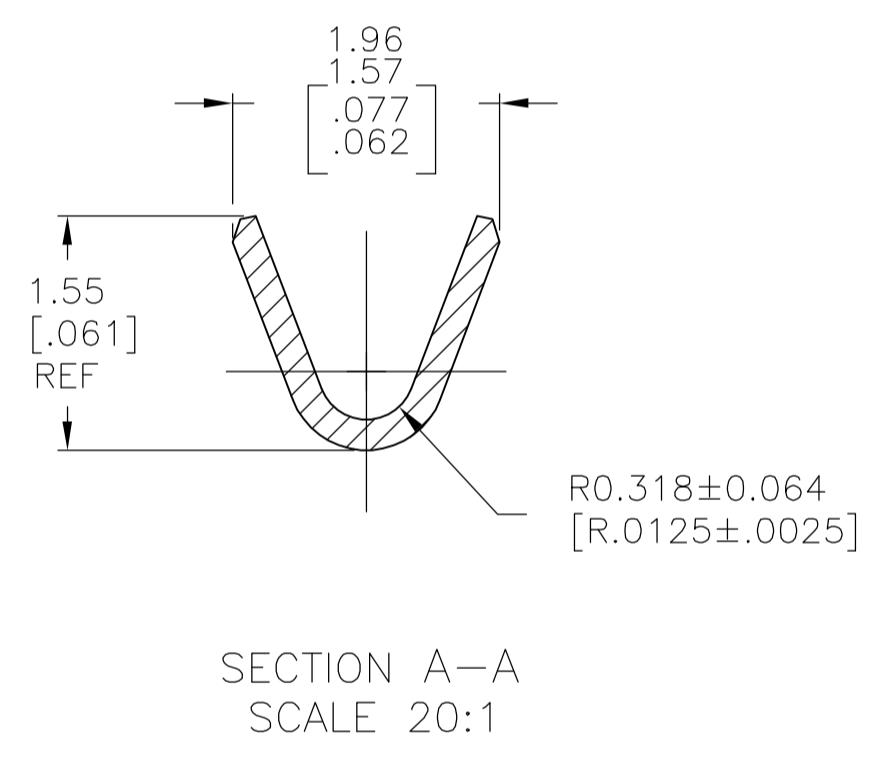
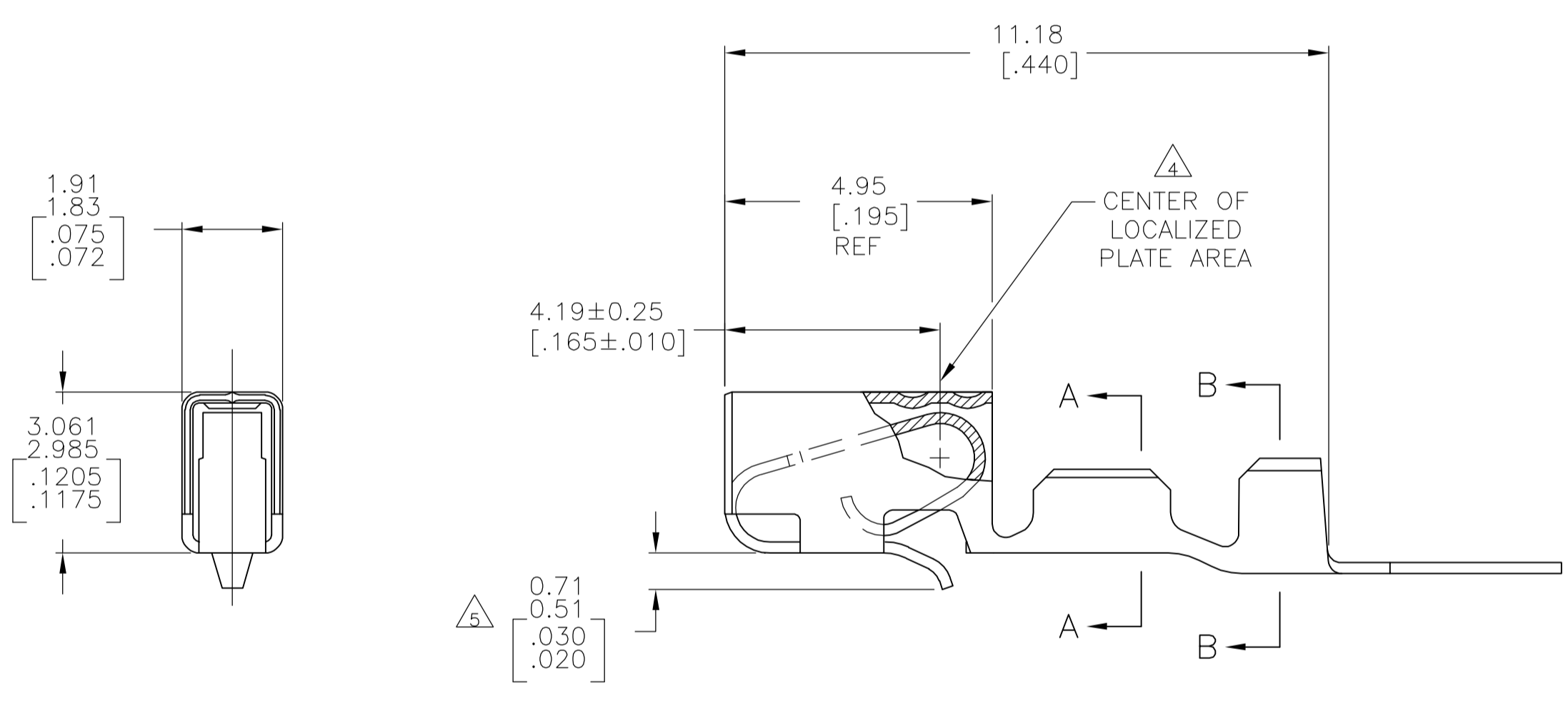
**www.Jameco.com ♦ 1-800-831-4242**

The content and copyrights of the attached  
material are the property of its owner.

Jameco Part Number 985410



1. WIRE RANGE: 0.13 - 0.35 mm<sup>2</sup> (26-22 AWG) .
  2. INSULATION RANGE: 0.89 - 1.65 [.035 - .065] DIA. LARGER SIZES OF 1.68 - 1.91 [.066 - .075] DIA INSULATION REQUIRES WIRE AND CRIMP EVALUATION FROM AMP INCORPORATED.
  3. DIMENSIONS IN BRACKETS ARE IN INCHES.
- △ 0.00076 [.000030] MIN THK GOLD STRIPES IN LOCALIZED PLATE AREA ON BEAM AND DIMPLE OVER 0.00127 [.000050] MIN THK NICKEL OVER ENTIRE CONTACT.
  - △ 5 AFTER PACKAGING AND SHIPMENT, A LANCE HEIGHT 0.46 - 0.71 [.018 - .030] IS PERMISSABLE.
  - △ 6 PRE-TIN MAY OR MAY NOT HAVE NICKEL UNDERPLATE.



△ 4	770601-2
PRE-TIN △ 6	770601-1
FINISH	PART NUMBER

THIS DRAWING IS A CONTROLLED DOCUMENT.		DWN K. WHITAKER 17FEB05	 Tyco Electronics Corporation Harrisburg, Pa 17105-3608
DIMENSIONS: mm [INCHES]		CHK D. ROSSI 17FEB05	
TOLERANCES UNLESS OTHERWISE SPECIFIED:		APVD D. ROSSI 17FEB05	NAME RECEPTACLE, CST-100
0 PLC ± -	1 PLC ± -	PRODUCT SPEC	APPLICATION SPEC
2 PLC ± -	3 PLC ± 0.13 [.005]	ANGLE	FINISH
4 PLC ± -	SEE TABLE	WEIGHT	RESTRICTED TO
MATERIAL 0.198 PH BRZ	FINISH SEE TABLE	SIZE A1	CAGE CODE 00779
CUSTOMER DRAWING		DRAWING NO 770601	SCALE 10:1
		SHEET 1 OF 1	REV L