

Distributed by:

**JAMECO**<sup>®</sup>  
ELECTRONICS

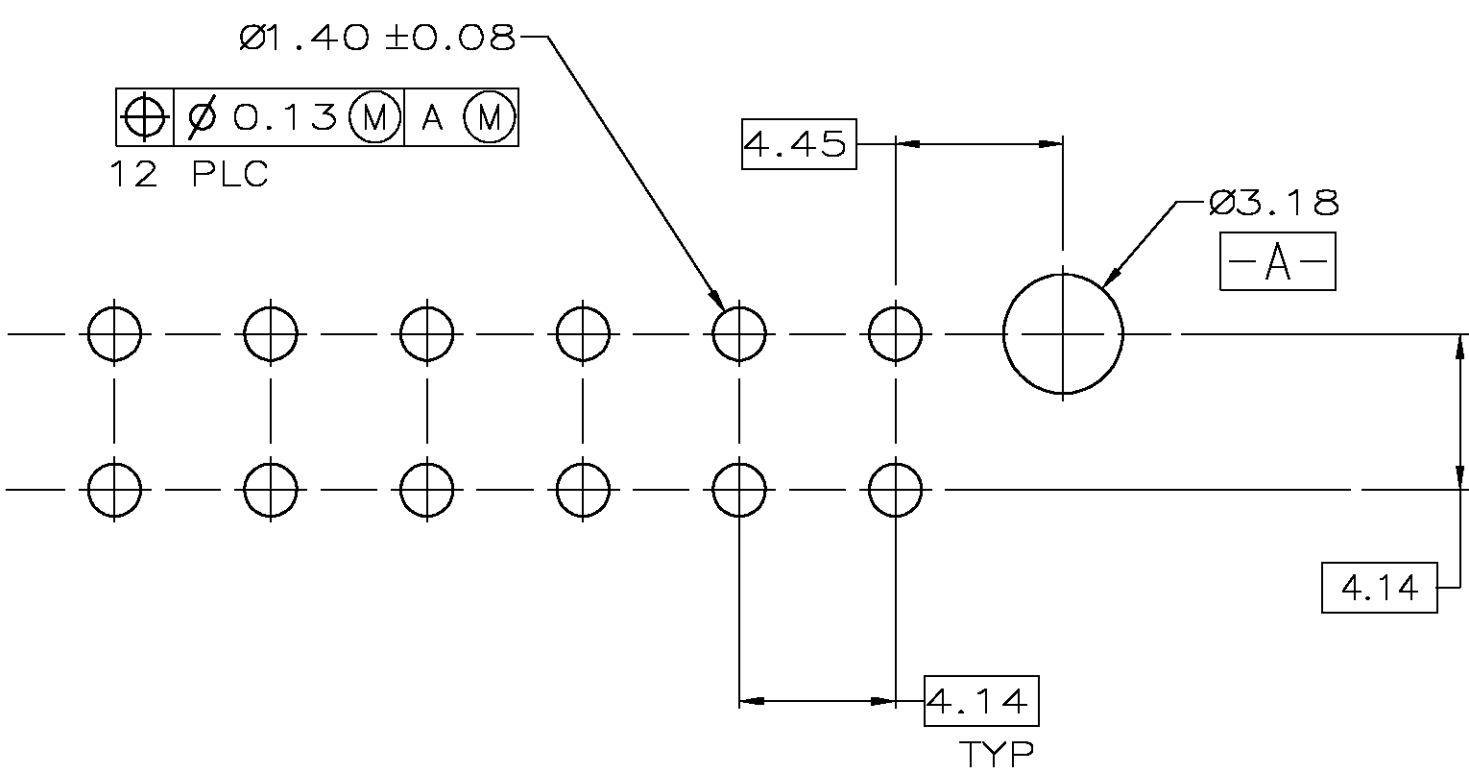
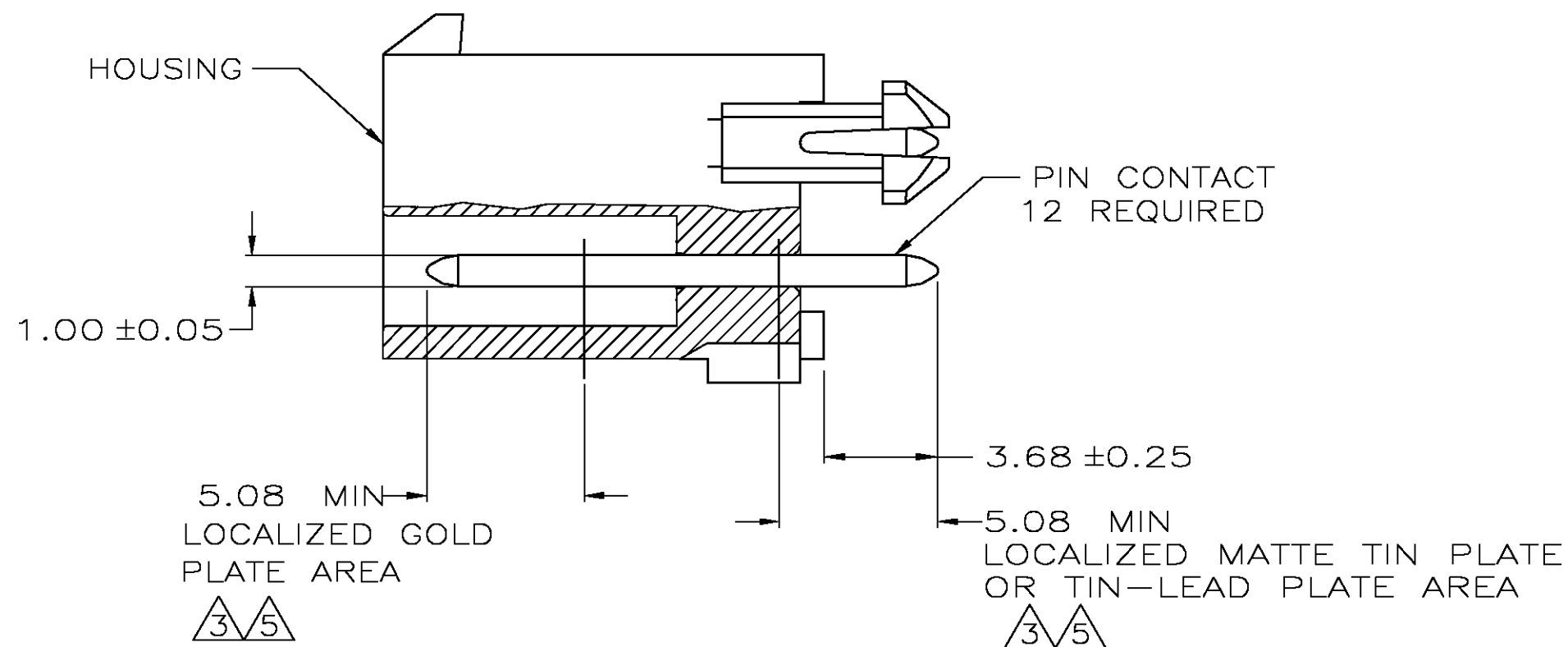
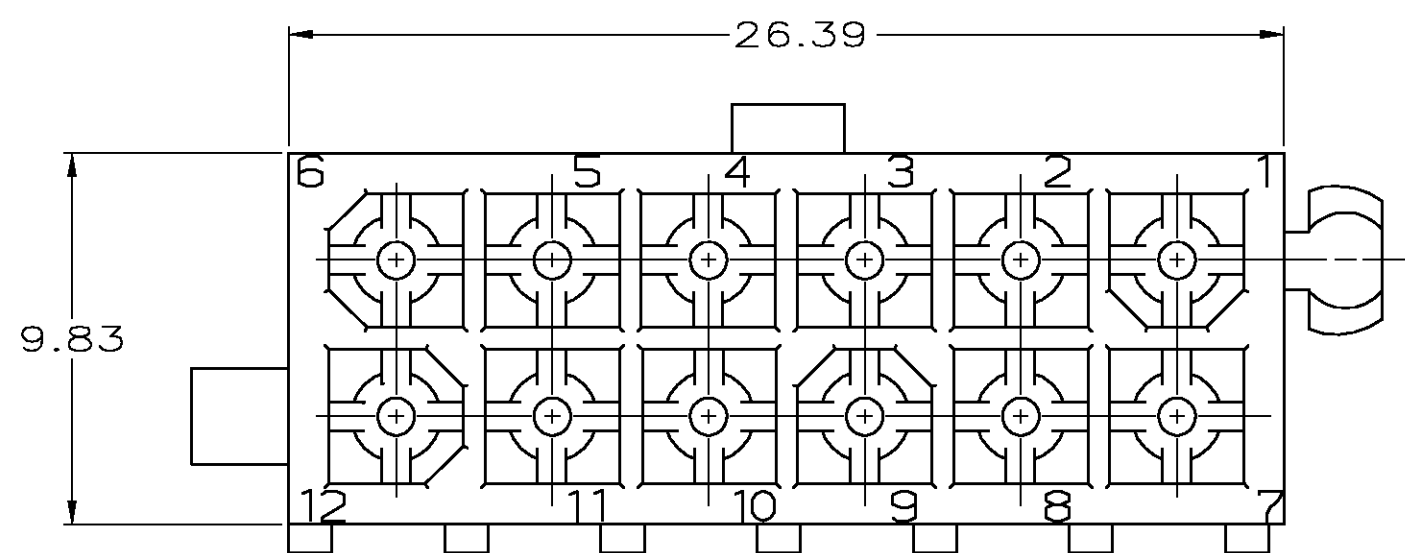
**www.Jameco.com ♦ 1-800-831-4242**

The content and copyrights of the attached  
material are the property of its owner.

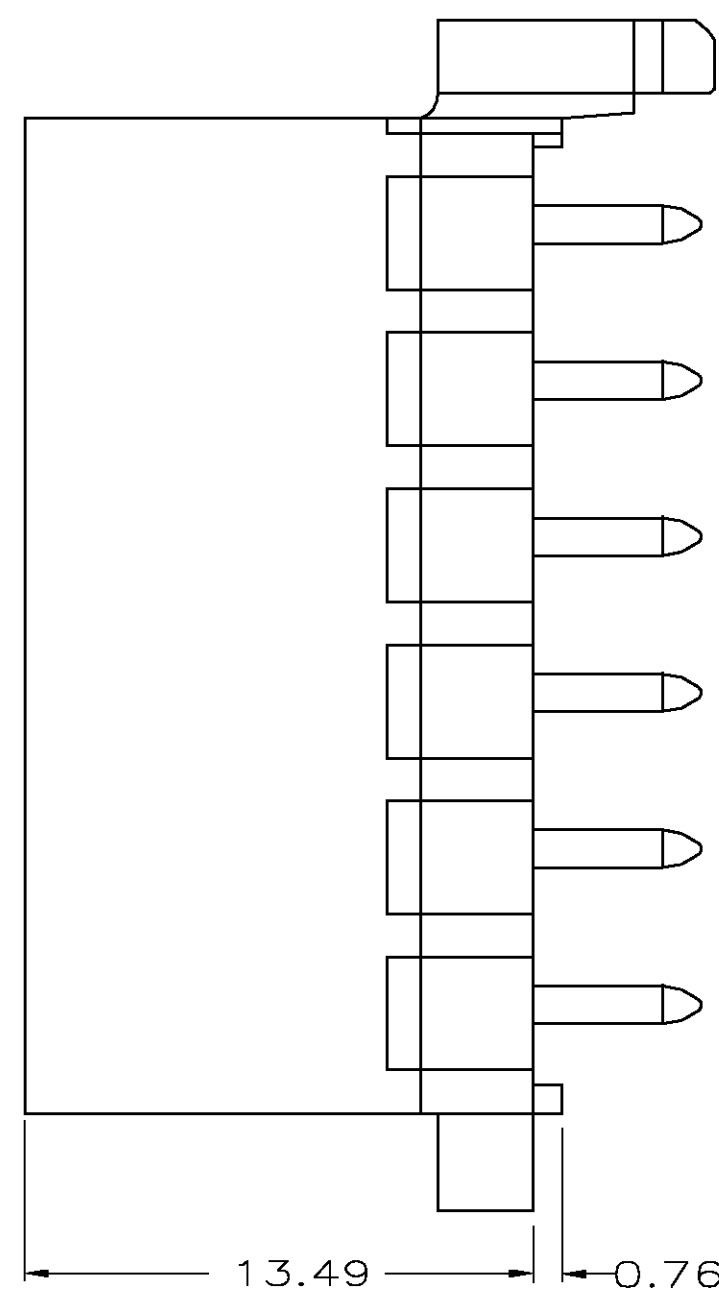
Jameco Part Number 839236

THIS DRAWING IS UNPUBLISHED. RELEASED FOR PUBLICATION  
 © COPYRIGHT BY TYCO ELECTRONICS CORPORATION. ALL RIGHTS RESERVED.

LOC		DIST		REVISIONS			
P	LTR	DESCRIPTION		DATE	DWN	APVD	
	K	REVISED PER 0G3B-0211-05		6/8/05	SS	RJ	



RECOMMENDED HOLE PATTERN FOR 1.57 THICK BOARD



- PINS TO COMPLY WITH AMP SOLDERABILITY SPEC. 109-11-3.
- 0.00381 MIN MATTE TIN LEAD OVER 0.00127 MIN NICKEL.
- 0.00076 MIN GOLD PLATE IN THE LOCALIZED PLATE AREA, 0.00381 MATTE TIN LEAD IN THE LOCALIZED PLATE AREA, BOTH OVER 0.00127 MIN NICKEL.
- 0.00381 MIN MATTE TIN OVER 0.00127 MIN NICKEL.
- 0.00076 MIN GOLD PLATE IN THE LOCALIZED PLATE AREA, 0.00381 MATTE TIN IN THE LOCALIZED PLATE AREA, BOTH OVER 0.00127 MIN NICKEL.

MATERIAL	FINISH	MATERIAL	COLOR	PART NO.
BRASS, GOLD	5	NYLON, UL94V-0	WHITE	1-770621-1
BRASS, TIN	4	NYLON, UL94V-0	WHITE	1-770621-0
BRASS, GOLD	3	NYLON, UL94V-0	WHITE	770621-2
BRASS, TIN-LEAD	2	NYLON, UL94V-0	WHITE	770621-1

THIS DRAWING IS A CONTROLLED DOCUMENT.

DWN S CARPENTER	08JUN05	Tyco Electronics Corporation Harrisburg, Pa 17105-3608
CHK R JONES	12AUG2003	
APVD R JONES	12AUG2003	
PRODUCT SPEC		
MATERIAL	FINISH	NAME HEADER ASSEMBLY, CLOSED BOTTOM, 12 CKT, DOUBLE ROW VERTICAL, MINI UNIVERSAL MATE-N-LOK
DIMENSIONS: mm		SIZE A2
TOLERANCES UNLESS OTHERWISE SPECIFIED:		CAGE CODE 00779
0 PLC ± -		DRAWING NO C=770621
1 PLC ± -		RESTRICTED TO
2 PLC ± 0.13		
3 PLC ± -		
4 PLC ± -		
ANGLES ± -		
WEIGHT		SCALE 5:1
CUSTOMER DRAWING		SHEET 1 OF 1
		REV K