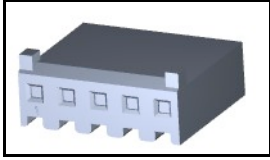


## 770849-5 Product Details

[Share](#) [Print](#) [Email](#)




**770849-5**

TE Internal Number: 770849-5

 **Active**

[View 3D PDF](#)

### MTA, CST-100 II, MT-6 and SL Connectors and Headers

 Always EU RoHS/ELV Compliant  
(Statement of Compliance)

#### Product Highlights:

- SL-156 Product Line
- SL Series Series
- Wire-to-Board
- Applies To Wire/Cable
- Connector

[View all Features](#)

### Quick Links

- ▶ [Pricing & Availability](#)
- ▶ [Search for Tooling](#)
- ▶ [View Mating Products \(45\)](#)
- ▶ [Product Feature Selector](#)
- ▶ [Contact Us About This Product](#)

[Add to My Part List](#)

[Request Sample](#)

[Find Similar Products](#)

[Buy Product](#)

### Documentation & Additional Information

#### Product Drawings:

- [HOUSING WITH LOCKING RAMP AND POLARIZING TABS, SL-156](#) (PDF, English)

#### Catalog Pages/Data Sheets:

- [MTA, CST-100 II, SL-156 and AMP Economy Power \(EP\) C...](#) (PDF, English)

#### Product Specifications:

- [SL 156 Connectors](#) (PDF, English)
- [Hooded SL 156 Connectors, Gold](#) (PDF, English)
- [Hooded SL 156 Connectors, Tin](#) (PDF, English)

#### Application Specifications:

- [SL 156 Contacts and Housings](#) (PDF, English)

#### Instruction Sheets:

- None Available

#### CAD Files: (CAD Format & Compression Information)

- [2D Drawing](#) (DXF, Version Z)
- [3D Model](#) (IGES, Version Z)
- [3D Model](#) (STEP, Version Z)

[List all Documents](#)

#### Additional Information:

- [Product Information](#)
- [Product Line Information](#)

#### Additional Product Images:

- [Product Photo](#)

#### Related Products:

- [Tooling](#)
- [Mating Products \(45\)](#)

### Product Features (Please use the Product Drawing for all design activity)

#### Product Type Features:

- Product Line = SL-156
- Series = SL Series
- Product Type = Connector
- Connector Type = Housing
- PCB Mount Retention = Without
- PCB Mount Alignment = Without
- Strain Relief = Without
- Sealed = No
- UL File Number = E28476
- CSA File Number = LR7189

#### Mechanical Attachment:

#### Configuration Features:

- [Number of Positions](#) = 5
- [Post Number\(s\) Omitted](#) = None
- [Backwall/Post Interruption\(s\)](#) = Without
- Number of Rows = 1

#### Industry Standards:

- [RoHS/ELV Compliance](#) = RoHS compliant, ELV compliant
- [Lead Free Solder Processes](#) = Not relevant for lead free process
- [RoHS/ELV Compliance History](#) = Always was RoHS compliant
- [Agency/Standard](#) = CSA, UL

- Contact Retention = Without
- Mating Retention Type = Locking Ramp
- [Panel Mount Retention](#) = Without

**Electrical Characteristics:**

- Operating Voltage Reference = AC
- Operating Voltage (VAC) = 250

**Body Features:**

- Mating Retention = With
- Assembly Integration Feature = Without

**Contact Features:**

- Contact Type = Socket
- Contact Layout = In-Line
- Multiple Contact Types = Without

**Housing Features:**

- Connector Style = Receptacle
- Centerline (mm [in]) = 3.96 [0.156]
- Housing Style = Standard
- Housing Material = Nylon
- Housing Color = Natural
- [Mating Alignment](#) = With
- Mating Alignment Type = Polarization
- UL Flammability Rating = UL 94V-0

- UL Rating = Listed
- CSA Rating = Certified

**Environmental:**

- Operating Temperature (°C [°F]) = -55 - +105 [-67 - +221]

**Conditions for Usage:**

- [Applies To](#) = Wire/Cable
- For Use With = SL .156 Contacts

**Operation/Application:**

- Application Use = Wire-to-Board

**Packaging Features:**

- Packaging Method = Bag
- Packaging Quantity = 500

**Other:**

- Brand = AMP
- Comment = Unit Accepts 1.14[.045] Square or Round Post, Accepts Keying Plug 640254-1and 640255-1

**Corporate Information**

- [About TE](#)
- [Investors](#)
- [News Room](#)
- [Supplier Portal](#)
- [Careers](#)
- [Terms & Conditions](#)
- [Privacy Policy](#)

**Quick Links**

- [Distributor Inventory](#)
- [Product Cross Reference](#)
- [Documents & Drawings](#)
- [Product Compliance Support Center](#)
- [Site Map](#)

**Customer Support**

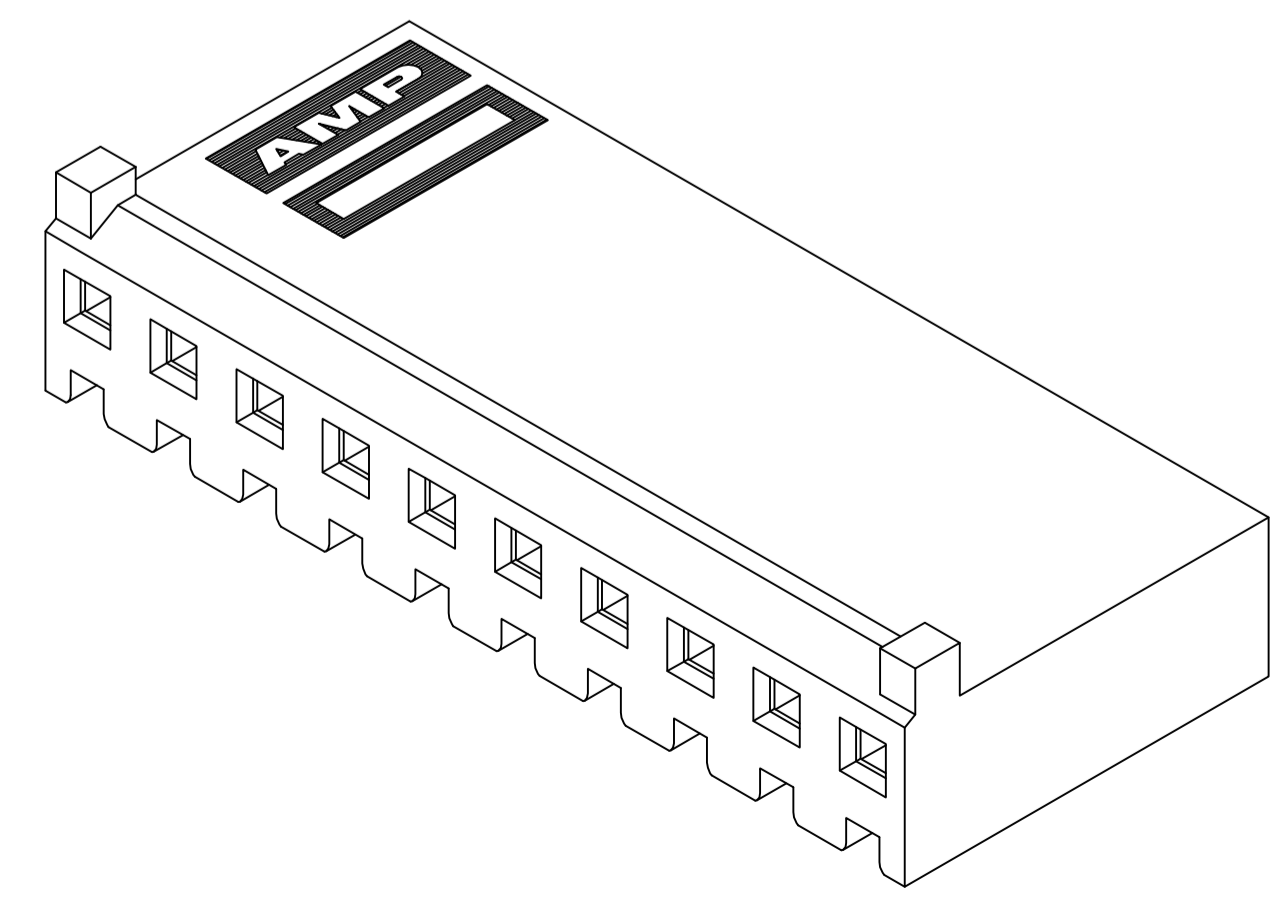
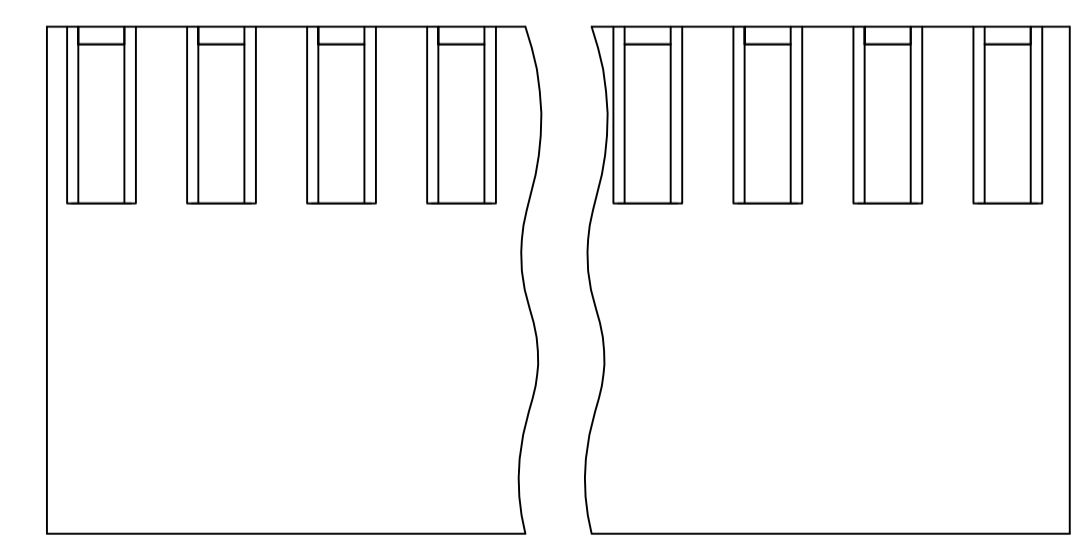
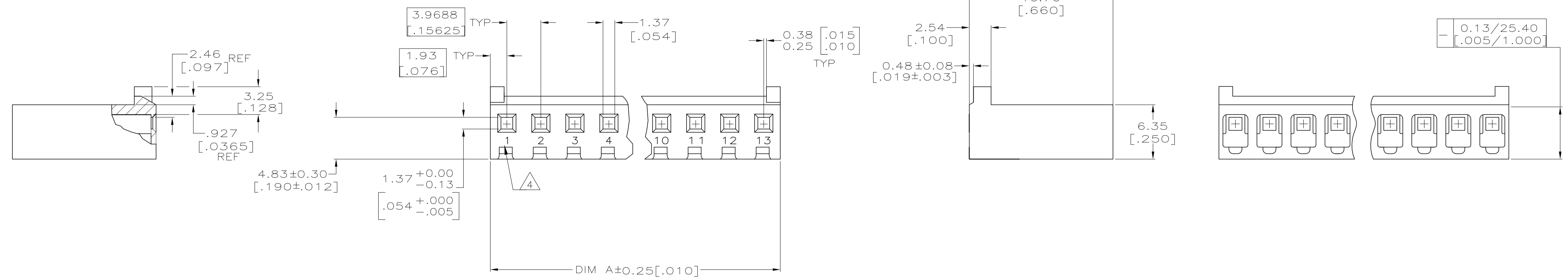
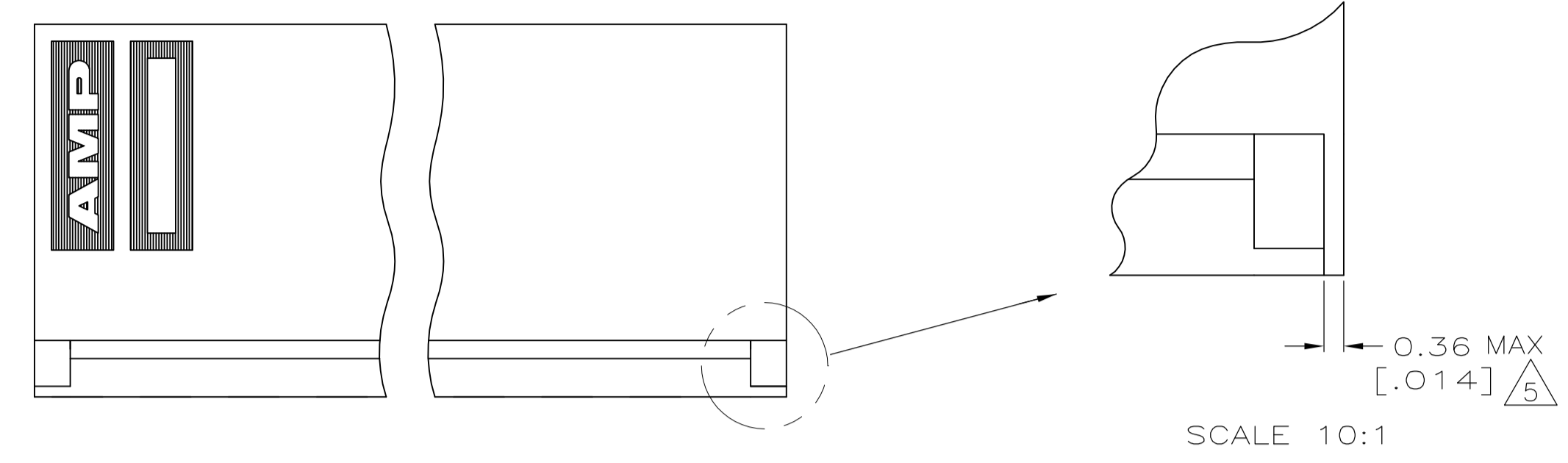
- [Email or Chat With Us](#)
- [Find a Phone Number](#)
- [Knowledge Base](#)
- [Manage Your Account](#)

**Keep Me Informed**



LOC		DIST		REVISIONS			
P	LTR	DESCRIPTION	DATE	DMN	APVD		
P		REVISED PER ECO-12-007807	27JUL12	KH	SM		

- 1 UNIT ACCEPTS 1.14[.045] SQUARE OR ROUND POST.
- 2 UNIT ACCEPTS STANDARD SL-156 CONTACTS.
- 3 UNIT ACCEPTS KEYING PLUG 640254-1 AND KEYING PIN 640255-1.
- 4 IDENTIFICATION NUMBER FOR ALL POSITIONS, OR FOR POSITION 1 ONLY, WILL BE LOCATED AS SHOWN.
- 5 OPTIONAL CONSTRUCTION, BOTH ENDS.
- 6 DIMENSIONS IN BRACKETS ARE IN INCHES.



1-770849-3 SHOWN

DIM A	NO OF POSN	PART NUMBER
95.15[3.746]	24	2-770849-4
91.19[3.590]	23	2-770849-3
87.20[3.433]	22	2-770849-2
83.24[3.277]	21	2-770849-1
79.27[3.121]	20	2-770849-0
75.31[2.965]	19	1-770849-9
71.30[2.807]	18	1-770849-8
67.34[2.651]	17	1-770849-7
63.40[2.496]	16	1-770849-6
59.44[2.340]	15	1-770849-5
55.45[2.183]	14	1-770849-4
51.49[2.027]	13	1-770849-3
47.52[1.871]	12	1-770849-2
43.56[1.715]	11	1-770849-1
39.57[1.558]	10	1-770849-0
35.61[1.402]	9	770849-9
31.65[1.246]	8	770849-8
27.69[1.090]	7	770849-7
23.70[.933]	6	770849-6
19.74[.777]	5	770849-5
15.77[.621]	4	770849-4
11.81[.465]	3	770849-3
7.82[.308]	2	770849-2

THIS DRAWING IS A CONTROLLED DOCUMENT.		DIN K SALMON 5-22-91		STE TE Connectivity	
DIMENSIONS: INCHES		TOLERANCES UNLESS OTHERWISE SPECIFIED:		NAME: HOUSING WITH LOCKING RAMP AND POLARIZING TABS, SL-156	
0 PLC	± -	APVD D WORTHINGTON 5-22-91	PRODUCT SPEC	SIZE	CAGE CODE DRAWING NO
1 PLC	± -	APVD R SWING	APPLICATION SPEC	WEIGHT	A1 00779 C=770849
2 PLC	± -	APVD D WORTHINGTON	RESTRICTED TO	CUSTOMER DRAWING	SCALE 4:1 SHEET 1 OF 1 REV P
3 PLC	± 0.13 [.005]				
4 PLC	± -				
ANGLES	± -				
MATERIAL NYLON,UL 94V-0 NATURAL	FINISH -				