

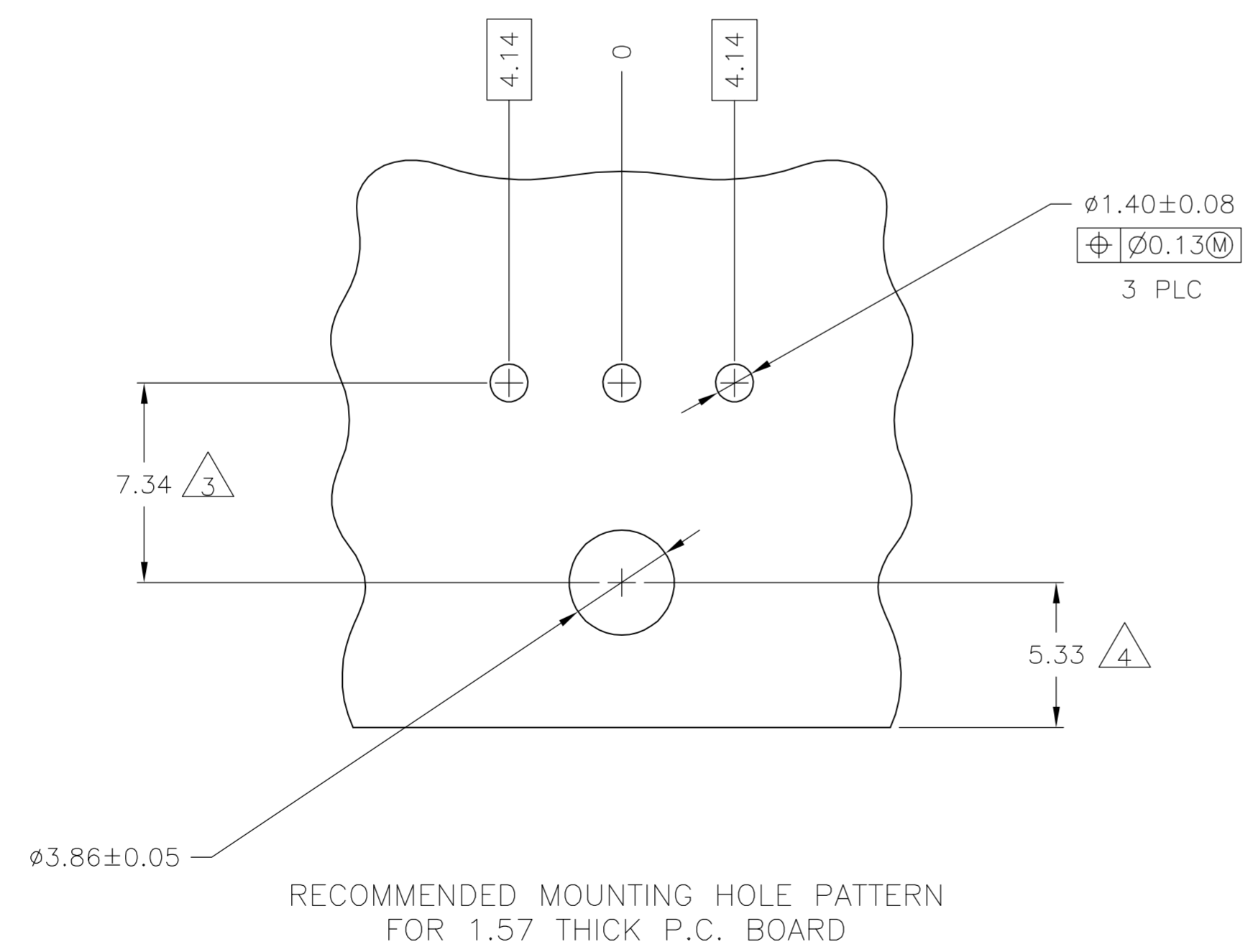
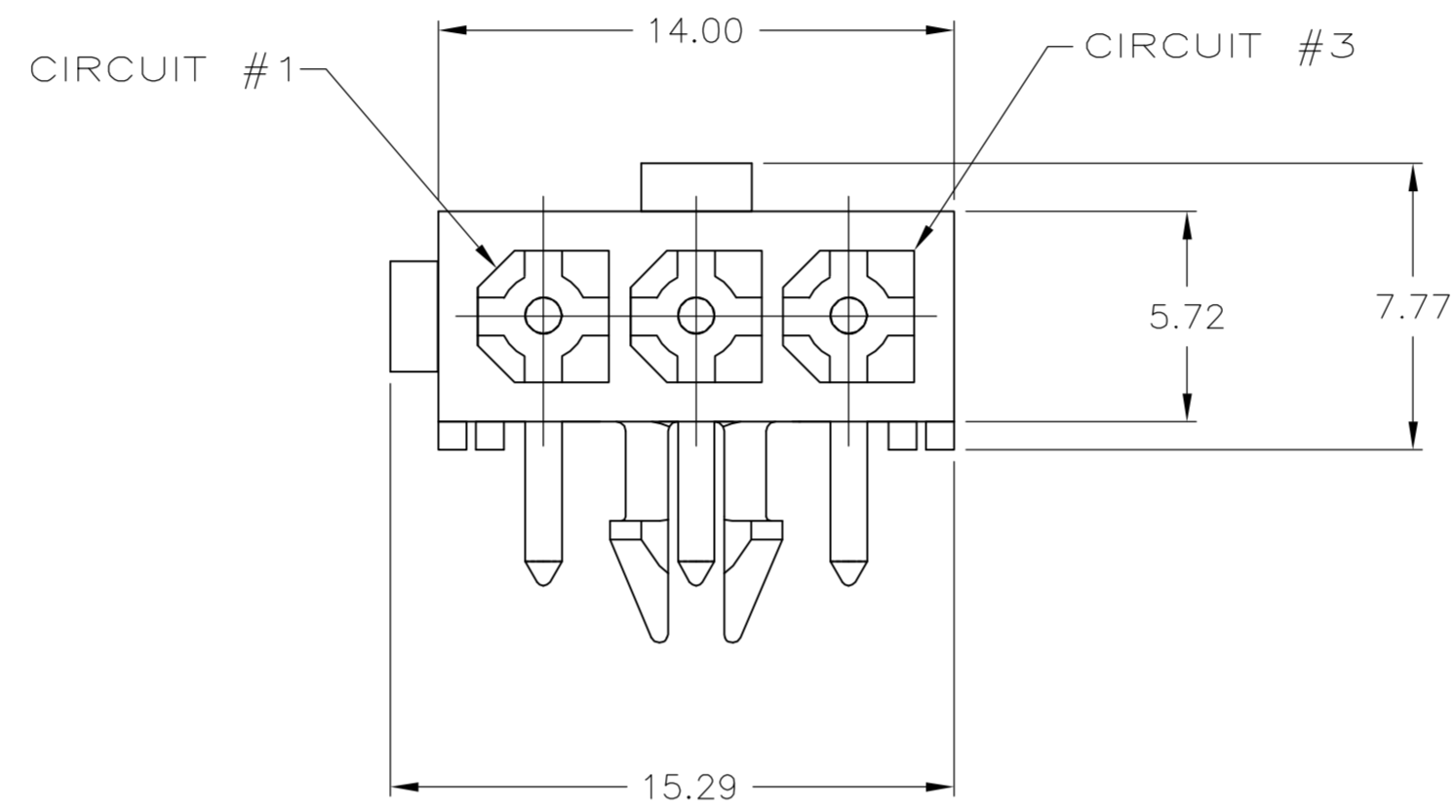
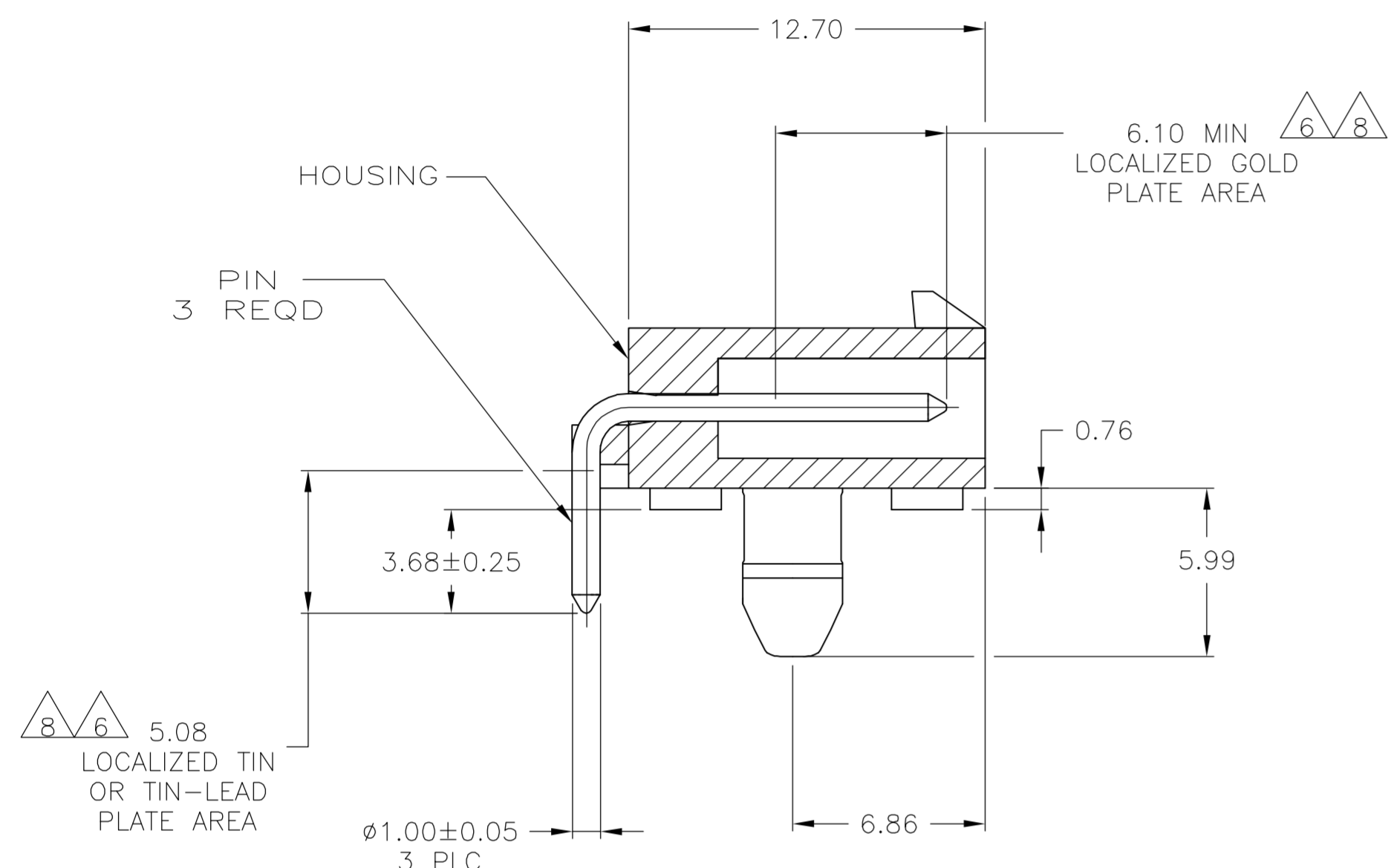
Distributed by:

JAMECO[®]
ELECTRONICS

www.Jameco.com ♦ 1-800-831-4242

The content and copyrights of the attached
material are the property of its owner.

Jameco Part Number 839447



1. PINS TO COMPLY WITH AMP SOLDERABILITY SPEC 109-11-3.
2. MATES WITH PLUG P/N 172166-1.
3. COORDINATE DIMENSION APPLIES FROM CENTER OF ACTUAL FEATURE.
4. RECOMMENDED FOR EDGE MOUNTING.
5. 0.00381 MIN MATTE TIN LEAD OVER 0.00127 MIN NICKEL ENTIRE LENGTH OF PIN.
6. 0.00076 MIN GOLD PLATE IN THE LOCALIZED PLATE AREA, 0.00381 MIN MATTE TIN LEAD IN THE LOCALIZED PLATE AREA, BOTH OVER 0.00127 MIN NICKEL.
7. 0.00381 MIN MATTE TIN OVER 0.00127 MIN NICKEL ENTIRE LENGTH OF PIN.
8. 0.00076 MIN GOLD PLATE IN THE LOCALIZED GOLD PLATE AREA, 0.00381 MIN MATTE TIN IN THE LOCALIZED TIN PLATE AREA, BOTH OVER 0.00127 MIN NICKEL.

1.57	.062	14.00	.551
1.40	.055	12.70	.500
1.00	.039	7.34	.289
0.76	.030	6.86	.270
0.25	.010	5.99	.236
0.13	.005	5.72	.225
0.08	.003	5.33	.210
0.05	.002	5.08	.200
0.00381	.000150	4.14	.163
0.00127	.000050	3.86	.152
0.00076	.000030	3.68	.145
MM	IN	MM	IN

CONVERSION TABLE

BRASS	8	NYLON, UL94V-0	WHITE	1-770967-1
BRASS	7	NYLON, UL94V-0	WHITE	1-770967-0
BRASS	6	NYLON, UL94V-0	WHITE	770967-2
BRASS	5	NYLON, UL94V-0	WHITE	770967-1
MATERIAL	FINISH	MATERIAL	COLOR	PART NO.

THIS DRAWING IS A CONTROLLED DOCUMENT.

DIMENSIONS: mm	TOLERANCES UNLESS OTHERWISE SPECIFIED:	DWN S. CARPENTER 24JUL03	tyco Electronics Tyco Electronics Corporation Harrisburg, PA 17105-3608
0 PLC ± -	1 PLC ± -	CHK C. JONES 24JUL03	APVD G. JONES 24JUL03
2 PLC ± -	3 PLC ± 0.13	NAME HEADER ASSEMBLY, RIGHT ANGLE, WITH SHORT PEG, 3 CIRCUIT, MINI UNIVERSAL MATE-N-LOK(TM)	
4 PLC ± -	ANGLES ± -	APPLICATION SPEC	SIZE A1
MATERIAL SEE TABLE	FINISH SEE TABLE	WEIGHT -	CAGE CODE DRAWING NO 00779 C=770967
CUSTOMER DRAWING		SCALE 5:1	SHEET 1 OF 1 REV F

