

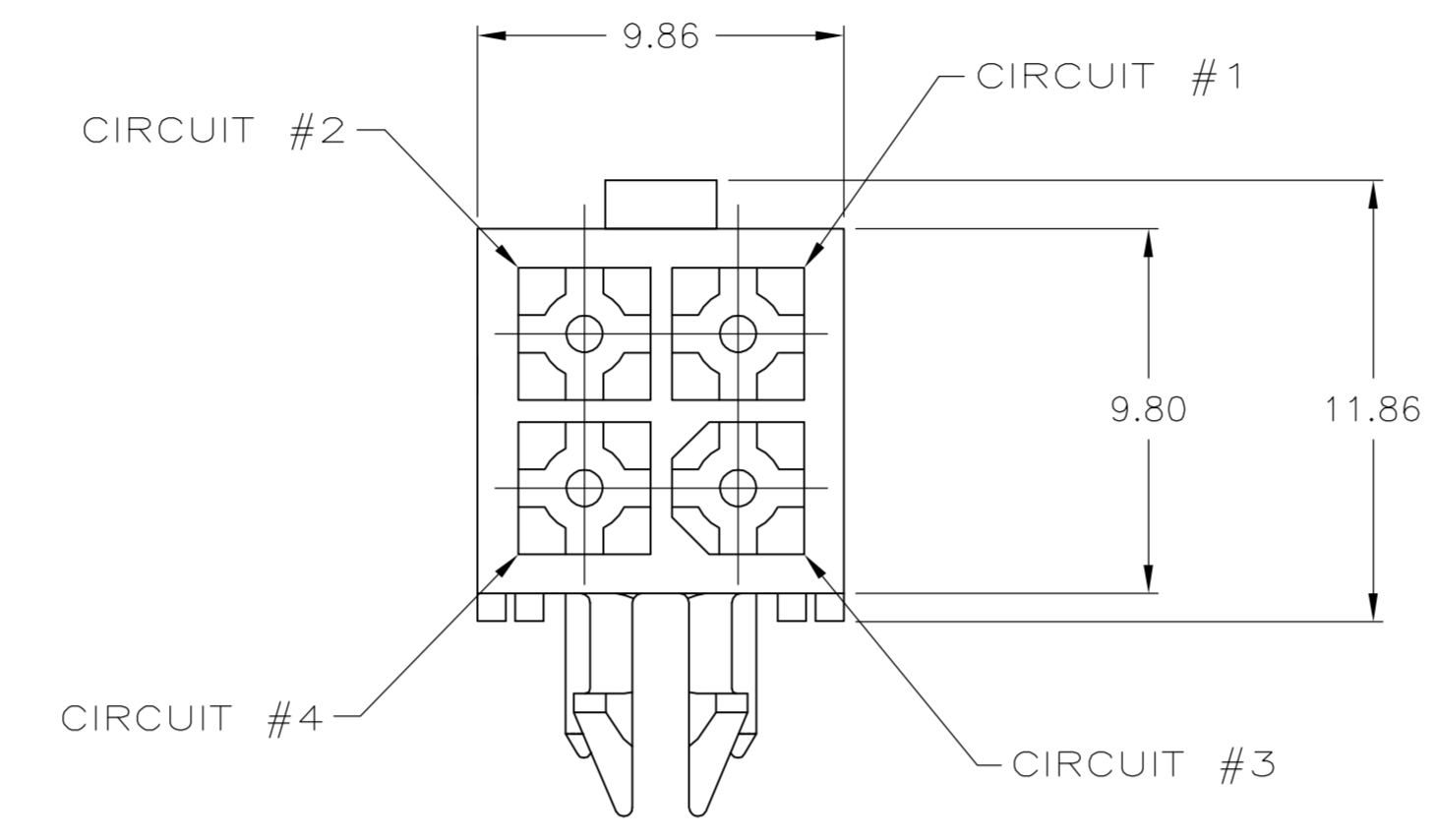
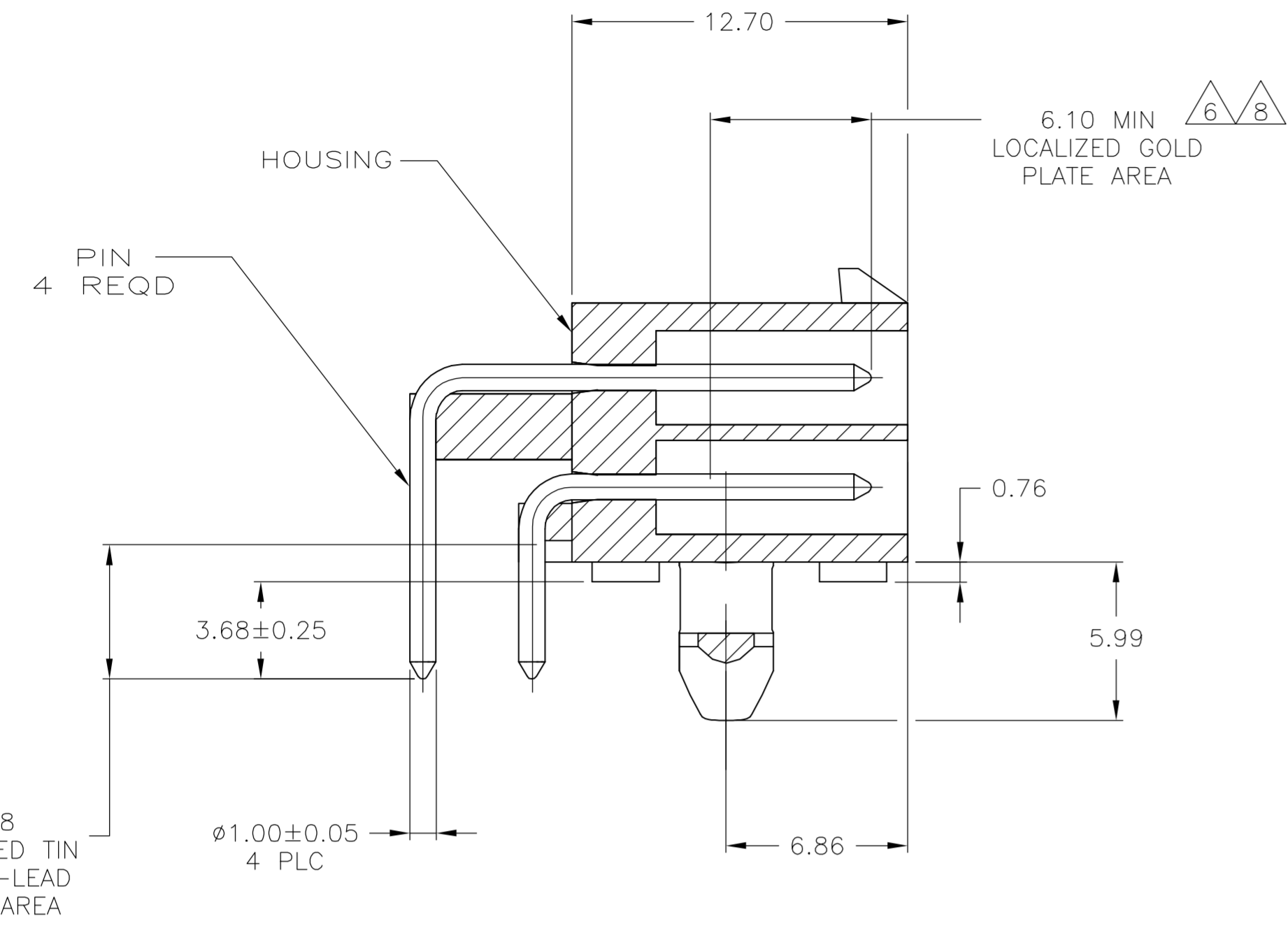
Distributed by:

JAMECO[®]
ELECTRONICS

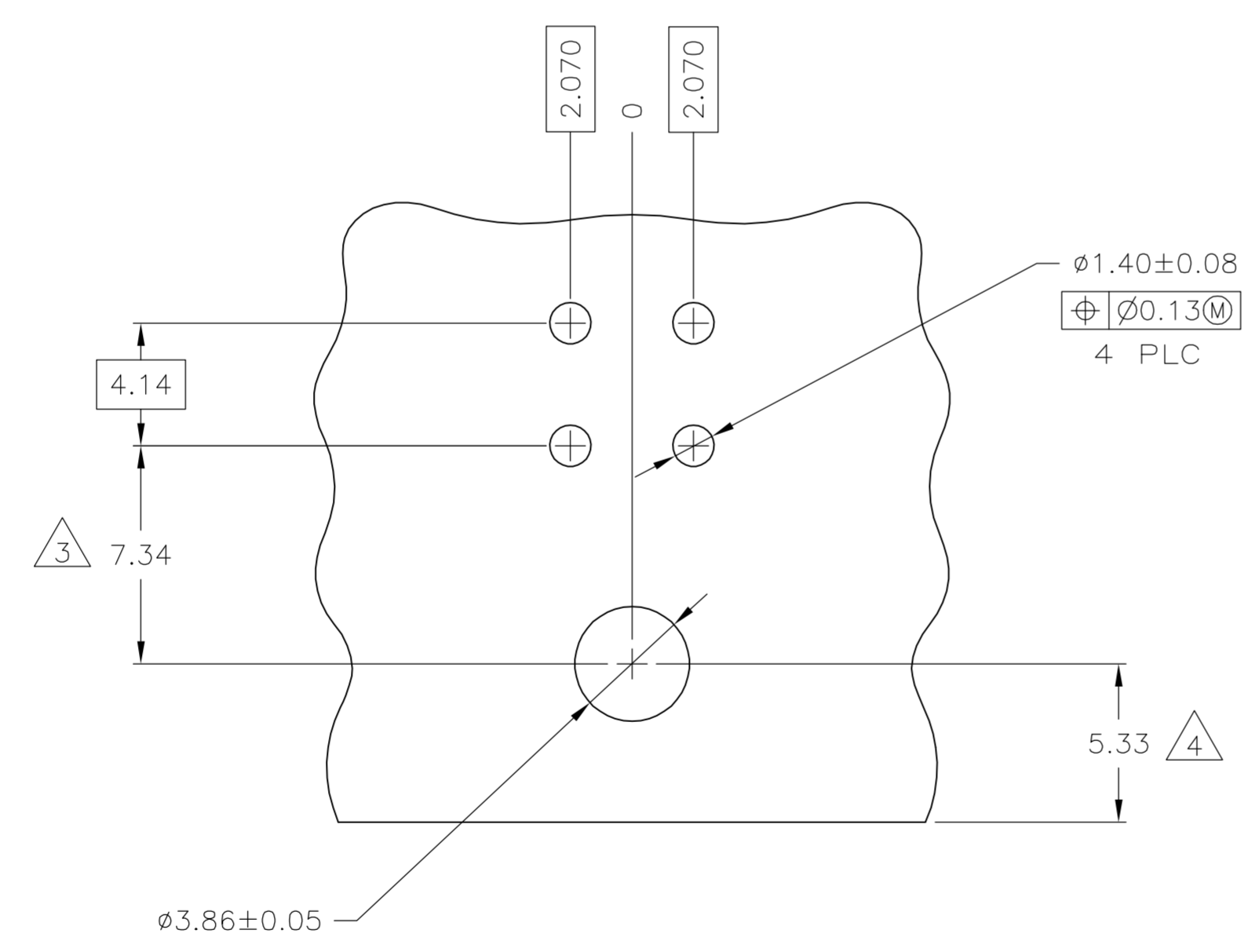
www.Jameco.com ♦ 1-800-831-4242

The content and copyrights of the attached
material are the property of its owner.

Jameco Part Number 839463



- PINS TO COMPLY WITH AMP SOLDERABILITY SPEC 109-11-3.
- MATES WITH PLUG P/N 172167-1.
- COORDINATE DIMENSION APPLIES FROM CENTER OF ACTUAL FEATURE.
- RECOMMENDED FOR EDGE MOUNTING.
- 0.00381 MIN MATTE TIN LEAD OVER 0.00127 MIN NICKEL ENTIRE LENGTH OF PIN.
- 0.00076 MIN GOLD PLATE IN THE LOCALIZED PLATE AREA, 0.00381 MIN MATTE TIN LEAD IN THE LOCALIZED PLATE AREA, BOTH OVER 0.00127 MIN NICKEL.
- 0.00381 MIN MATTE TIN OVER 0.00127 MIN NICKEL ENTIRE LENGTH OF PIN.
- 0.00076 MIN GOLD PLATE IN THE LOCALIZED GOLD PLATE AREA, 0.00381 MIN MATTE TIN IN THE LOCALIZED TIN PLATE AREA, BOTH OVER 0.00127 MIN NICKEL.



RECOMMENDED MOUNTING HOLE PATTERN FOR 1.57 THICK P.C. BOARD

2.070	.0815	12.70	.500
1.57	.062	9.86	.388
1.40	.055	9.80	.386
1.00	.039	7.34	.289
0.76	.030	6.86	.270
0.25	.010	6.10	.240
0.13	.005	5.99	.236
0.08	.003	5.33	.210
0.05	.002	5.08	.200
0.00381	0.000150	4.14	.163
0.00127	0.000050	3.86	.152
0.00076	0.000030	3.68	.145
MM	IN	MM	IN

CONVERSION TABLE

BRASS	△8	NYLON, UL94V-0	WHITE	1-770968-1
BRASS	△7	NYLON, UL94V-0	WHITE	1-770968-0
BRASS	△6	NYLON, UL94V-0	WHITE	770968-2
BRASS	△5	NYLON, UL94V-0	WHITE	770968-1
MATERIAL	FINISH	MATERIAL	COLOR	PART NO.
PIN		HOUSING		

THIS DRAWING IS A CONTROLLED DOCUMENT.

DWG: S. CARPENTER	24JUL03	 Tyco Electronics Corporation Harrisburg, PA 17105-3608
CHK: C. JONES	24JUL03	
APVD: G. JONES	24JUL03	NAME: HEADER ASSEMBLY, RIGHT ANGLE, WITH SHORT PEG, 4 CIRCUIT, MINI UNIVERSAL MATE-N-LOK(TM)
DIMENSIONS: mm		SIZE: A1
TOLERANCES UNLESS OTHERWISE SPECIFIED:		SCALE: 5:1
0 PLC ± -	1 PLC ± -	SHEET 1 OF 1
2 PLC ± -	3 PLC ± 0.13	REV G
4 PLC ± -	ANGLES ± -	
MATERIAL SEE TABLE		CUSTOMER DRAWING
FINISH SEE TABLE		WEIGHT: -
		APPROVAL: 100779

