

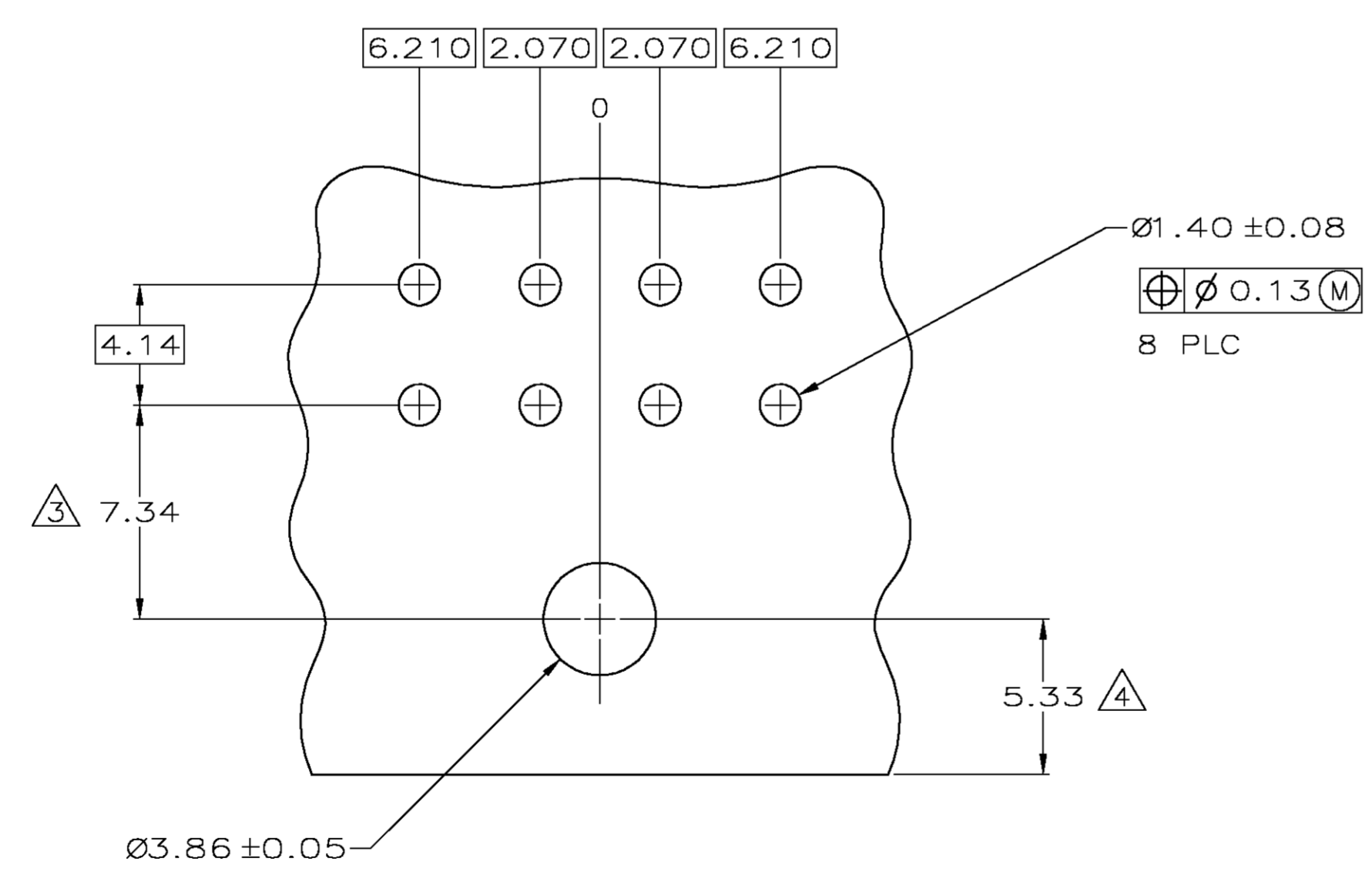
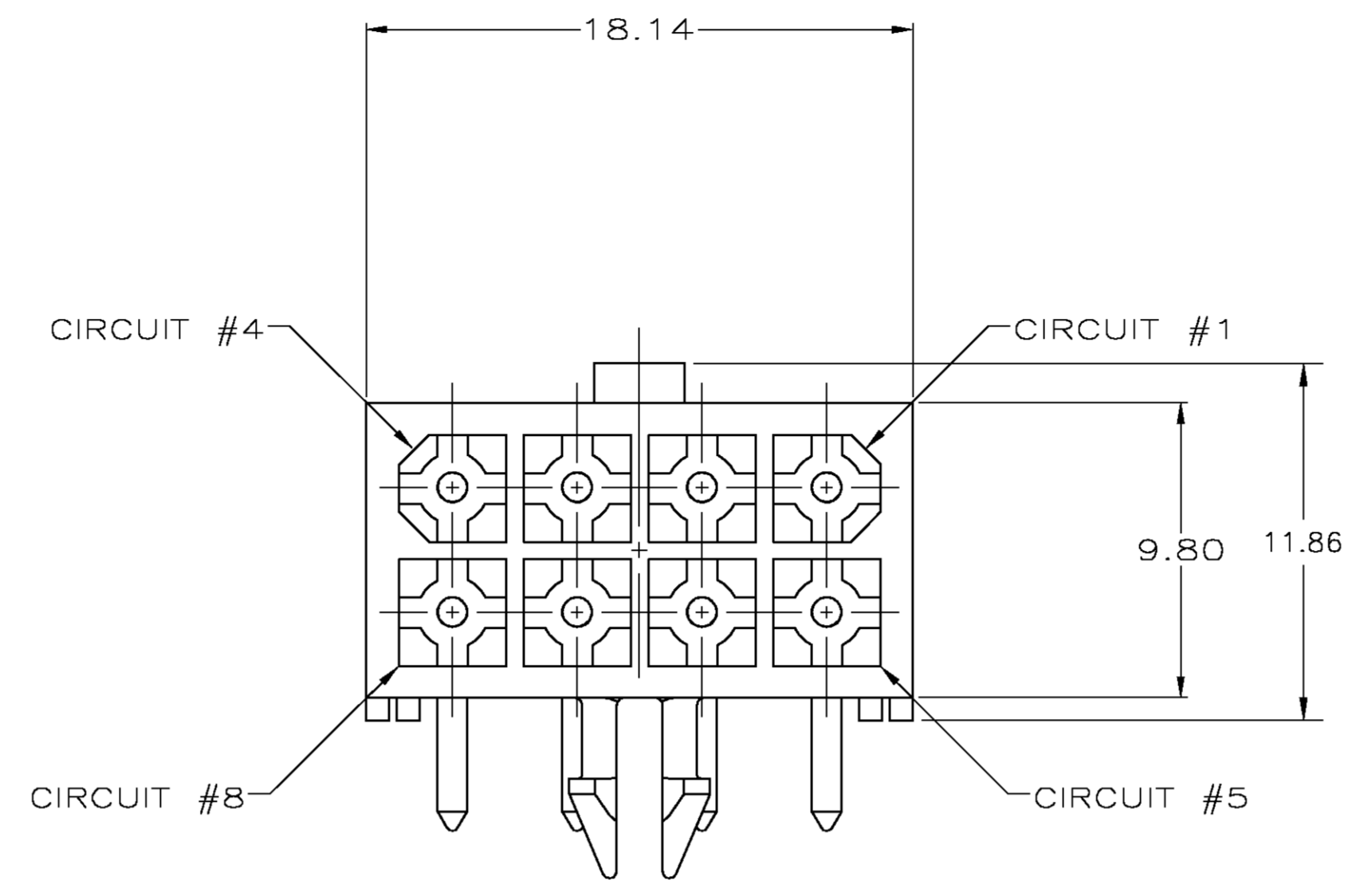
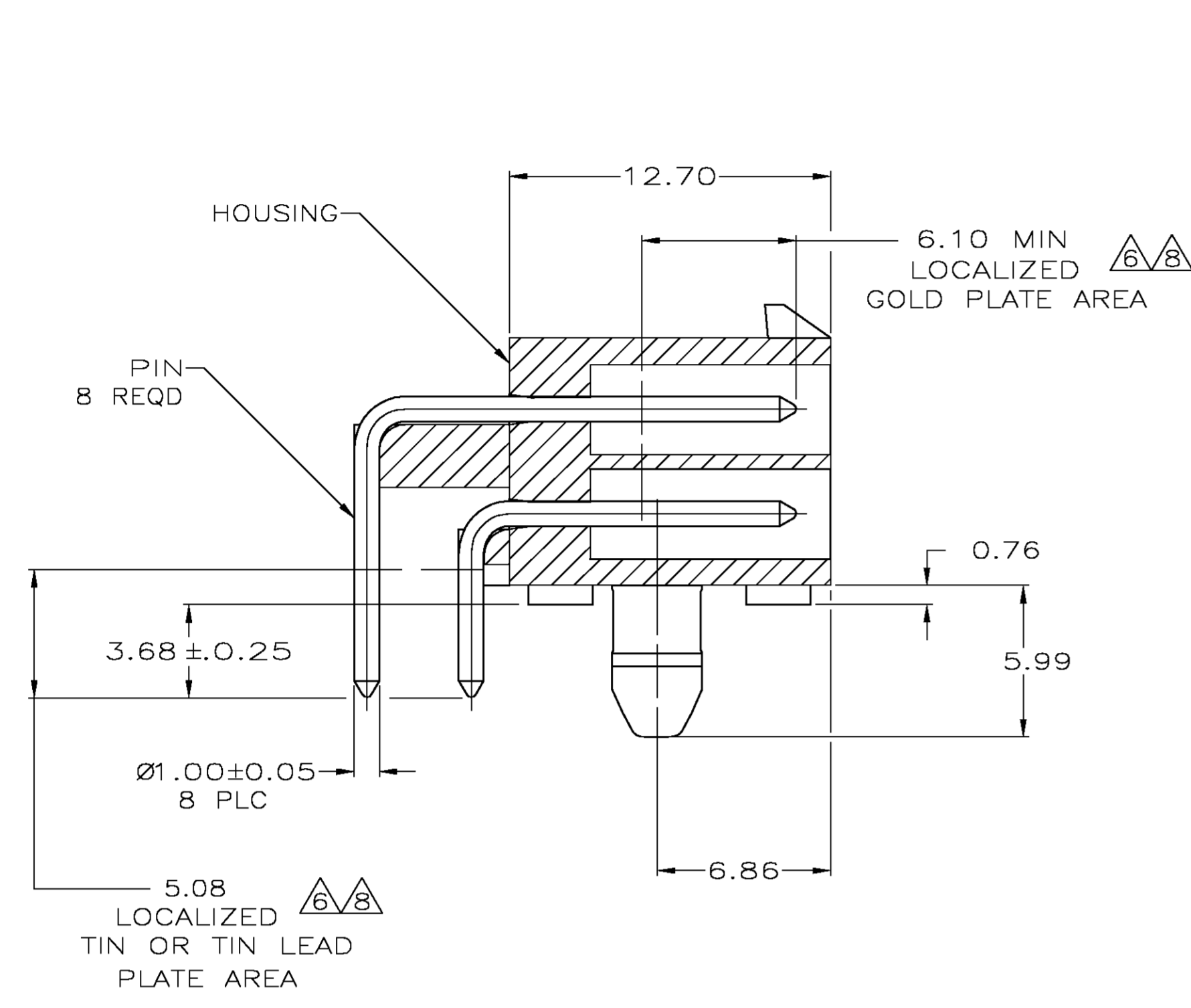
Distributed by:

JAMECO[®]
ELECTRONICS

www.Jameco.com ♦ 1-800-831-4242

The content and copyrights of the attached
material are the property of its owner.

Jameco Part Number 839551



RECOMMENDED MOUNTING HOLE PATTERN FOR 1.57 THICK P.C. BOARD

3.68	.145	-	-
2.070	.0815	18.14	.714
1.57	.062	12.70	.500
1.40	.055	9.80	.386
1.00	.039	7.34	.289
0.76	.030	6.86	.270
0.25	.010	6.210	.2445
0.13	.005	6.10	.240
0.08	.003	5.99	.236
0.05	.002	5.33	.210
0.00381	0.000150	5.08	.200
0.00127	0.000050	4.14	.163
0.00076	0.000030	3.86	.152
MM	IN	MM	IN

CONVERSION TABLE

- PINS TO COMPLY WITH AMP SOLDERABILITY SPEC 109-11-3.
 - MATES WITH PLUG P/N 770579-1.
- ③ COORDINATE DIMENSION APPLIES FROM CENTER OF ACTUAL FEATURE.
 - ④ RECOMMENDED FOR EDGE MOUNTING.
 - ⑤ 0.00381 MIN MATTE TIN LEAD OVER 0.00127 MIN NICKEL ENTIRE LENGTH OF PIN.
 - ⑥ 0.00076 MIN GOLD PLATE IN THE LOCALIZED PLATE AREA, 0.00381 MIN MATTE TIN LEAD IN THE LOCALIZED PLATE AREA, BOTH OVER 0.00127 MIN NICKEL.
 - ⑦ 0.00381 MIN MATTE TIN OVER 0.00127 MIN NICKEL ENTIRE LENGTH OF PIN.
 - ⑧ 0.00076 MIN GOLD PLATE IN THE LOCALIZED PLATE AREA, 0.00381 MIN MATTE TIN IN THE LOCALIZED PLATE AREA, BOTH OVER 0.00127 MIN NICKEL.

BRASS	⑧	NYLON, UL94V-0	WHITE	1-770970-1
BRASS	⑦	NYLON, UL94V-0	WHITE	1-770970-0
BRASS	⑥	NYLON, UL94V-0	WHITE	770970-2
BRASS	⑤	NYLON, UL94V-0	WHITE	770970-1
MATERIAL	FINISH	MATERIAL	COLOR	PART NO.
PIN		HOUSING		

THIS DRAWING IS A CONTROLLED DOCUMENT.

DIMENSIONS: mm	TOLERANCES UNLESS OTHERWISE SPECIFIED:	DMN S. CARPENTER 24JUL2003	Tyco Electronics Corporation Harrisburg, Pa 17105-3608
0 PLC ± 1 PLC ± 2 PLC ± 3 PLC ± 0.13 4 PLC ± ANGLES ±	0.00381 ± 0.00127 ± 0.00076 ±	CJK C. JONES 24JUL2003 APVD G. JONES PRODUCT SPEC	
MATERIAL SEE TABLE	FINISH SEE TABLE	APPLICATION SPEC	NAME: HEADER ASSEMBLY, RIGHT ANGLE, WITH SHORT PEG, 8 CIRCUIT, MINI UNIVERSAL MATE-N-LOK(TM) SIZE: A1 DATE CODE: 00779 DRAWING NO: 770970 WEIGHT: - CUSTOMER DRAWING

SCALE: 5:1 SHEET 1 OF 1 REV G

