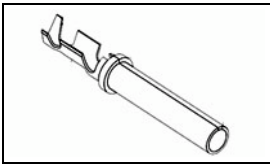


776299-1 Product Details

[Share](#) [Print](#) [Email](#)



776299-1

TE Internal Number: 776299-1

Active

View 3D PDF

Heavy Duty Contacts

Always EU RoHS/ELV Compliant (Statement of Compliance)

Product Highlights:

- Contact Configuration = Socket
- With Insulation Support
- Wire Size - Details = 14 - 18 (GXL), 16 - 18 (SXL)
- Accepts Wire Insulation Diameter, Range = 2.26 - 3.32 mm
- Select Gold (30) Plating Material

[View all Features](#)

Quick Links

- ▶ [Pricing & Availability](#)
- ▶ [Search for Tooling](#)
- ▶ [Product Feature Selector](#)
- ▶ [Contact Us About This Product](#)

[Add to My Part List](#) [Request Sample](#) [Find Similar Products](#) [Buy Product](#)

Documentation & Additional Information

Product Drawings:

- [ASSEMBLY, SOCKET CONTACT LOOSE PIECE \(PDF, English\)](#)

Catalog Pages/Data Sheets:

- None Available

Product Specifications:

- None Available

Application Specifications:

- [HDSF Size 16 Pin and Socket Contacts \(PDF, English\)](#)

Instruction Sheets:

- None Available

CAD Files: (CAD Format & Compression Information)

- [2D Drawing \(DXF, Version A\)](#)
- [3D Model \(IGES, Version A\)](#)
- [3D Model \(STEP, Version A\)](#)

[List all Documents](#)

Related Products:

- [Tooling](#)

Product Features (Please use the Product Drawing for all design activity)

Product Type Features:

- [Insulation Support](#) = With

Body Features:

- [Plating Material](#) = Select Gold (30)

Contact Features:

- [Contact Configuration](#) = Socket
- [Contact Size](#) = 16

Industry Standards:

- [RoHS/ELV Compliance](#) = RoHS compliant, ELV compliant
- [Lead Free Solder Processes](#) = Not relevant for lead free process
- [RoHS/ELV Compliance History](#) = Always was RoHS compliant

Conditions for Usage:

- [Wire Size - Details](#) = 14 - 18 (GXL), 16 - 18 (SXL)
- [Accepts Wire Insulation Diameter, Range \(mm \[in\]\)](#) = 2.26 - 3.32 [0.089 - 0.131]

Packaging Features:

- [Packaging Method](#) = Loose Piece

Other:

- [Brand](#) = TE Connectivity

Corporate Information

- [About TE](#)
- [Investors](#)
- [News Room](#)
- [Supplier Portal](#)
- [Careers](#)
- [Terms & Conditions](#)
- [Privacy Policy](#)

Quick Links

- [Distributor Inventory](#)
- [Product Cross Reference](#)
- [Documents & Drawings](#)
- [Product Compliance Support Center](#)
- [Site Map](#)

Customer Support

- [Email or Chat With Us](#)
- [Find a Phone Number](#)
- [Knowledge Base](#)
- [Manage Your Account](#)

Keep Me Informed

4

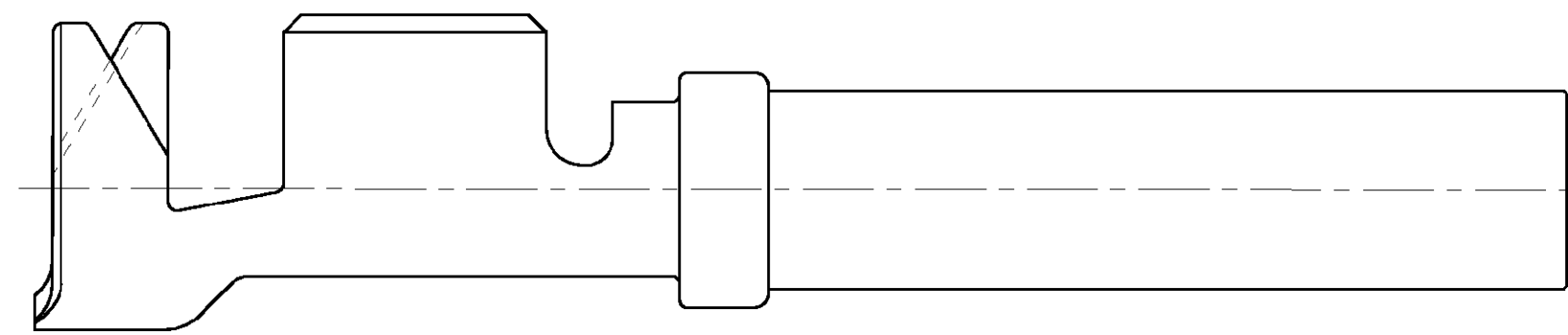
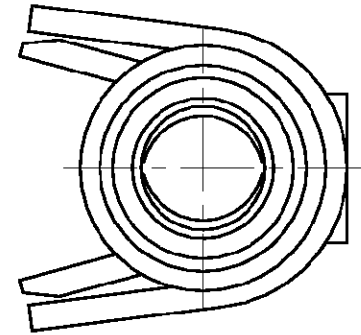
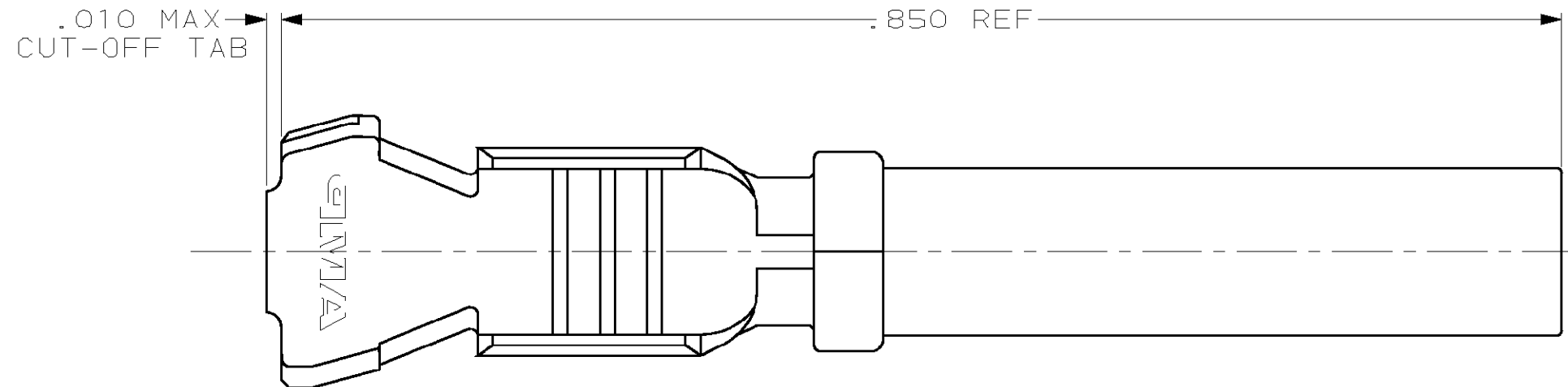
3

2

1

THIS DRAWING IS UNPUBLISHED. RELEASED FOR PUBLICATION .19
 BY AMP INCORPORATED. ALL RIGHTS RESERVED.

LOC	DIST	REVISIONS					
		P	LTR	DESCRIPTION	DATE	DWN	APVD
GE	33			REL PER PR# 99-7	2-17-99	PC	WL
		A		REV PER 0K40-0013-01	24AUG01	AG	MT



1. WIRE RANGE: 18-14 AWG

776299

DESCRIPTION	FINISH	PART NUMBER
LOOSE PIECE VERSION OF 776093-2	NICKEL	776299-2
LOOSE PIECE VERSION OF 776093-1	GOLD	776299-1

THIS DRAWING IS A CONTROLLED DOCUMENT.		DWN P. COLLINS 2-17-99		
DIMENSIONS: in		CHK W. LONG 2-17-99	NAME	
TOLERANCES UNLESS OTHERWISE SPECIFIED: 0 PLC ±- 1 PLC ±- 2 PLC ±.02 3 PLC ±.005 4 PLC ±- ANGLES ±-		APVD S. MARPOE 2-17-99	ASSEMBLY, SOCKET CONTACT LOOSE PIECE	
MATERIAL SEE TABLE		PRODUCT SPEC -	APPLICATION SPEC -	RESTRICTED TO -
FINISH SEE TABLE		WEIGHT -	SIZE A2	CAGE CODE 00779
		CUSTOMER DRAWING	DRAWING NO C-776299	SCALE 10:1
			SHEET 1 OF 1	REV A