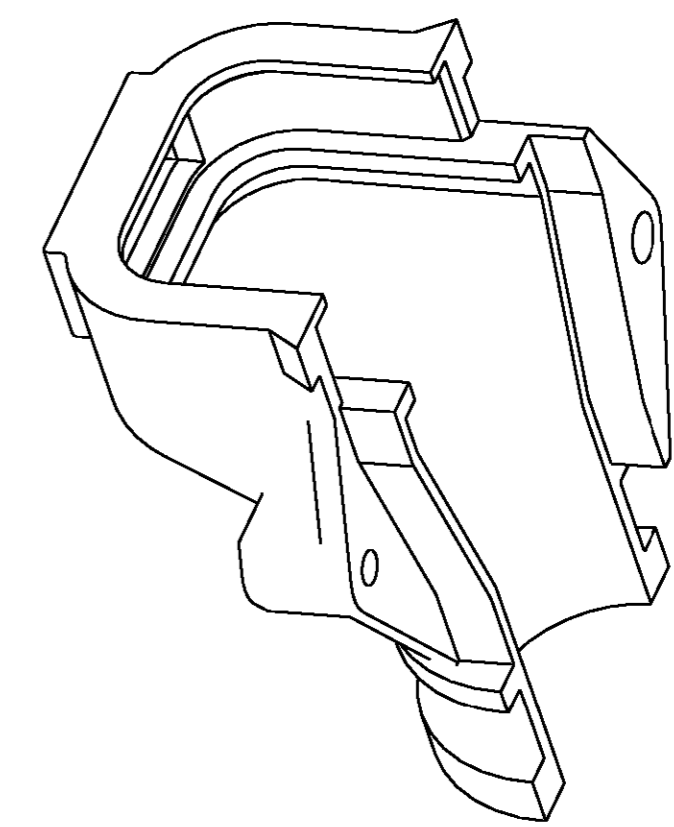
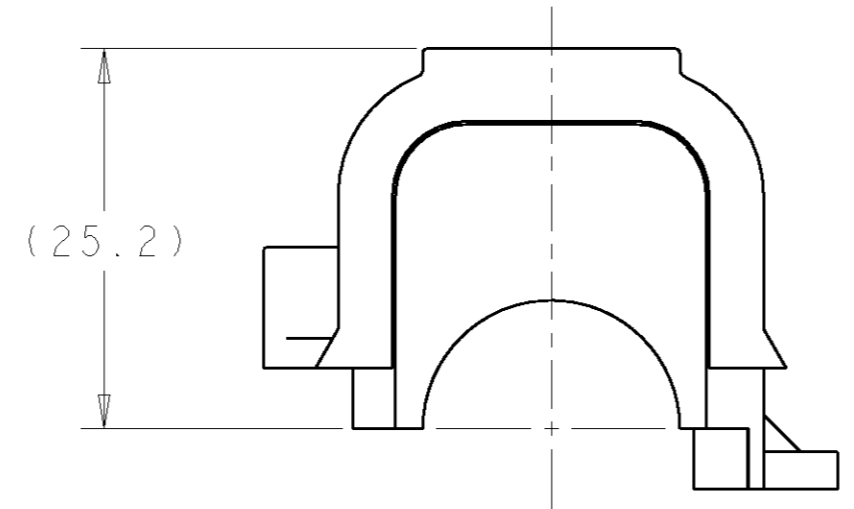
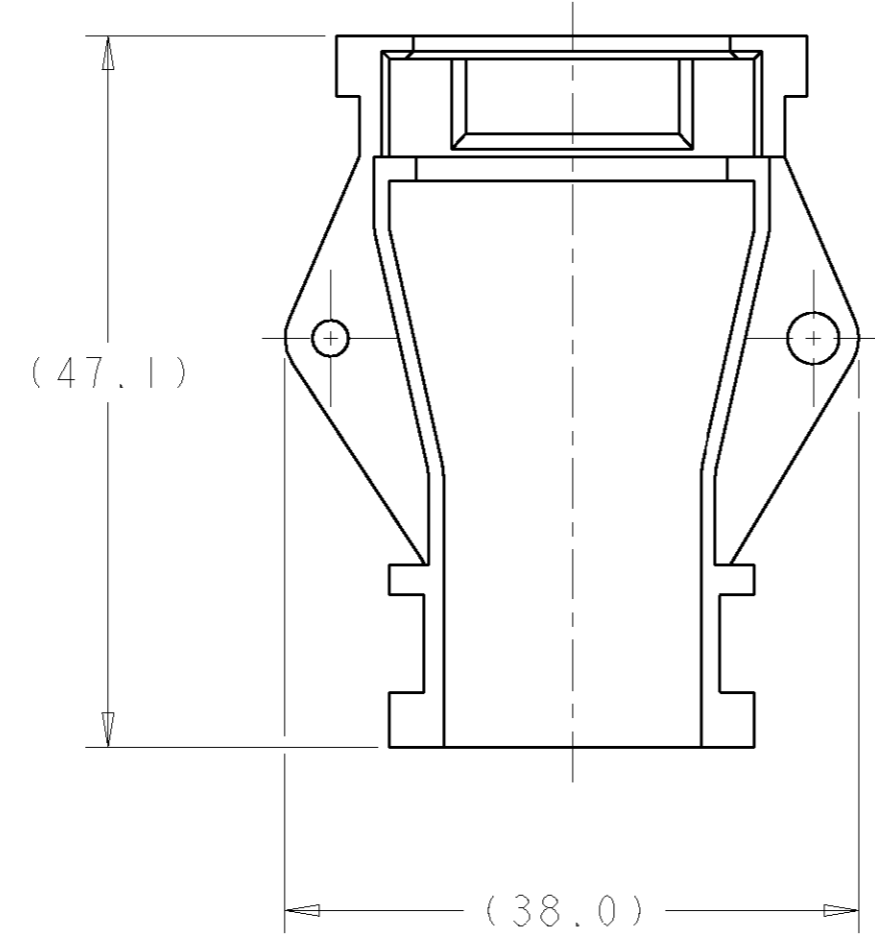
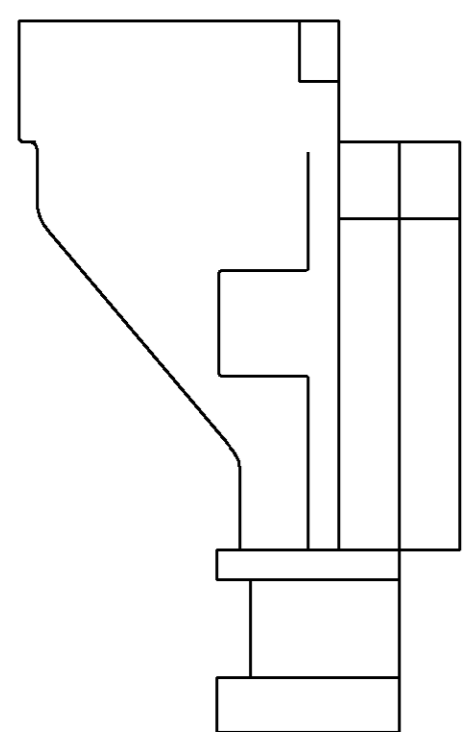


THIS DRAWING IS UNPUBLISHED. RELEASED FOR PUBLICATION 20
 © COPYRIGHT 20 BY TYCO ELECTRONICS CORPORATION. ALL RIGHTS RESERVED.

LOC	DIST	REVISIONS					
		P	LTR	DESCRIPTION	DATE	DWN	APVD
GE	00		A	REV PER EC 0K40-0256-03	02APR2003	RGV	MPT
			B	REV PER 0K40-0527-03	16OCT2003	AG	MT
			BI	REV PER 0K40-0113-04	27APR2004	AG	MT



SCALE 2:1



1. MATERIAL: PBT, 15% GLASS FILLED, COLOR: BLACK
2. ACCEPTS #4 SELF TAPPING SCREW (ELCO HI-LO THREAD CUTTING STYLE OR EQUIVALENT) TO BE DRIVEN AT 0.6±0.2 N-M FOR INITIAL ASSEMBLY.

776464-1
 PART NUMBER

THIS DRAWING IS A CONTROLLED DOCUMENT FOR TYCO ELECTRONICS CORPORATION IT IS SUBJECT TO CHANGE AND THE CONTROLLING ENGINEERING ORGANIZATION SHOULD BE CONTACTED FOR THE LATEST REVISION.		DWN R. VESTAL 02APR2003	Tyco Electronics Harrisburg, PA 17105-3608	
DIMENSIONS:		CHK M. TRULL 02APR2003		
mm		APVD M. TRULL 02APR2003		
		PRODUCT SPEC		
TOLERANCES UNLESS OTHERWISE SPECIFIED:		APPLICATION SPEC	NAME WIRE RELIEF, 23 POSITION	
0 PLC ±		WEIGHT	SIZE	RESTRICTED TO
1 PLC ±		-	A2	-
2 PLC ±0.10		CUSTOMER DRAWING	CAGE CODE	DRAWING NO
3 PLC ±		SCALE 2:1	00779	776464
4 PLC ±		SHEET 1 OF 1	REV BI	
ANGLES ±°				
FINISH				
SEE NOTE				