

4

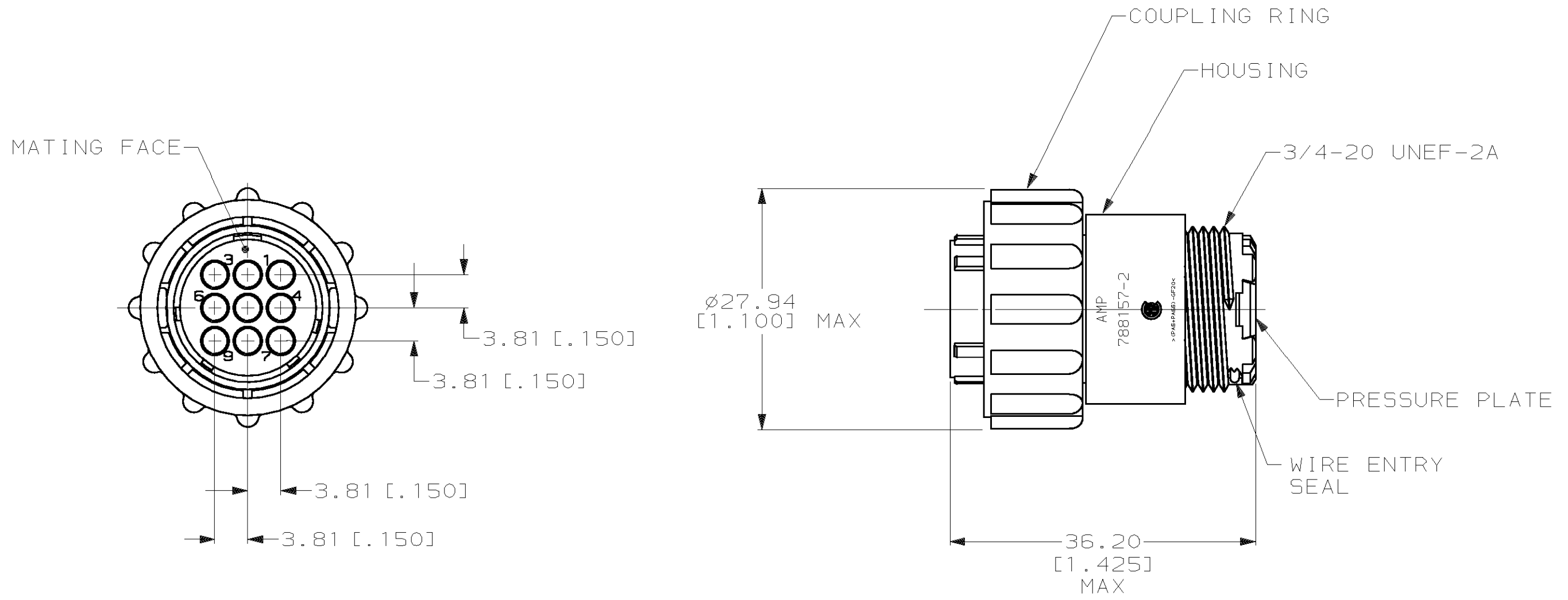
3

2

1

THIS DRAWING IS UNPUBLISHED. RELEASED FOR PUBLICATION, 19 .
 © COPYRIGHT 19 BY AMP INCORPORATED. ALL RIGHTS RESERVED.

LOC	DIST	REVISIONS			
P	LTR	DESCRIPTION	DATE	DWN	APVD
FT	0	A	REVISE PER ECN 0G3B-0287-00	22JUN00	SU KD



- THIS PART WILL ACCEPT NINE (9) MULTIMATE SOCKET CONTACTS.
- COUPLING RING, HOUSING, AND PRESSURE PLATE: NYLON, BLACK.
WIRE ENTRY SEAL: ELASTOMER, RED-IRON OXIDE.

.065-.120	STANDARD	788157-2
.040-.080	SMALL	788157-1
DIAMETER RANGE	INSULATION	PART NUMBER

THIS DRAWING IS A CONTROLLED DOCUMENT.		DWN C. DORWART 21 AUG 98	AMP Incorporated Harrisburg, PA 17105-3608													
DIMENSIONS: mm [INCHES]		CHK R. WALTER 21 AUG 98														
TOLERANCES UNLESS OTHERWISE SPECIFIED:		APVD R. WALTER 21 AUG 98	NAME PLUG ASSEMBLY, 13-9, STANDARD SEX, SERIES I, SEALED, CIRCULAR PLASTIC CONNECTOR													
<table border="1"> <tr><td>0 PLC</td><td>±-</td></tr> <tr><td>1 PLC</td><td>±-</td></tr> <tr><td>2 PLC</td><td>±0.13 [.005]</td></tr> <tr><td>3 PLC</td><td>±-</td></tr> <tr><td>4 PLC</td><td>±-</td></tr> <tr><td>ANGLES</td><td>±-</td></tr> </table>		0 PLC	±-	1 PLC	±-	2 PLC	±0.13 [.005]	3 PLC	±-	4 PLC	±-	ANGLES	±-	PRODUCT SPEC -	SIZE A3	
0 PLC	±-															
1 PLC	±-															
2 PLC	±0.13 [.005]															
3 PLC	±-															
4 PLC	±-															
ANGLES	±-															
MATERIAL 2		FINISH -	CAGE CODE 00779	DRAWING NO C- 788157												
CUSTOMER DRAWING			RESTRICTED TO -	SCALE 2:1												
			SHEET 1 OF 1	REV A												