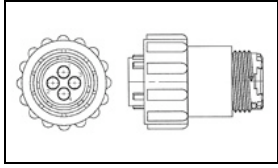


788157-2 Product Details



788157-2

TE Internal Number: 788157-2



Active

CPC (Circular Plastic) and Circular Metal-Shell Connectors

 Always EU RoHS/ELV Compliant (Statement of Compliance)

Product Highlights:

- Housing
- Connector Style = Plug
- 9 Positions
- 9 Signal Positions
- 0 Power Positions

Documentation & Additional Information

Product Drawings:

- [PLUG ASSEMBLY, 13-9, STANDARD SEX, SERIES I, SEALED,...](#) (PDF, English)

Catalog Pages/Data Sheets:

- [AMP Circular Connectors for Commercial Signal & Powe...](#) (PDF, English)

Product Specifications:

- None Available

Application Specifications:

- None Available

Instruction Sheets:

- None Available

CAD Files: (CAD Format & Compression Information)

- [2D Drawing](#) (DXF, Version B)
- [3D Model](#) (IGES, Version B)
- [3D Model](#) (STEP, Version B)

Related Products:

- [Tooling](#)
- [Mating Products \(3\)](#)

Product Features (Please use the Product Drawing for all design activity)

Product Type Features:

- Connector Type = Housing
- Mount Angle = Straight
- Shell Size = 13
- Shell Type = All Plastic
- Product Series = Series 1
- Thread Size = 3/4 - 20 UNEF-2A
- Sealed = Yes

Mechanical Attachment:

- Mount = Free Hanging
- Mating Retention Type = Threaded Coupling

Termination Features:

- Seal Type = Wire Entry

Contact Features:

- Contact Type = Socket
- Reverse Gender = Standard

Housing Features:

- Connector Style = Plug
- Mating Alignment Type = Keyed
- Housing Material = Nylon
- Housing Color = Black

Configuration Features:

- Number of Positions = 9
- Number of Signal Positions = 9
- Number of Power Positions = 0
- Environmental Protection = With
- Reverse Numbering = Without

Industry Standards:

- VDE Tested = No
- RoHS/ELV Compliance = RoHS compliant, ELV compliant
- Lead Free Solder Processes = Not relevant for lead free process
- RoHS/ELV Compliance History = Always was RoHS compliant

Environmental:

- Fluid Resistance = Immersion

Conditions for Usage:

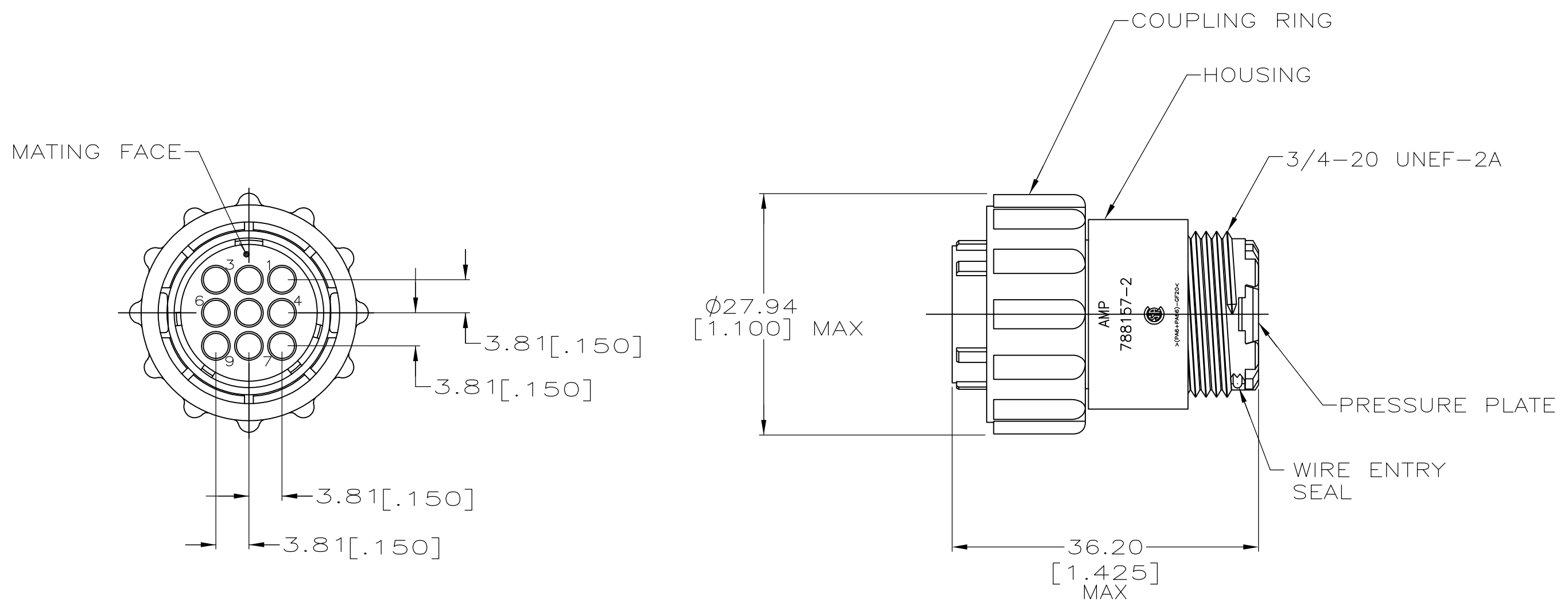
- Accepts Wire Insulation Diameter, Range (mm [in]) = 1.65 - 3.05 [0.065 - 0.120]

Other:

- Brand = AMP

THIS DRAWING IS UNPUBLISHED. RELEASED FOR PUBLICATION
 © COPYRIGHT - By - ALL RIGHTS RESERVED.

LOC	DIST	REVISIONS					
FT	0	P	LTR	DESCRIPTION	DATE	DWN	APVD
			B1	REVISED PER ECO-11-004820	11MAR11	RK	HMR



- 1. THIS PART WILL ACCEPT NINE (9) MULTIMATE SOCKET CONTACTS.
- ② COUPLING RING, HOUSING, AND PRESSURE PLATE: NYLON, BLACK. WIRE ENTRY SEAL: ELASTOMER, RED-IRON OXIDE.
- ③ METAL COUPLING RING.

③	.065-.120	STANDARD	788157-3
	.065-.120	STANDARD	788157-2
	.040-.080	SMALL	788157-1
	DIAMETER RANGE	INSULATION	PART NUMBER

THIS DRAWING IS A CONTROLLED DOCUMENT.		DWN	C.DORWART	21 AUG 98	STE TE Connectivity
DIMENSIONS: INCHES		CHK	R.WALTER	21 AUG 98	
TOLERANCES UNLESS OTHERWISE SPECIFIED:		APVD	R.WALTER	21 AUG 98	
0 PLC ± - 1 PLC ± - 2 PLC ± 0.13 [.005] 3 PLC ± - 4 PLC ± - ANGLES ± -		PRODUCT SPEC	NAME		
MATERIAL	- ②	FINISH	-		PLUG ASSEMBLY, 13-9, STANDARD SEX, SERIES I, SEALED, CIRCULAR PLASTIC CONNECTOR
		WEIGHT	-		SIZE
		CUSTOMER DRAWING		SCALE	2:1
				SHEET	1 OF 1
				RESTRICTED TO	-
				REV	B1