

Distributed by:

**JAMECO**<sup>®</sup>  
ELECTRONICS

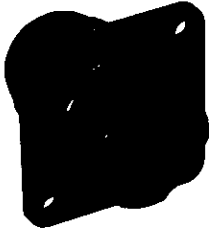
**www.Jameco.com ♦ 1-800-831-4242**

The content and copyrights of the attached  
material are the property of its owner.

Jameco Part Number 1977606

**One-Piece Sealed Circular Plastic Connectors, Series 1**

**Sealed CPC Receptacles, Special Series 1 with Pre-Installed, Bonded Peripheral Seal**



Listed part numbers are for connectors only; **contacts must be ordered separately.**

**Material and Finish**

**Housing**—Thermoplastic, UL 94V-0 rated, black

**Seal**—Elastomer, gray

**Related Product Data**

**Contacts**—Pages 16-21

**Contact Arrangement**—Page 23

**Component Dimensions**—

Size 11-4 shown; request Customer Drawings for other sizes

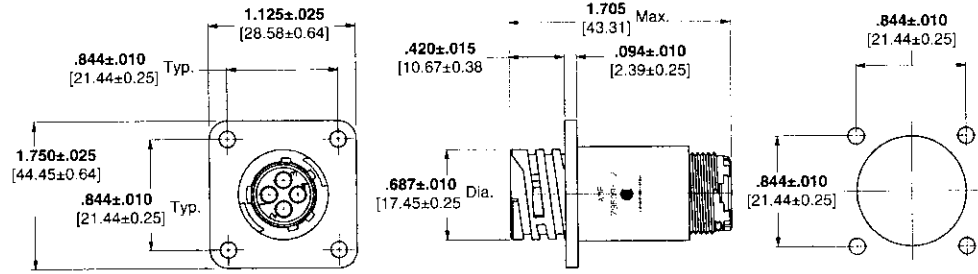
**Accessories**—Pages 37-41 and 50-53

**Performance Characteristics**—Page 6

**Application Tooling**—Pages 75-78

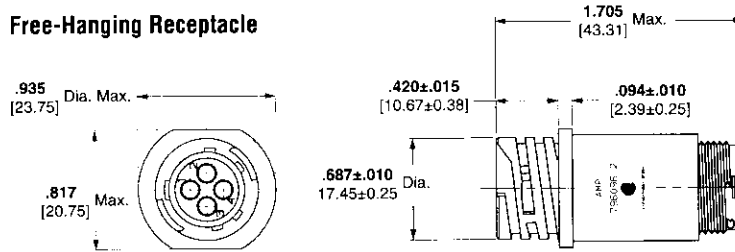
**Technical Documents**—Page 79

**Square Flange Receptacle** (Uses Flange Seal **Part No. 81665-1** on page 50)

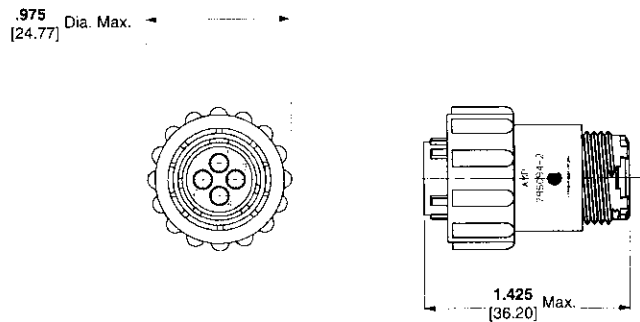


Recommended Panel Cutout

**Free-Hanging Receptacle**



**Plug**



Arrangement	Shell No. of Positions	Sex	Square Flange Receptacle		Free-Hanging Receptacle	Plug	Insulation Diameter
			With Mounting Holes	With Threaded Inserts <sup>1</sup>			
11-4		Standard	796095-2	—	796096-2	796094-2	.065-.100 [1.65-2.54]
		Reverse	788154-2	—	788155-2	788153-2	.065-.100 [1.65-2.54]
13-9		Standard	788158-2	—	788159-2	788157-2	.065-.100 [1.65-2.54]
		Reverse	796272-1	—	796273-1	796271-1	.065-.100 [1.65-2.54]
17-14		Standard	796275-1	796275-3	796276-1	796274-1	.065-.100 [1.65-2.54]
		Standard	796275-2	—	796276-2	796274-2	.040-.080 [1.01-2.03]
23-24		Standard	796190-1	—	796291-1	796188-1	.065-.120 [1.65-3.04]
23-37		Standard	796286-1	—	796287-1	796288-1	.065-.100 [1.65-2.54]

<sup>1</sup>Four 4-40 threaded inserts per receptacle.

**Assembly Accessories**

Seal Protectors are recommended to aid contact insertion through the wire entry seal. They are reusable.

**Part Number 208337-1** (Insert Pins)  
**Part Number 208338-1** (Insert Sockets)

**Wire Entry Seal Plug**

**Part Number 796075-1** (6 per carrier strip)  
**Material**—Polypropylene, natural

