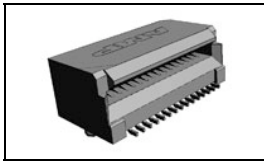


## 788862-1 Product Details

[Share](#) [Print](#) [Email](#)



**788862-1**

TE Internal Number: 788862-1

 Active

[View 3D PDF](#)

### Pluggable Connectors, Cages & Accessories

 Always EU RoHS/ELV Compliant (Statement of Compliance)

#### Product Highlights:

- XFP Product Line
- Connector
- XFP Application
- Connector Style = Receptacle
- Data Signal Rate = 10 Gb/s

[View all Features](#)

### Quick Links

- ▶ [Pricing & Availability](#)
- ▶ [Search for Tooling](#)
- ▶ [View Cages \(10\)](#)
- ▶ [Product Feature Selector](#)
- ▶ [Contact Us About This Product](#)

[Add to My Part List](#)

[Request Sample](#)

[Find Similar Products](#)

[Buy Product](#)

### Documentation & Additional Information

#### Product Drawings:

- [PT CONNECTOR ASSEMBLY, 30 POSITION, XFP, RTANG, 0.8M...](#) (PDF, English)

#### Catalog Pages/Data Sheets:

- [1-1773717-7\\_PLUGGABLE\\_IO\\_QRG\\_CN](#) (PDF, English)
- [1-1773717-8\\_PLUGGABLEIO\\_QRG\\_TCN](#) (PDF, English)
- [1-1773717-9\\_HIGH\\_SPEED\\_IO\\_QRG\\_JA](#) (PDF, English)
- [1773408-1 Pluggable Input/Output Solutions catalog -...](#) (PDF, English)
- [4-1773455-2 - Quick Reference Guide Pluggable I/O So...](#) (PDF, English)

#### Product Specifications:

- [Small Form Factor Pluggable, 0.8 mm Centerline Conne...](#) (PDF, English)
- [SFP HSSDC II Copper Module Transceiver](#) (PDF, English)
- [Small Form Factor Pluggable, 0.8mm Centerline Connectors](#) (PDF, Japanese)
- [SFP Cage Assemblies](#) (PDF, Japanese)
- [SFP 20 Position Connector](#) (PDF, Japanese)

#### Application Specifications:

- [Small Form-Factor Pluggable \(SFP\) Connector and Cage...](#) (PDF, English)
- [XFP Connector and Cage Assembly](#) (PDF, English)

#### Instruction Sheets:

- [Small Form-Factor Pluggable \(SFP\) Connector and Cage...](#) (PDF, English)
- [XFP Connectors 788862-\[ \] and 1367500-1 and Cage Ass...](#) (PDF, English)

#### CAD Files: (CAD Format & Compression Information)

- [2D Drawing](#) (DXF, Version E)
- [3D Model](#) (IGES, Version E)
- [3D Model](#) (STEP, Version E)

[List all Documents](#)

#### Related Products:

- [Tooling](#)
- [Cages \(10\)](#)

### Product Features (Please use the Product Drawing for all design activity)

#### Product Type Features:

- Product Line = XFP
- Product Type = Connector

#### Mechanical Attachment:

- PCB Mount = Double Sided (Belly-to-Belly)

#### Electrical Characteristics:

- Data Signal Rate (Gb/s) = 10

#### Termination Features:

- Termination Method to PC Board = Surface Mount

#### Contact Features:

- [Contact Plating, Mating Area, Material](#) = Gold
- Contact Base Material = Phosphor Bronze
- Contact Plating, Mating Area, Thickness ( $\mu\text{m}$  [ $\mu\text{in}$ ]) = 0.38 [15]

#### Housing Features:

- Connector Style = Receptacle
- Housing Material = Liquid Crystal Polymer (LCP)
- Housing Color = Black
- UL Flammability Rating = UL 94V-0

#### Industry Standards:

- [RoHS/ELV Compliance](#) = RoHS compliant, ELV compliant
- [Lead Free Solder Processes](#) = Reflow solder capable to 245°C, Reflow solder capable to 260°C
- RoHS/ELV Compliance History = Always was RoHS compliant

#### Conditions for Usage:

- Applies To = Printed Circuit Board

#### Operation/Application:

- Application = XFP

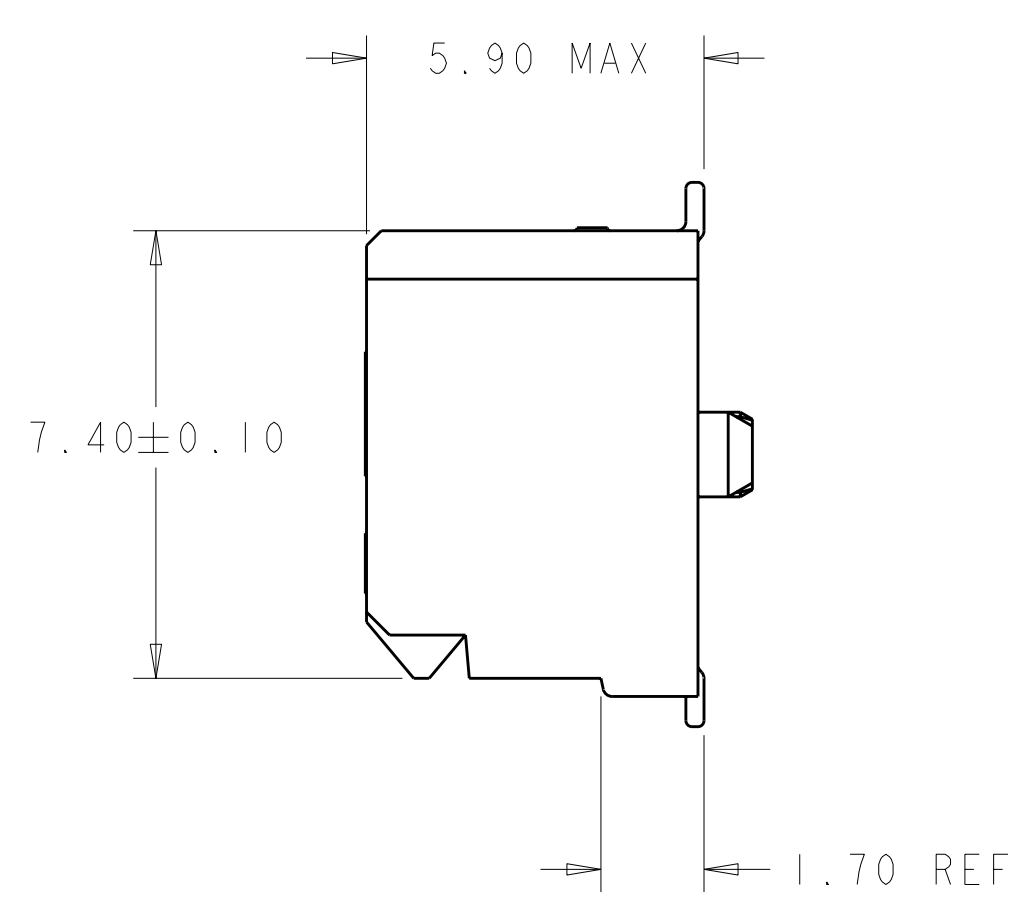
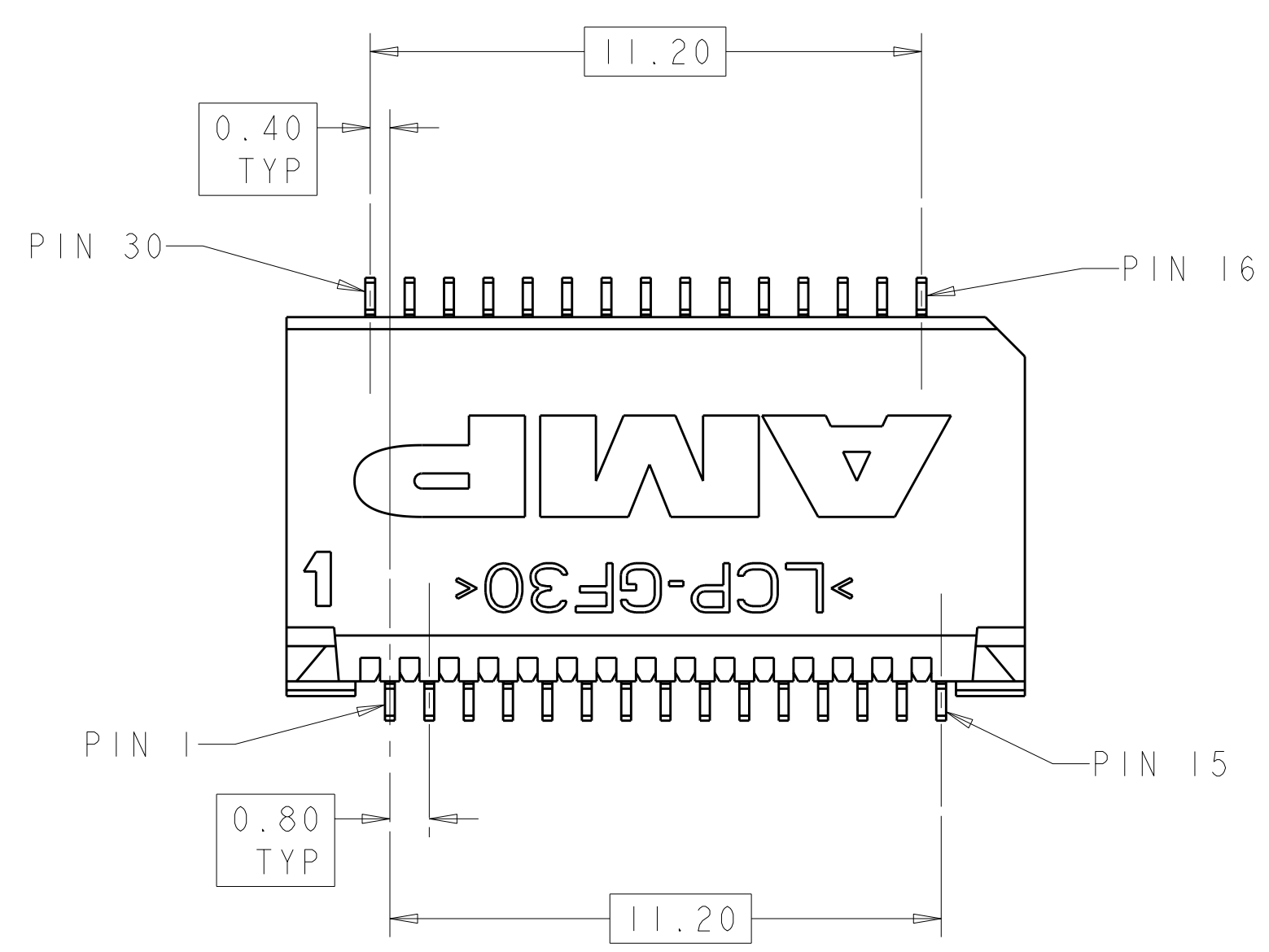
#### Packaging Features:

- Packaging Method = Reel

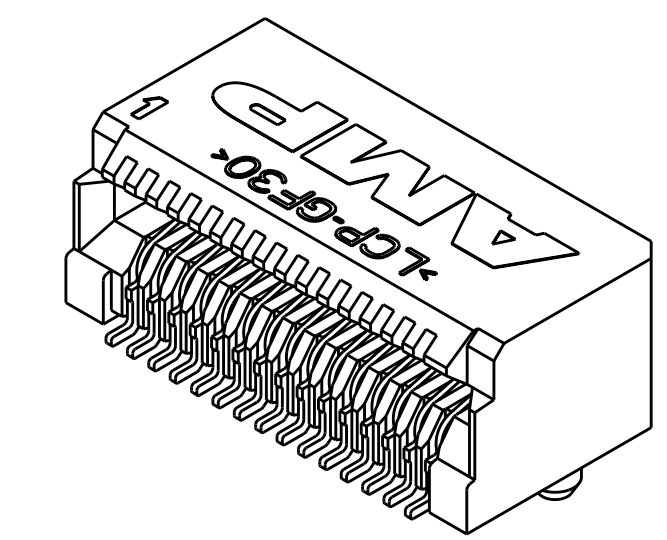
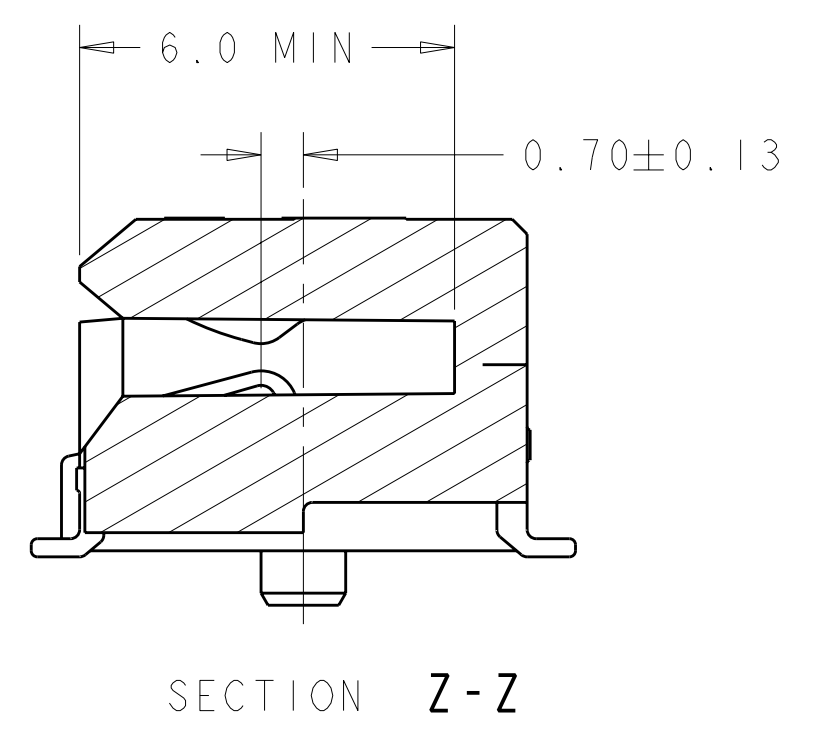
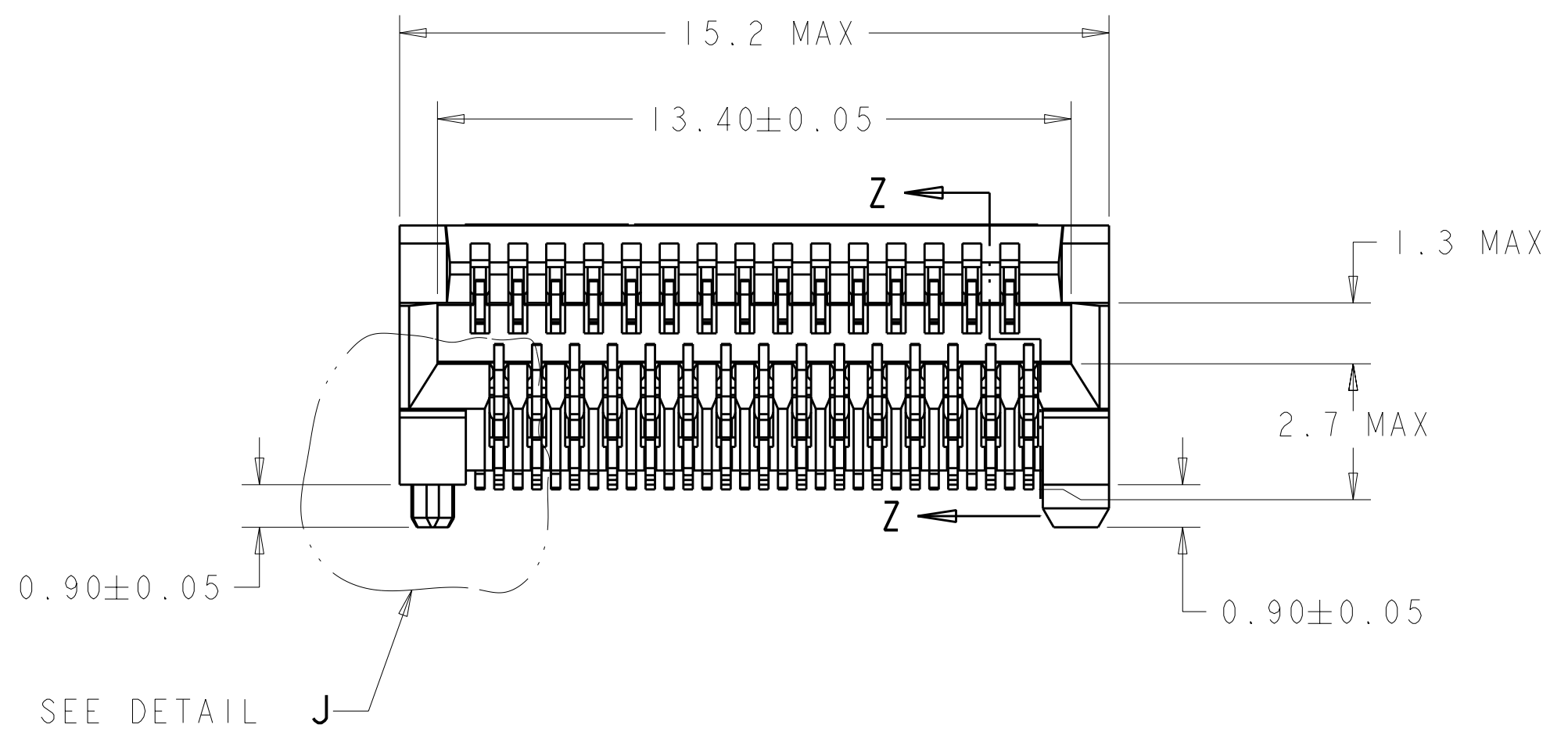
#### Other:

- Brand = TE Connectivity

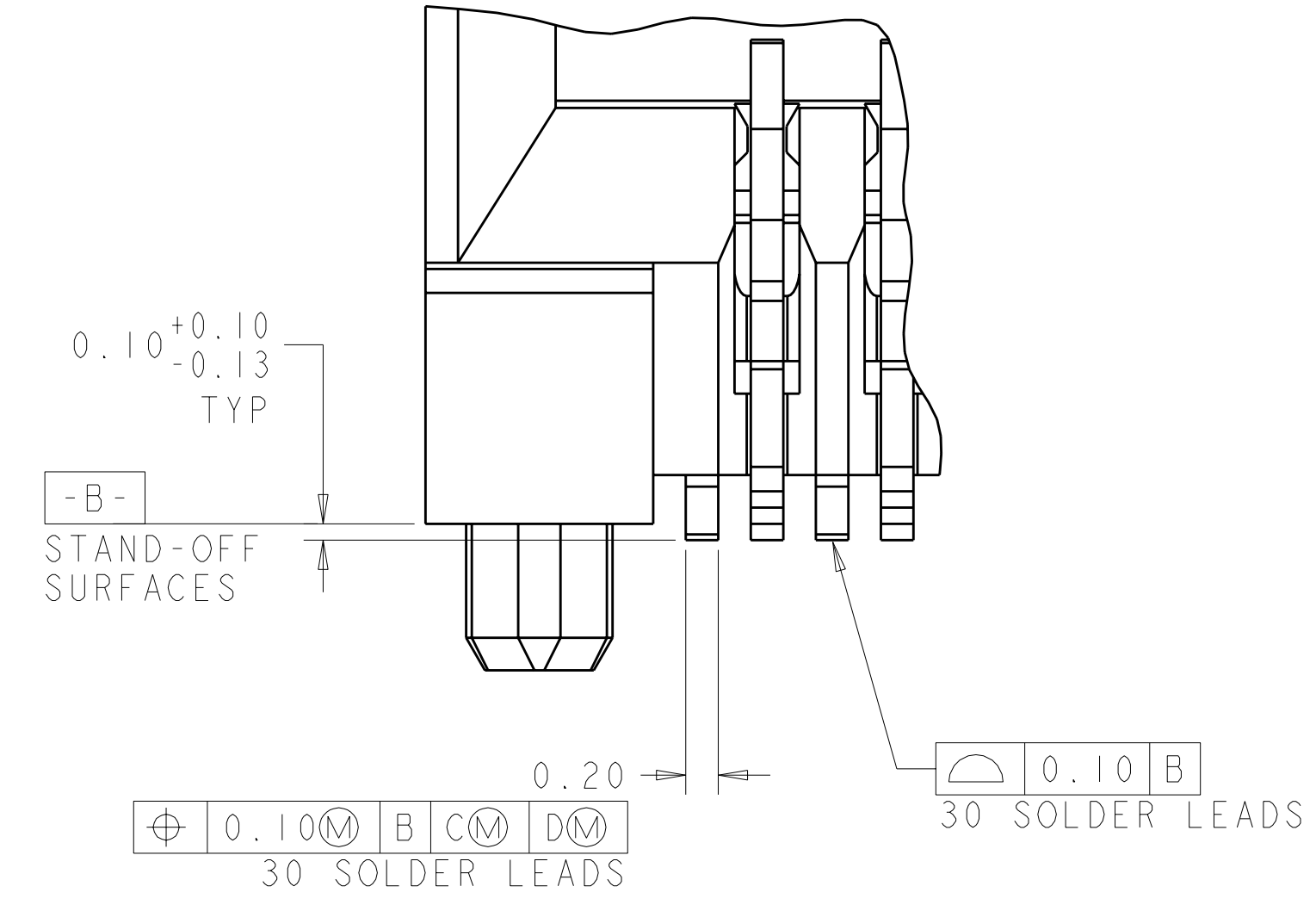
LOC	DIST	REV	DATE	BY	CHKD	APVD
ES	00	G1	14MAR2011	RK	HMR	



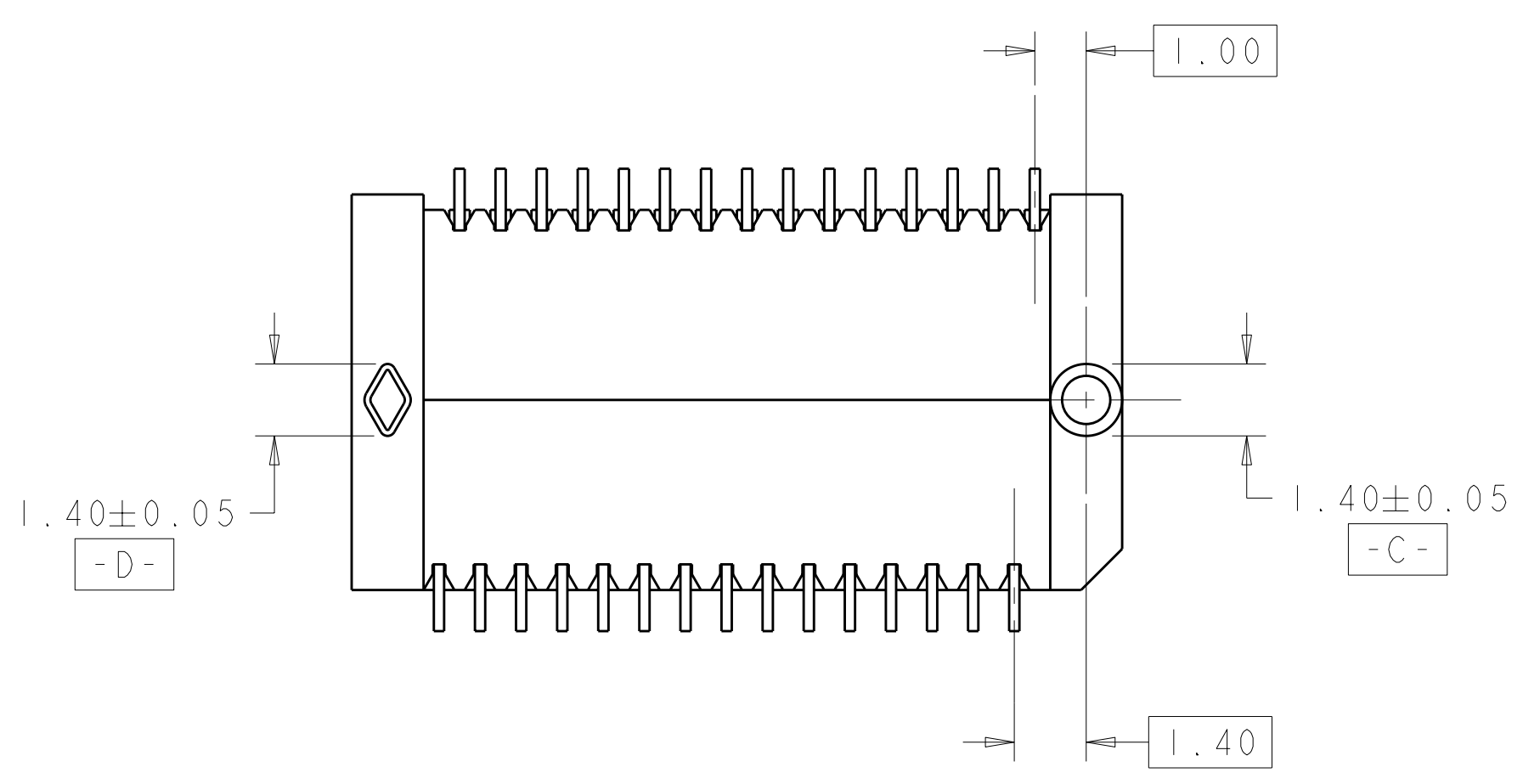
- PART COMPATIBLE WITH XFP MSA. REFER TO THE SFP MSA FOR DIMENSIONS NOT SHOWN ON THIS PRINT.
- HOUSING: HIGH TEMPERATURE LCP, UL 94V-0 RATED, BLACK. CONTACT: PHOSPHOR BRONZE.
- CONTACTS: 0.00038 MIN GOLD IN CONTACT AREA, 0.00013 MIN GOLD ON SOLDER AREA, OVER 0.0038 MIN NICKEL UNDERPLATE ON ENTIRE CONTACT.
- PACKAGED PIECES PER REEL.
- GROUND, POWER AND SIGNAL PAD ARRANGEMENT TO BE DETERMINED BY CUSTOMER.
- DATUMS AND BASIC DIMENSIONS ESTABLISHED BY CUSTOMER.
- CONTACTS: 0.00076 MIN GOLD IN CONTACT AREA, 0.00013 MIN GOLD ON SOLDER AREA, OVER 0.0038 MIN NICKEL UNDERPLATE ON ENTIRE CONTACT.
- SOLDER MASK KEEP OUT AREA.
- CONTACTS: 0.00127 MIN GOLD IN CONTACT AREA, 0.00013 MIN GOLD ON SOLDER AREA, OVER 0.0038 MIN NICKEL UNDERPLATE ON ENTIRE CONTACT.



SCALE 5:1



DETAIL J  
SCALE 25:1



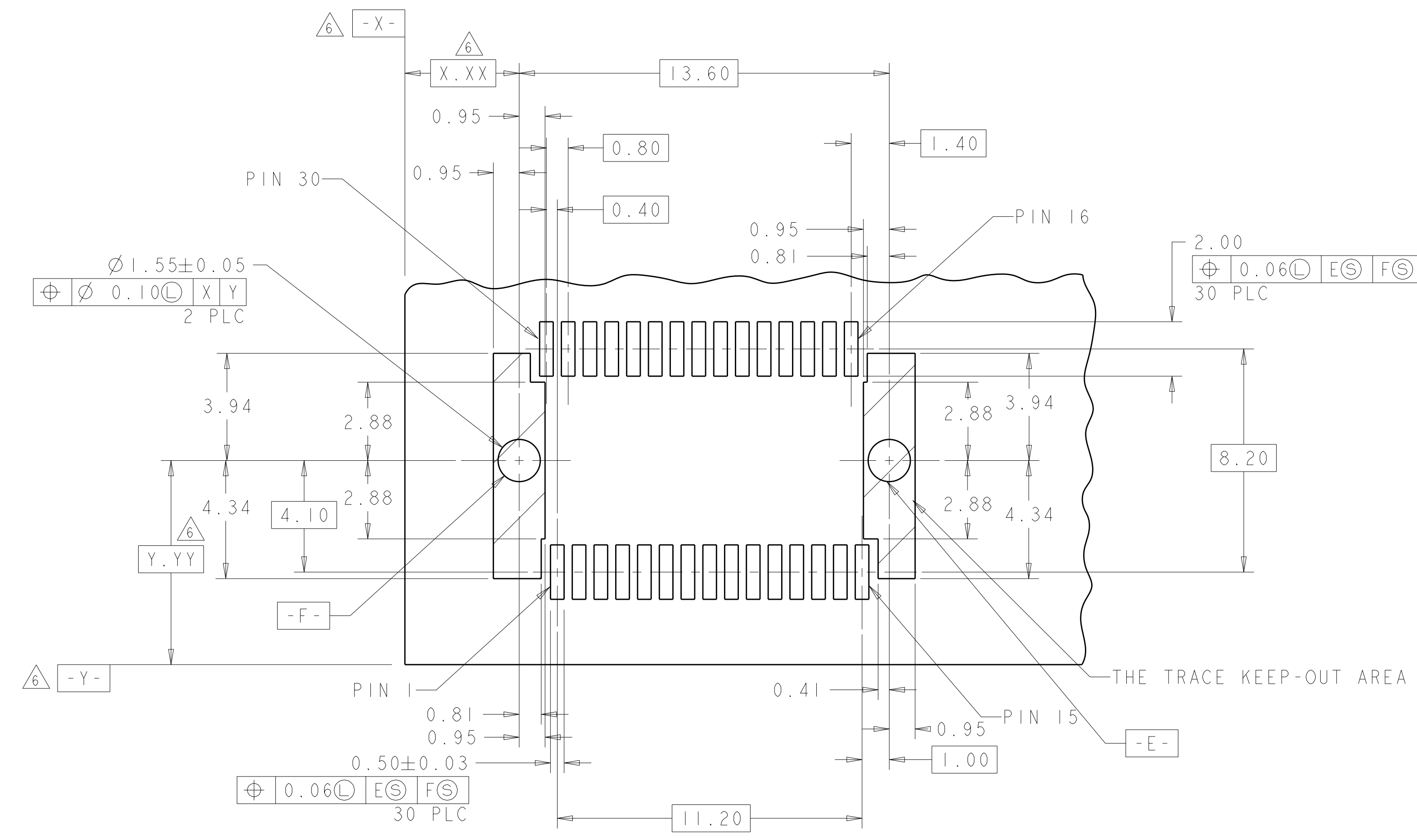
FINISH	PART NUMBER
9	788862-3
7	788862-2
3	788862-1

THIS DRAWING IS A CONTROLLED DOCUMENT.		DWN: J. GERACE 15JAN02 CHK: J. KOPPENHEFFER 15JAN02 APVD: M. WALMSLEY 15JAN02	NAME: PT CONNECTOR ASSEMBLY, 30 POSITION, XFP, RTANG, 0.8MM PITCH PRODUCT SPEC: 108-1949 APPLICATION SPEC: 114-13017
DIMENSIONS: mm TOLERANCES UNLESS OTHERWISE SPECIFIED: 9 PLC ± 3 PLC ±0.10 5 PLC ± 4 PLC ± ANGLES ±	MATERIAL: SEE TABLE FINISH: SEE TABLE	WEIGHT: - CUSTOMER DRAWING	SCALE: 8:1 SHEET: 1 OF 2 REV: G1

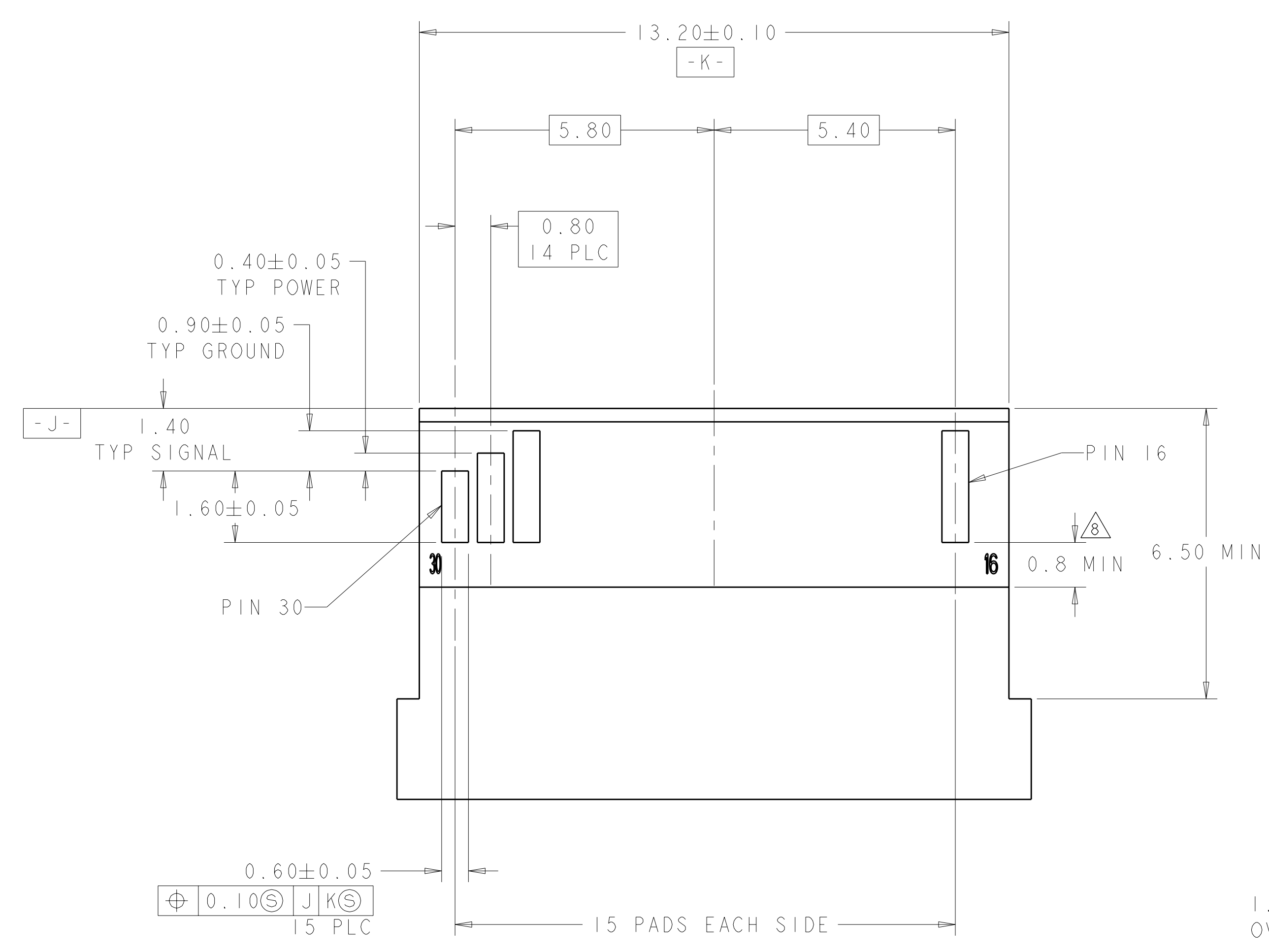
LOC	DIST	REV	DATE	BY	APPD
ES	00				

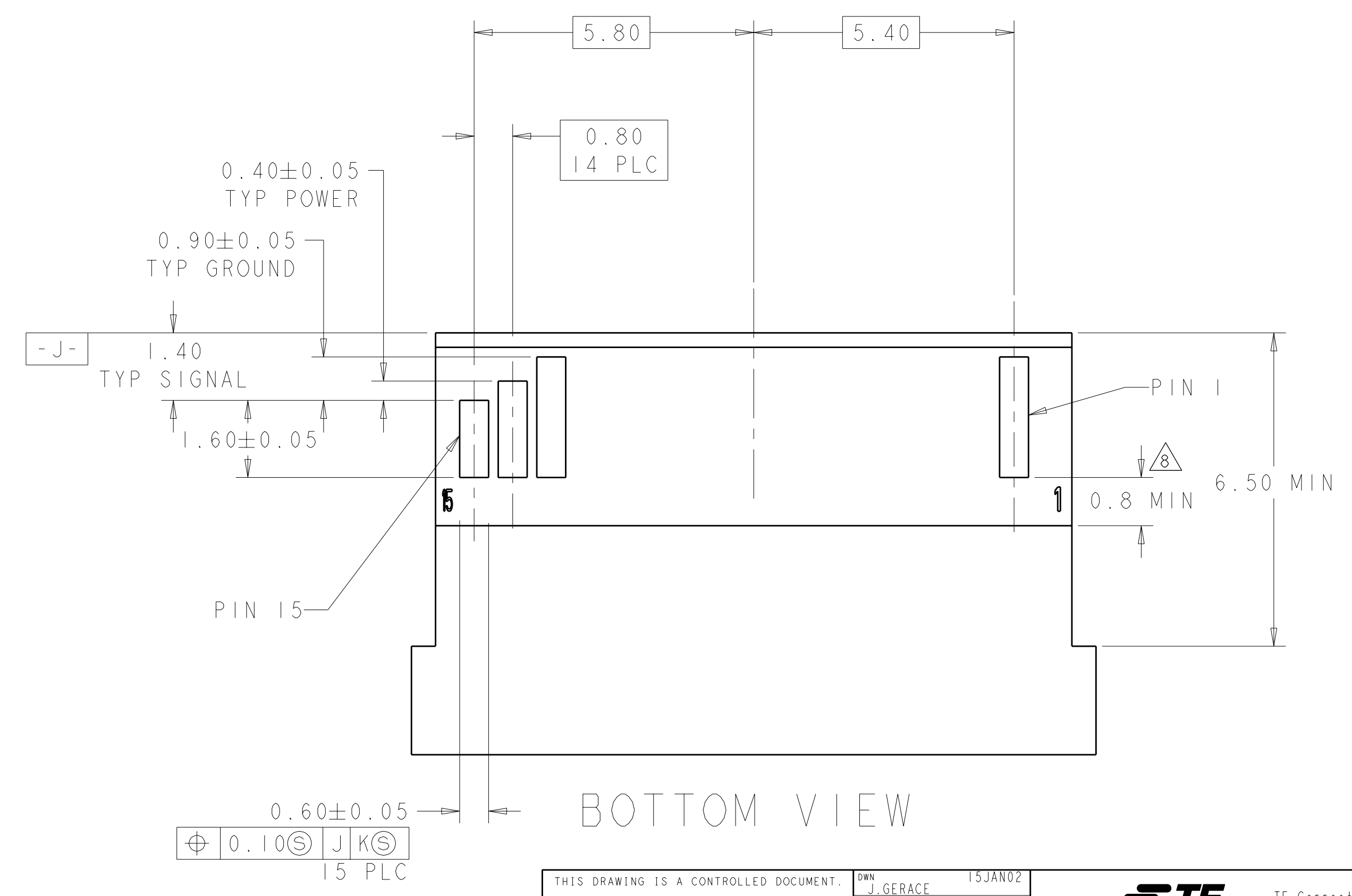
REVISIONS			
REV	DATE	BY	APPD
-	-	-	-
-	-	-	-



RECOMMENDED PCB LAYOUT DETAIL  
CONNECTOR MOUNTING SIDE  
SCALE 8:1



TOP VIEW



BOTTOM VIEW

RECOMMENDED LAYOUT DETAIL  
MATING PCB  
SCALE 12:1

THIS DRAWING IS A CONTROLLED DOCUMENT.		OWN: J. GERACE 15JAN02	TE Connectivity
DIMENSIONS: mm		CHK: J. KOPPENHEFFER 15JAN02	
TOLERANCES UNLESS OTHERWISE SPECIFIED:		APVD: M. WALMSLEY 15JAN02	NAME: PT CONNECTOR ASSEMBLY, 30 POSITION, XFP, RTANG, 0.8MM PITCH
9 PLC ±	1 PLC ±0.10	PRODUCT SPEC: 108-1949	SIZE: CAGE CODE: DRAWING NO: A100779C-788862
5 PLC ±	4 PLC ±	APPLICATION SPEC: 114-13017	RESTRICTED TO: -
ANGLES ±	FINISH ±	WEIGHT: -	SCALE: 8:1 SHEET: 2 OF 2 REV: G1
MATERIAL: -	FINISH: -	CUSTOMER DRAWING	