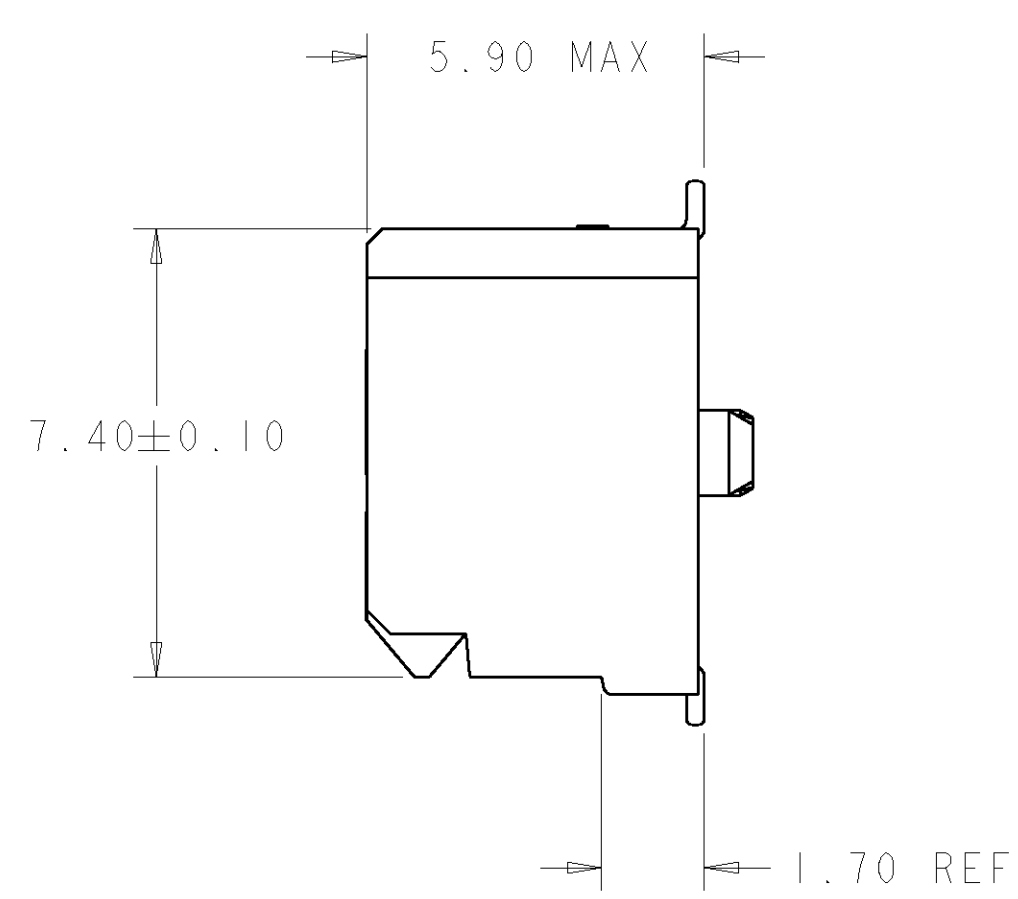
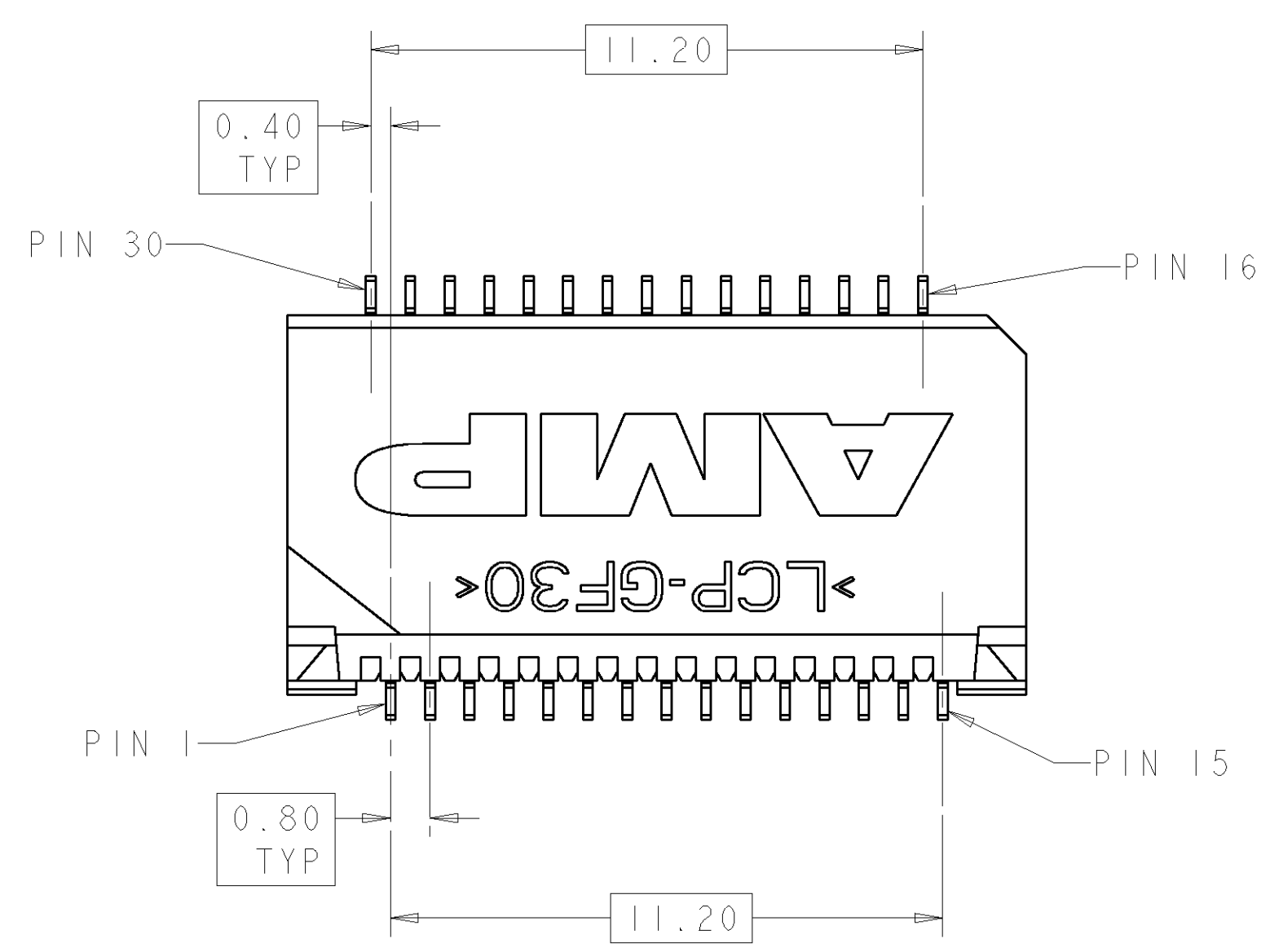
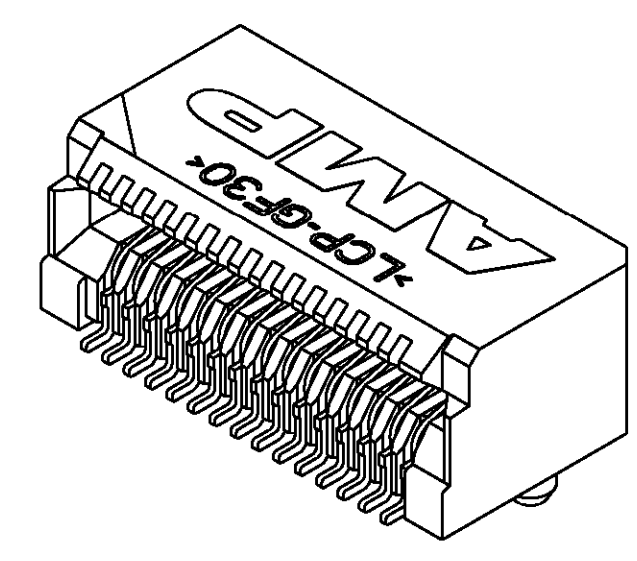
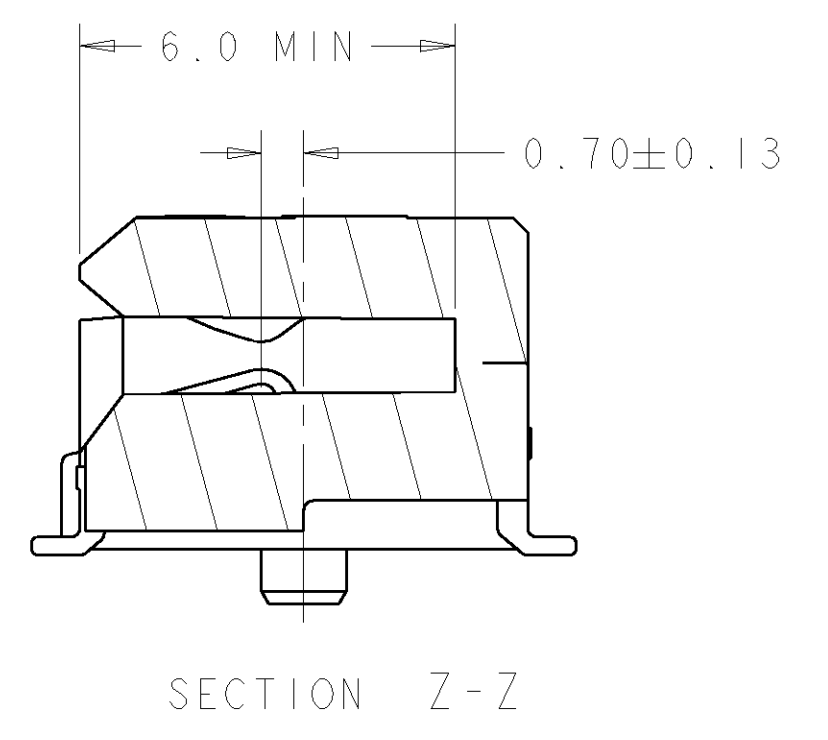
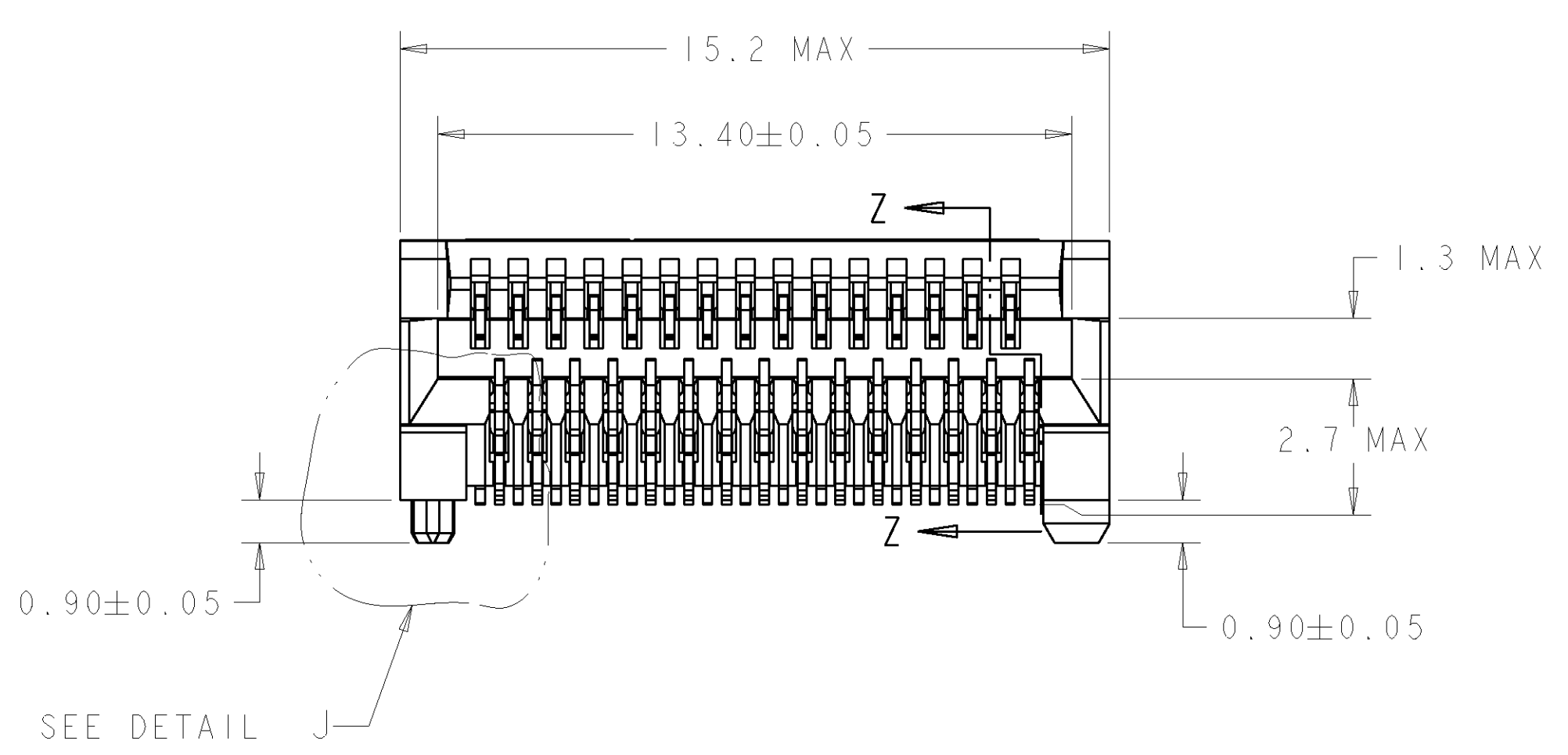


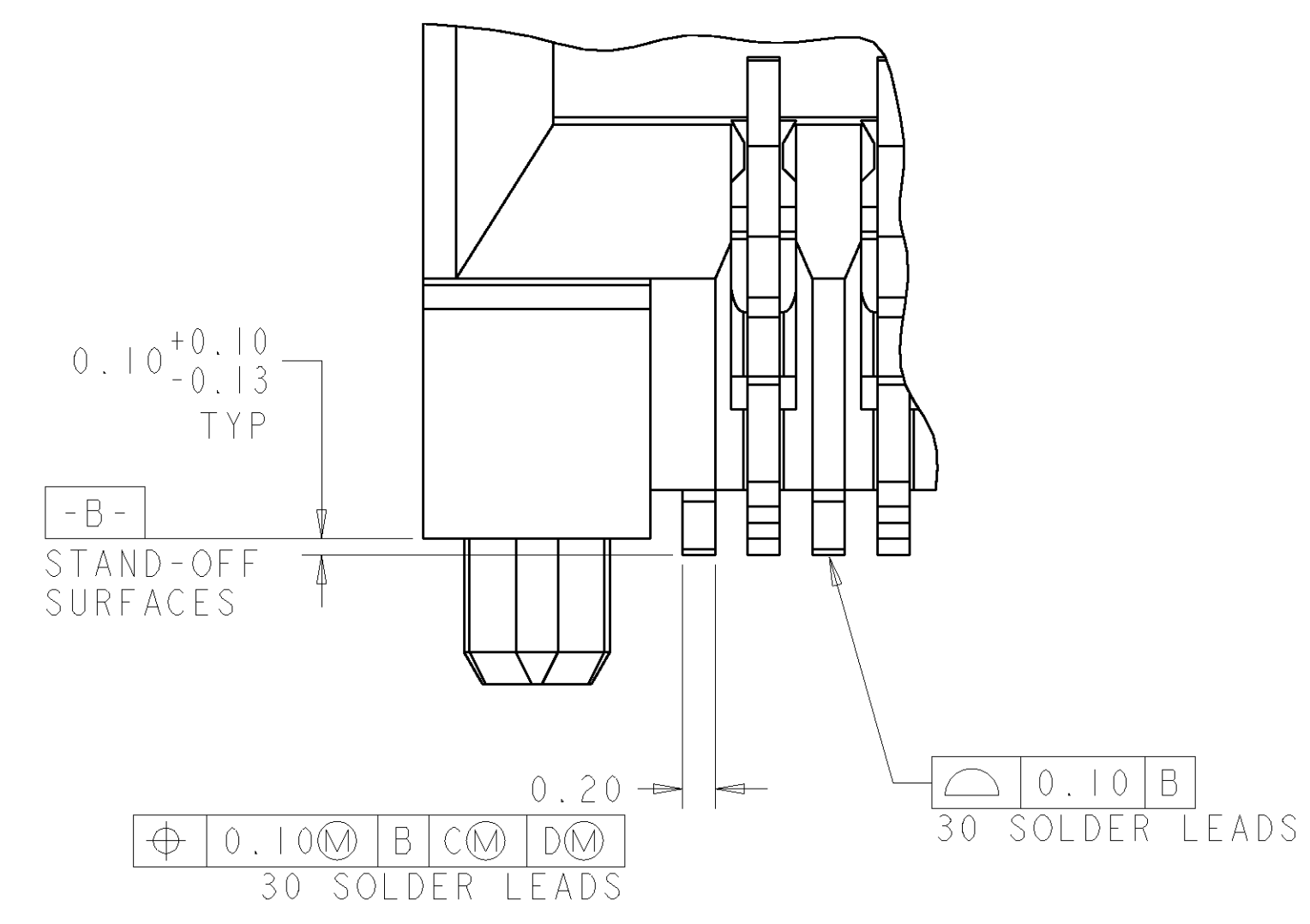
LOC	DIST	REVISIONS			
P	LTR	DESCRIPTION	DATE	BY	APPD
D		REVISED PER EC 0513-0220-05	22FEB06	BM	SS



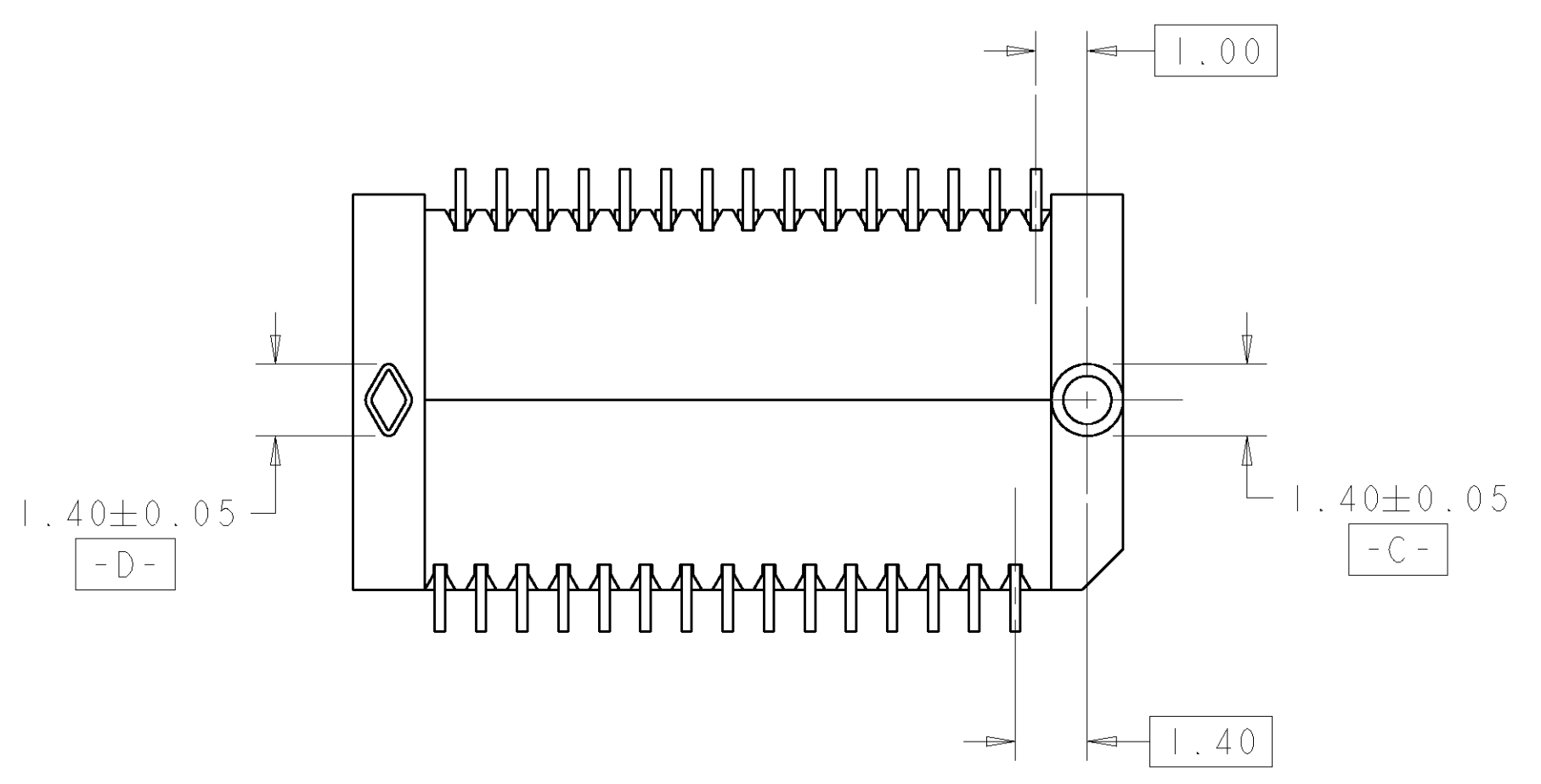
- PART COMPATIBLE WITH XFP MSA. REFER TO THE SFP MSA FOR DIMENSIONS NOT SHOWN ON THIS PRINT.
- HOUSING: HIGH TEMPERATURE LCP, UL 94V-0 RATED, BLACK. CONTACT: PHOSPHOR BRONZE.
- CONTACTS: 0.00038 MIN GOLD IN CONTACT AREA, 0.00013 MIN GOLD ON SOLDER AREA, OVER 0.0038 MIN NICKEL UNDERPLATE ON ENTIRE CONTACT.
- PACKAGED PIECES PER REEL.
- GROUND, POWER AND SIGNAL PAD ARRANGEMENT TO BE DETERMINED BY CUSTOMER.
- DATUMS AND BASIC DIMENSIONS ESTABLISHED BY CUSTOMER.
- CONTACTS: 0.00076 MIN GOLD IN CONTACT AREA, 0.00013 MIN GOLD ON SOLDER AREA, OVER 0.0038 MIN NICKEL UNDERPLATE ON ENTIRE CONTACT.
- SOLDER MASK KEEP OUT AREA.



SCALE 5:1



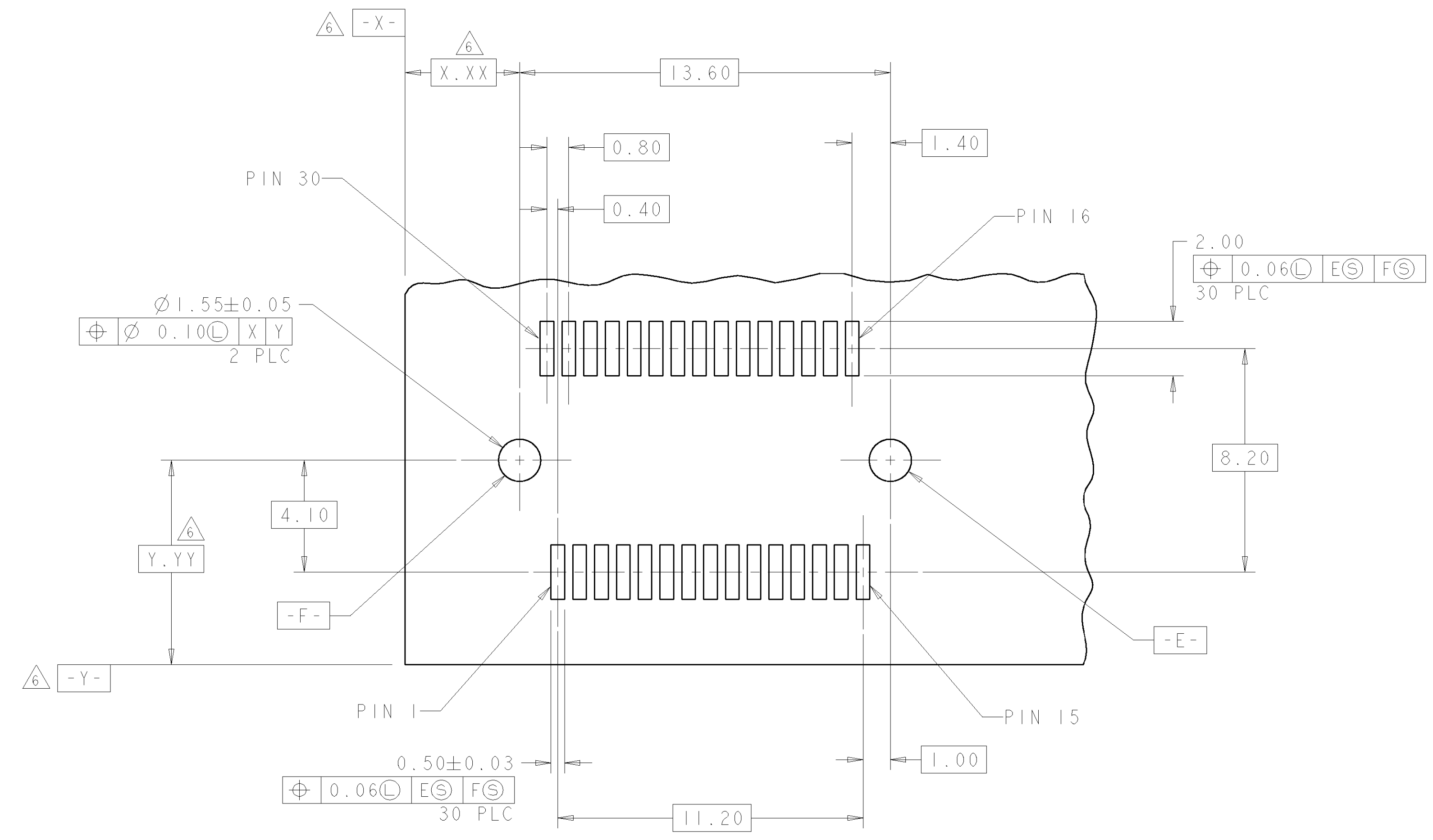
DETAIL J
SCALE 25:1



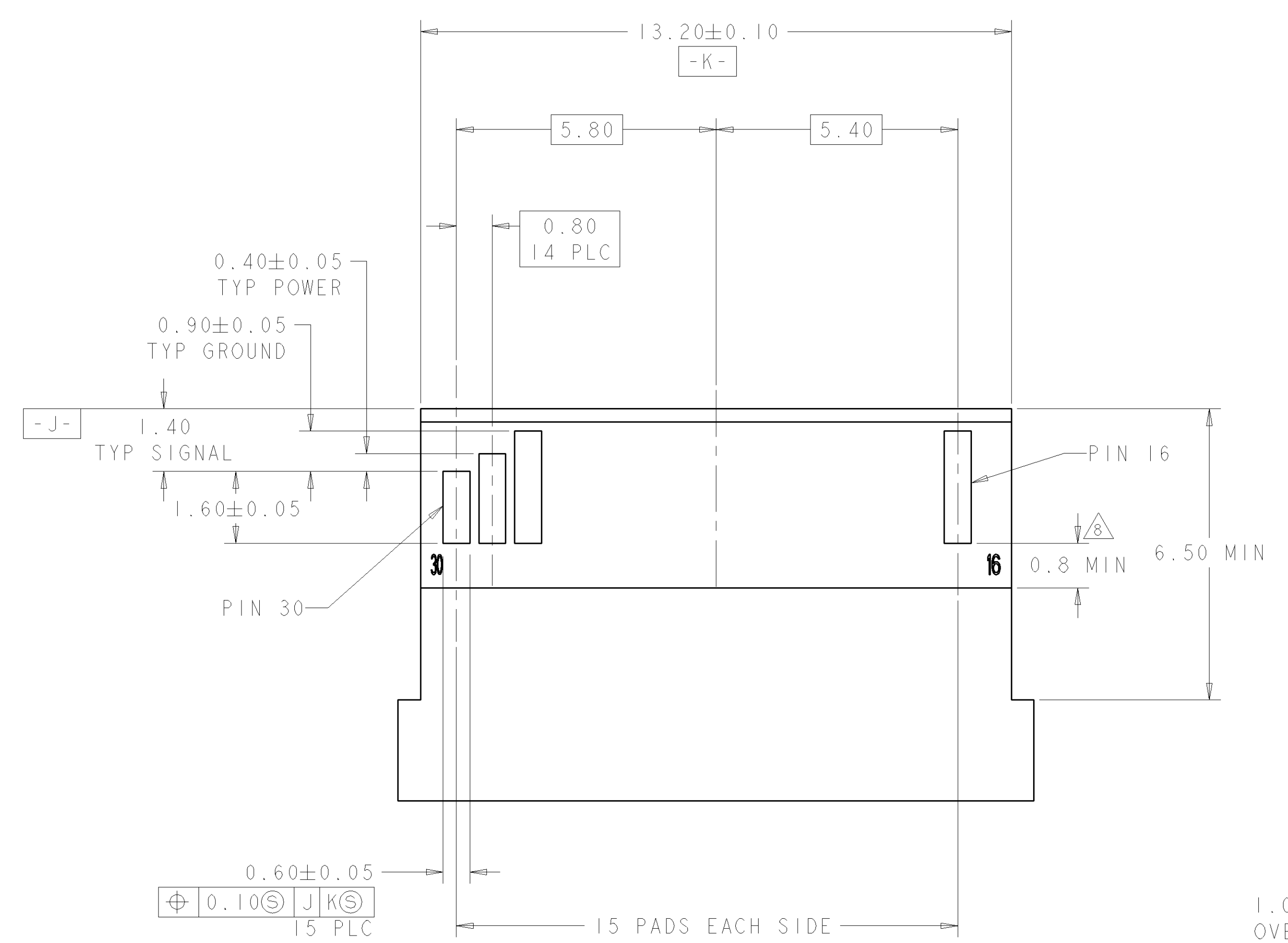
7	788862-2
3	788862-1
FINISH	PART NUMBER

<small>THIS DRAWING IS UNPUBLISHED. RELEASED FOR PUBLICATION BY TICO ELECTRONICS CORPORATION. ALL RIGHTS RESERVED.</small>		DWN J. GERACE 15JAN02 ENR J. KOPPENHEFFER 15JAN02 APPD M. WALMSLEY 15JAN02	tyco Electronics AMP Incorporated Harrisburg, PA 17105-3608
DIMENSIONS: mm 	TOLERANCES UNLESS OTHERWISE SPECIFIED: 0 PLC ± 1 PLC ±0.10 2 PLC ± 3 PLC ± 4 PLC ± ANGLES ±	PRODUCT SPEC 108-1949 APPLICATION SPEC 114-13017 WEIGHT - CUSTOMER DRAWING	NAME FT CONNECTOR ASSEMBLY, 30 POSITION, XFP, RTANG, 0.8MM PITCH SIZE CAGE CODE DRAWING NO RESTRICTED TO A100779C=788862 SCALE 8:1 SHEET 1 OF 2 REV D

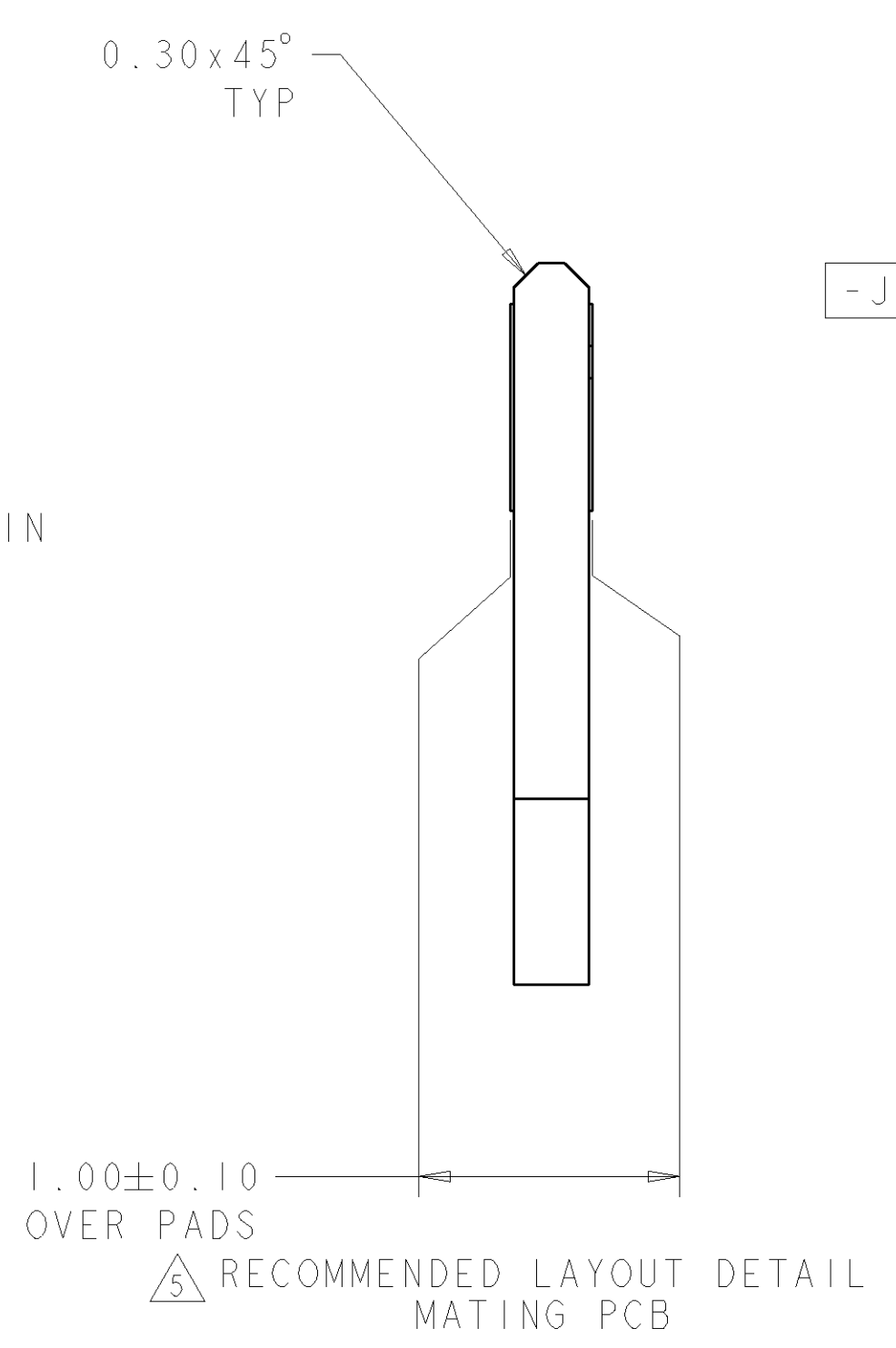
LOC		DIST		REVISONS			
GP	00	P	LTR	DESCRIPTION	DATE	DWN	APVD
		-		SEE SHEET 1	-	-	-



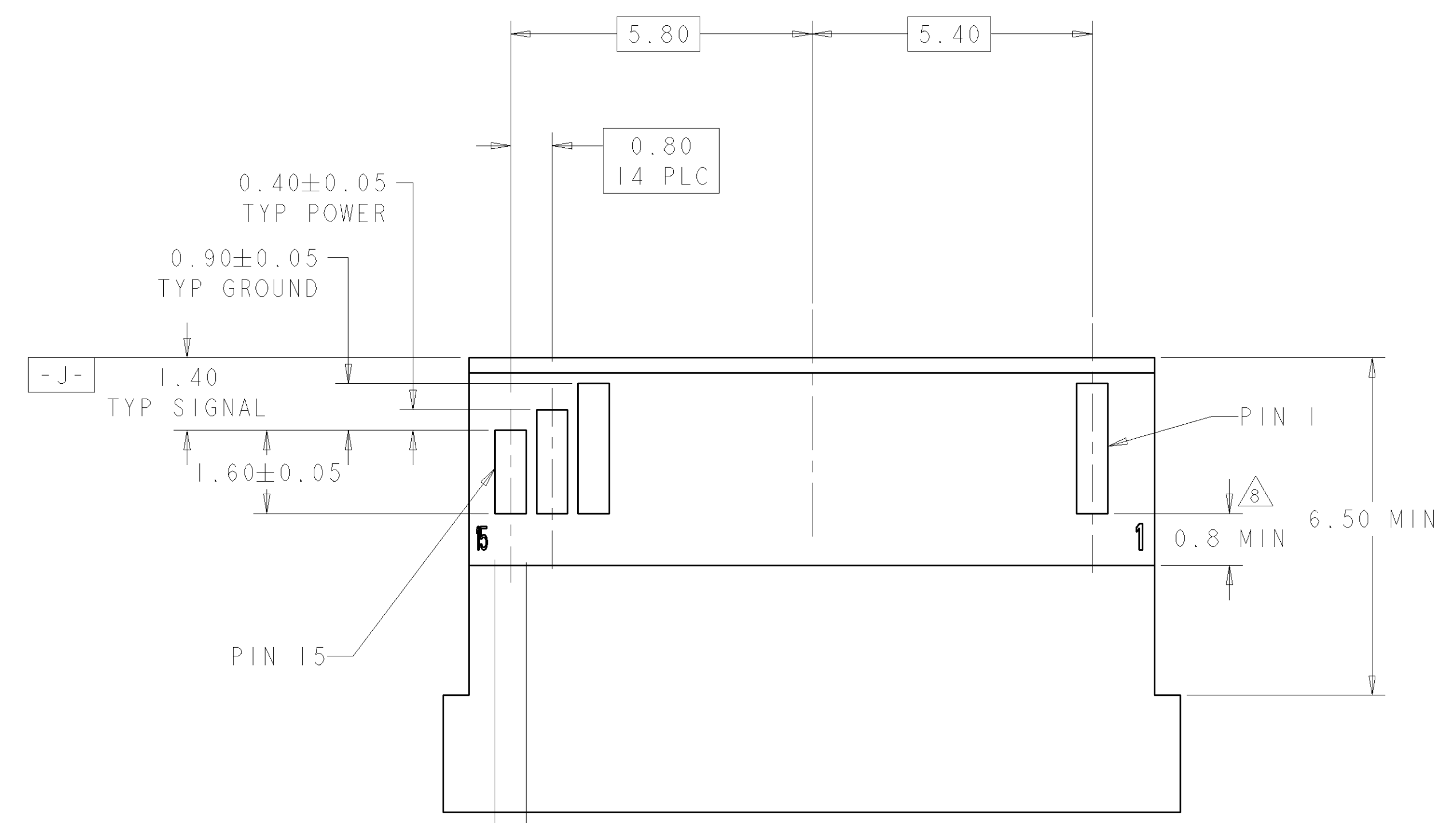
RECOMMENDED PCB LAYOUT DETAIL
 CONNECTOR MOUNTING SIDE
 SCALE 8:1



TOP VIEW



RECOMMENDED LAYOUT DETAIL
 MATING PCB
 SCALE 12:1



BOTTOM VIEW

DIMENSIONS: mm 		TOLERANCES UNLESS OTHERWISE SPECIFIED: 0 PLC ± 1 PLC ±0.10 2 PLC ± 3 PLC ± 4 PLC ± 5 PLC ± ANGLES ±		DWN J.GERACE 15JAN02 ENR J.KOPPENHEFFER 15JAN02 APVD M.WALMSLEY 15JAN02 PRODUCT SPEC 108-1949 APPLICATION SPEC 114-13017 WEIGHT CUSTOMER DRAWING		AMP Incorporated Harrisburg, PA 17105-3608 NAME FT CONNECTOR ASSEMBLY, 30 POSITION, XFP, RTANG, 0.8MM PITCH SIZE CAGE CODE DRAWING NO. RESTRICTED TO A100779C=788862 SCALE 8:1 SHEET 2 OF 2 REV D	
-----------------------	--	--	--	--	--	--	--