



Have a Question?
 Chat with a Product
 Information Specialist

What can we help you find?

[Products](#) |
 [Industries](#) |
 [Resources](#) |
 [About TE](#) |
 [My Account](#) |
 [Innovation](#) |
 [Support Center](#)

794277-1 Product Details

[Share](#) |
 [Print](#) |
 [Email](#)



794277-1

TE Internal Number: 794277-1

Active

View 3D PDF

.250" Centerline, 600 V, 19 - 36 A max

Always EU RoHS/ELV Compliant (Statement of Compliance)

Product Highlights:

- Universal MATE-N-LOK Product Line
- Wire-to-Wire
- Accessory
- Accessory Type = Interface Seal
- Glow Wire Rating = Standard Part - Not Glow Wire

[View all Features](#)

Quick Links

- ▶ [Pricing & Availability](#)
- ▶ [Search for Tooling](#)
- ▶ [Product Feature Selector](#)
- ▶ [Contact Us About This Product](#)

[Add to My Part List](#) |
 [Request Sample](#) |
 [Find Similar Products](#) |
 [Buy Product](#)

Documentation & Additional Information	
<p>Product Drawings:</p> <ul style="list-style-type: none"> • INTERFACE SEAL,9 CIRCUIT, UNIVERSAL MATE-N-LOK (PDF, English) <p>Catalog Pages/Data Sheets:</p> <ul style="list-style-type: none"> • 2_PIECE_POWER_CONNECTORS_qrg_4-1773458-1 (PDF, English) • SOFT_SHELL_PIN_SOCKET_CONNECTORS_STANDARD_DENSITY (PDF, English) <p>Product Specifications:</p> <ul style="list-style-type: none"> • None Available <p>Application Specifications:</p> <ul style="list-style-type: none"> • MATE-N-LOK Sealed Universal Connectors (PDF, English) <p>Instruction Sheets:</p> <ul style="list-style-type: none"> • Universal MATE-N-LOK Splash Proof Seals (PDF, English) <p>CAD Files: (CAD Format & Compression Information)</p> <ul style="list-style-type: none"> • 2D Drawing (DXF, Version D) • 3D Model (IGES, Version D) • 3D Model (STEP, Version D) 	<p>Additional Information:</p> <ul style="list-style-type: none"> • Product Line Information <p>Additional Product Images:</p> <ul style="list-style-type: none"> • Schematic <p>Related Products:</p> <ul style="list-style-type: none"> • Tooling

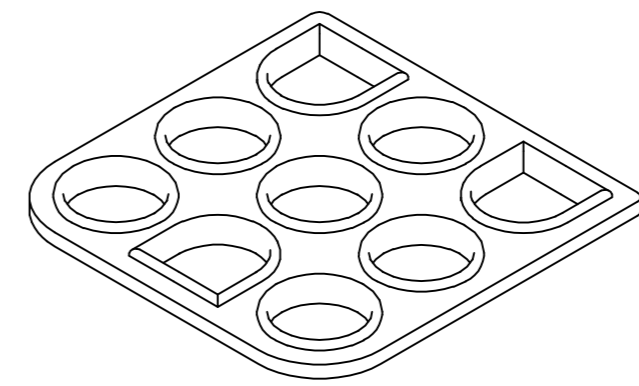
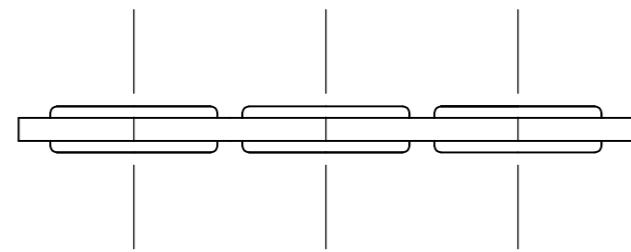
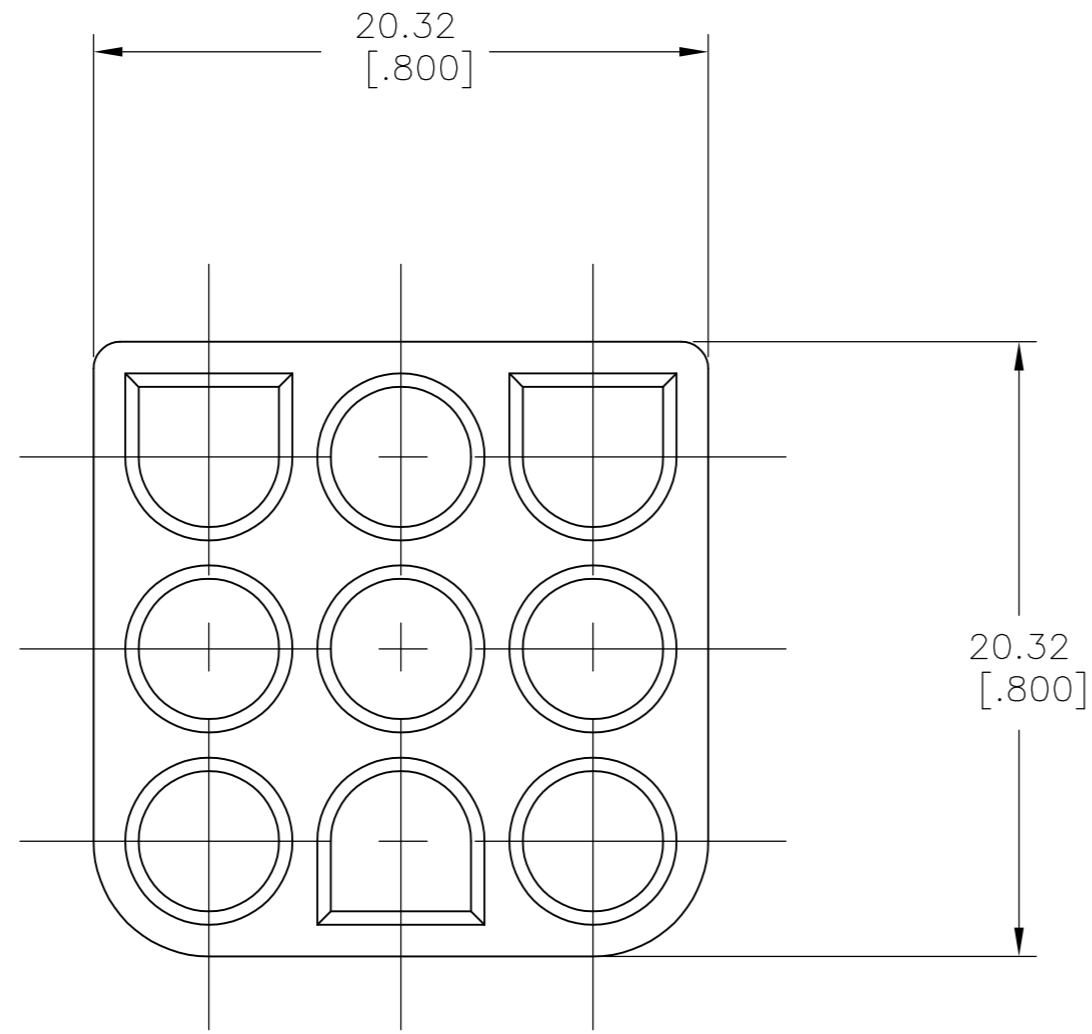
[List all Documents](#)

Product Features (Please use the Product Drawing for all design activity)	
<p>Product Type Features:</p> <ul style="list-style-type: none"> • Product Line = Universal MATE-N-LOK • Product Type = Accessory • Accessory Type = Interface Seal • Accessory Color = Blue • Sealed = No <p>Body Features:</p> <ul style="list-style-type: none"> • Row-to-Row Spacing (mm [in]) = 6.35 [0.250] <p>Contact Features:</p> <ul style="list-style-type: none"> • Contact Layout = Matrix • Multiple Contact Types = Without <p>Housing Features:</p> <ul style="list-style-type: none"> • Centerline (mm [in]) = 6.35 [0.2499] • Housing Material = Silicone <p>Configuration Features:</p> <ul style="list-style-type: none"> • Number of Positions = 9 	<p>Industry Standards:</p> <ul style="list-style-type: none"> • RoHS/ELV Compliance = RoHS compliant, ELV compliant • Lead Free Solder Processes = Not relevant for lead free process • RoHS/ELV Compliance History = Always was RoHS compliant <p>Conditions for Usage:</p> <ul style="list-style-type: none"> • Glow Wire Rating = Standard Part - Not Glow Wire • For Use With = Universal MATE-N-LOK Sealed Connectors <p>Operation/Application:</p> <ul style="list-style-type: none"> • Application Use = Wire-to-Wire <p>Packaging Features:</p> <ul style="list-style-type: none"> • Packaging Method = Bag • Packaging Quantity = 500 <p>Other:</p> <ul style="list-style-type: none"> • Brand = AMP

THIS DRAWING IS UNPUBLISHED. RELEASED FOR PUBLICATION
 © COPYRIGHT - By - ALL RIGHTS RESERVED.

LOC	DIST	REVISIONS					
		P	LTR	DESCRIPTION	DATE	DWN	APVD
CM	53		C	REVISED PER ECR-12-011218	08OCT12	KH	TM

- 1 MATERIAL: SELF LUBRICATING SILICON RUBBER
COLOR: BLUE
- 2 DIMENSIONS IN BRACKETS ARE IN INCHES.



3-DIMENSIONAL MODEL
NTS

794277-1
PART NUMBER

THIS DRAWING IS A CONTROLLED DOCUMENT.		DWN B. LEWIS 3-25-97	TE Connectivity																			
DIMENSIONS: mm [INCHES]		CHK R. SWING 3-25-97																				
TOLERANCES UNLESS OTHERWISE SPECIFIED:		APVD D. SELF 3-25-97	NAME INTERFACE SEAL,9 CIRCUIT, UNIVERSAL MATE-N-LOK™																			
<table border="0"> <tr><td>0 PLC</td><td>±</td><td>-</td></tr> <tr><td>1 PLC</td><td>±</td><td>-</td></tr> <tr><td>2 PLC</td><td>±</td><td>0.38[.015]</td></tr> <tr><td>3 PLC</td><td>±</td><td>-</td></tr> <tr><td>4 PLC</td><td>±</td><td>-</td></tr> <tr><td>ANGLES</td><td>±</td><td>0°30'</td></tr> </table>		0 PLC	±	-	1 PLC	±	-	2 PLC	±	0.38[.015]	3 PLC	±	-	4 PLC	±	-	ANGLES	±	0°30'	PRODUCT SPEC -	SIZE A2	CAGE CODE 00779
0 PLC	±	-																				
1 PLC	±	-																				
2 PLC	±	0.38[.015]																				
3 PLC	±	-																				
4 PLC	±	-																				
ANGLES	±	0°30'																				
MATERIAL 1	FINISH -	APPLICATION SPEC -	DRAWING NO C=794277	RESTRICTED TO -																		
CUSTOMER DRAWING			SCALE 4:1	SHEET 1 of 1																		
			REV C																			