



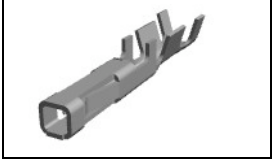
**Have a Question?**  
 Chat with a Product  
 Information Specialist

What can we help you find?

- [Products](#)
- [Industries](#)
- [Resources](#)
- [About TE](#)
- [My Account](#)
- [Innovation](#)
- [Support Center](#)

## 794610-3 Product Details

- [+ Share](#)
- [Print](#)
- [Email](#)



**794610-3**

TE Internal Number: 794610-3



### 3mm Centerline, 250V, 5 A max.

Not EU RoHS or ELV Compliant ([Find RoHS Compliant Alternates](#))

#### Product Highlights:

- Wire-to-Wire
- Applies To Wire/Cable
- Contact
- Contact Type = Socket
- Contact - Rated Current = 5 A

[View all Features](#)

#### Quick Links

- ▶ [Pricing & Availability](#)
- ▶ [Search for Tooling](#)
- ▶ [Product Feature Selector](#)
- ▶ [Contact Us About This Product](#)

- [View 3D PDF](#)
- [Add to My Part List](#)
- [Request Sample](#)
- [Find Similar Products](#)
- [Buy Product](#)

Documentation & Additional Information	
<p><b>Product Drawings:</b></p> <ul style="list-style-type: none"> <li>• <a href="#">CONTACT, RECEPTACLE, CRIMP, SNAP-IN, LOOSE PIECE, MI...</a> (PDF, English)</li> </ul> <p><b>Catalog Pages/Data Sheets:</b></p> <ul style="list-style-type: none"> <li>• <a href="#">1773458-4_MICRO_MATE_N_LOK_CONNECTOR_SYSTEM_QRG</a> (PDF, English)</li> <li>• <a href="#">SOFT_SHELL_PIN_AND_SOCKET_CONNECTORS_CATALOG</a> (PDF, English)</li> </ul> <p><b>Product Specifications:</b></p> <ul style="list-style-type: none"> <li>• <a href="#">3 mm Micro MATE-N-LOK Connector</a> (PDF, English)</li> </ul> <p><b>Application Specifications:</b></p> <ul style="list-style-type: none"> <li>• <a href="#">Micro MATE-N-LOK Connectors</a> (PDF, English)</li> </ul> <p><b>Instruction Sheets:</b></p> <ul style="list-style-type: none"> <li>• None Available</li> </ul> <p><b>CAD Files:</b> (<a href="#">CAD Format &amp; Compression Information</a>)</p> <ul style="list-style-type: none"> <li>• <a href="#">2D Drawing</a> (DXF, Version D)</li> <li>• <a href="#">3D Model</a> (IGES, Version D)</li> <li>• <a href="#">3D Model</a> (STEP, Version D)</li> </ul>	<p><b>Additional Information:</b></p> <ul style="list-style-type: none"> <li>• <a href="#">Product Line Information</a></li> </ul> <p><b>Related Products:</b></p> <ul style="list-style-type: none"> <li>• <a href="#">Tooling</a></li> </ul>
<a href="#">List all Documents</a>	

Product Features (Please use the Product Drawing for all design activity)	
<p><b>Product Type Features:</b></p> <ul style="list-style-type: none"> <li>• Product Type = Contact</li> <li>• Termination Method to Wire/Cable = Crimp</li> <li>• Wire/Cable Type = Discrete Wire</li> <li>• Strain Relief = Without</li> <li>• Sealed = No</li> </ul> <p><b>Mechanical Attachment:</b></p> <ul style="list-style-type: none"> <li>• Contact Retention = With</li> <li>• Contact Retention Type = Locking Lance</li> </ul> <p><b>Electrical Characteristics:</b></p> <ul style="list-style-type: none"> <li>• Contact - Rated Current (A) = 5</li> <li>• Operating Voltage Reference = AC/DC</li> <li>• Operating Voltage (VAC) = 250</li> <li>• Operating Voltage (VDC) = 250</li> </ul> <p><b>Termination Features:</b></p> <ul style="list-style-type: none"> <li>• Wire/Cable Size (mm<sup>2</sup>) = 0.2 - 0.5</li> <li>• Wire/Cable Size (AWG) = 20 - 24</li> </ul> <p><b>Body Features:</b></p> <ul style="list-style-type: none"> <li>• Wire Type = Stranded</li> </ul> <p><b>Contact Features:</b></p> <ul style="list-style-type: none"> <li>• Contact Type = Socket</li> <li>• Contact Base Material = Phosphor Bronze</li> <li>• Contact Plating Matting Area Material = Gold</li> </ul>	<p><b>Industry Standards:</b></p> <ul style="list-style-type: none"> <li>• <a href="#">RoHS/ELV Compliance</a> = Not ELV/RoHS compliant</li> <li>• <a href="#">Lead Free Solder Processes</a> = Not relevant for lead free process</li> </ul> <p><b>Environmental:</b></p> <ul style="list-style-type: none"> <li>• Operating Temperature (°C [°F]) = -40 - +105 [-40 - +221]</li> </ul> <p><b>Conditions for Usage:</b></p> <ul style="list-style-type: none"> <li>• Applies To = Wire/Cable</li> <li>• Accepts Wire Insulation Diameter, Range (mm [in]) = 0.89 - 1.52 [0.035 - 0.060]</li> </ul> <p><b>Operation/Application:</b></p> <ul style="list-style-type: none"> <li>• Application Use = Wire-to-Wire</li> </ul> <p><b>Packaging Features:</b></p> <ul style="list-style-type: none"> <li>• Packaging Method = Bag</li> <li>• Packaging Quantity = 500</li> </ul> <p><b>Other:</b></p> <ul style="list-style-type: none"> <li>• Brand = AMP</li> </ul>

- Contact Plating, Mating Area, Thickness ( $\mu\text{m}$  [ $\mu\text{in}$ ]) = 0.76 [29.92]
- Underplate Material = Nickel

### Corporate Information

- [About TE](#)
- [Investors](#)
- [News Room](#)
- [Supplier Portal](#)
- [Careers](#)
- [Terms & Conditions](#)
- [Privacy Policy](#)

### Quick Links

- [Distributor Inventory](#)
- [Product Cross Reference](#)
- [Documents & Drawings](#)
- [Product Compliance Support Center](#)
- [Site Map](#)

### Customer Support

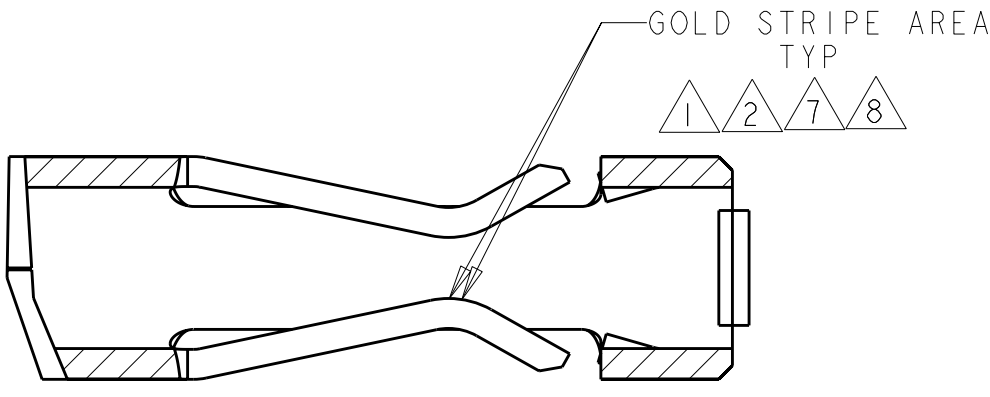
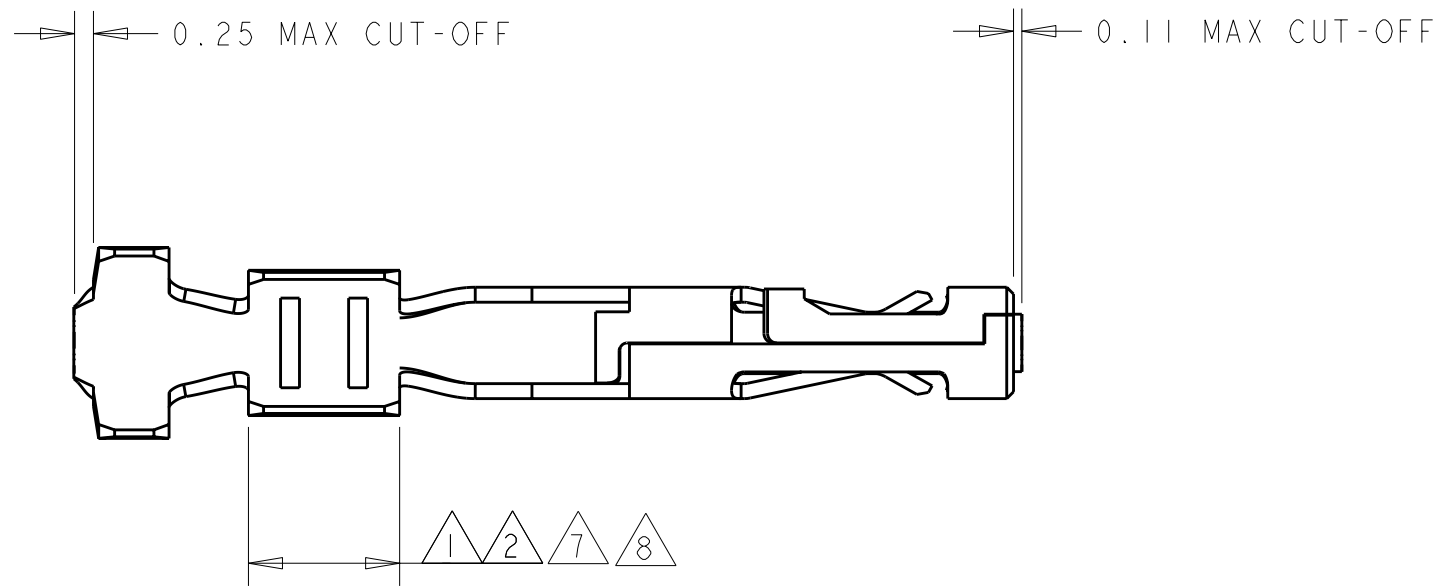
- [Email or Chat With Us](#)
- [Find a Phone Number](#)
- [Knowledge Base](#)
- [Manage Your Account](#)

### Keep Me Informed



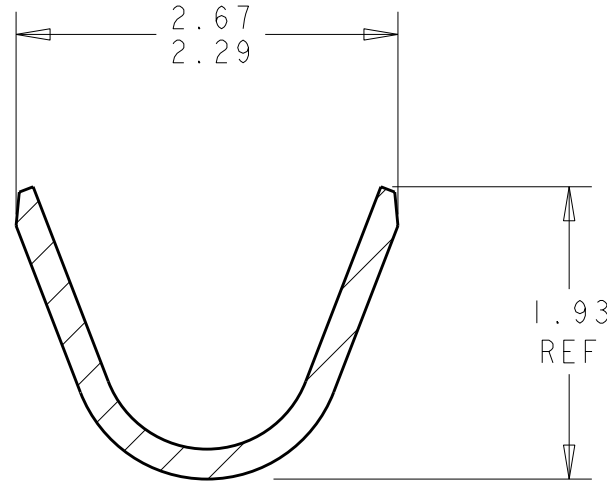
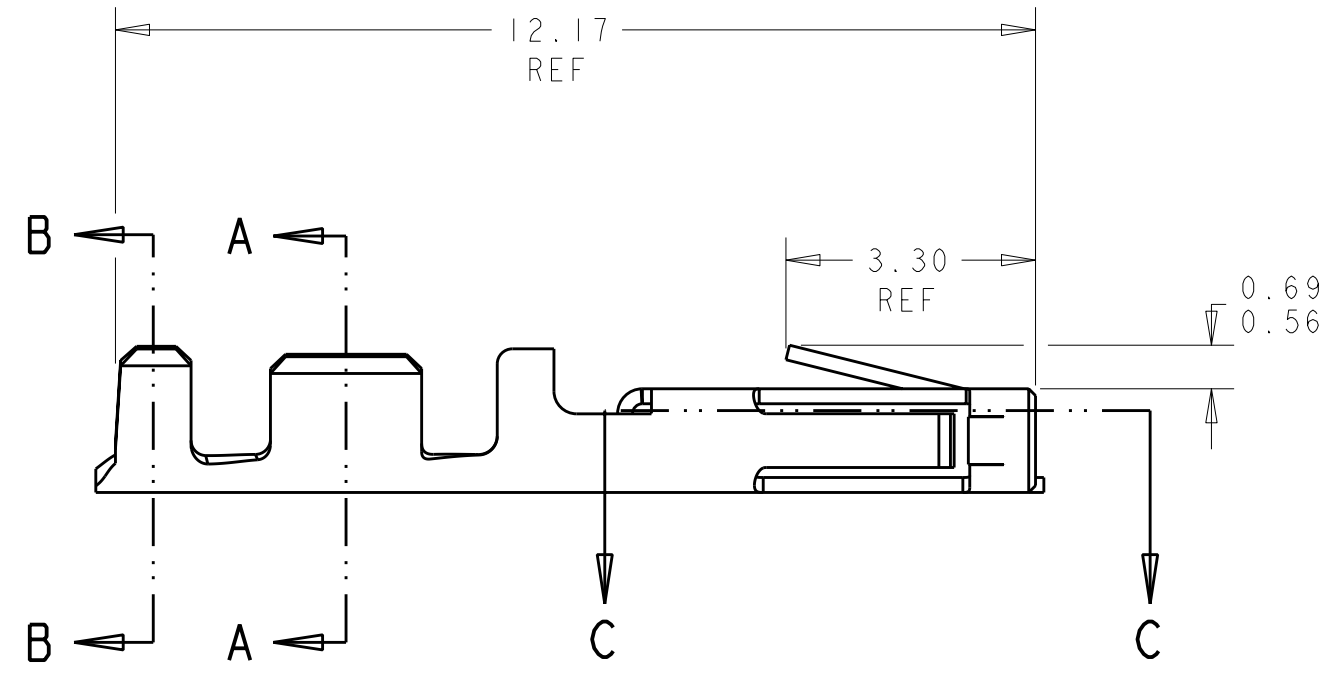
THIS DRAWING IS UNPUBLISHED. RELEASED FOR PUBLICATION  
 © COPYRIGHT 20 BY - ALL RIGHTS RESERVED.

LOC	DIST	REVISIONS			
P	LTR	DESCRIPTION	DATE	DWN	APVD
CM	00				
	DI	REVISED PER ECO-11-005027	14MAR2011	RK	HMR

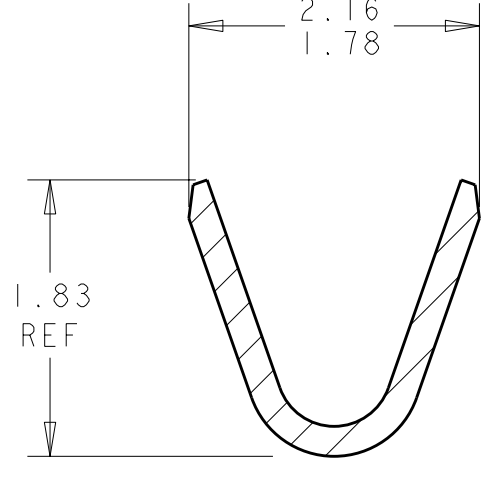


SECTION C-C  
SCALE 20:1

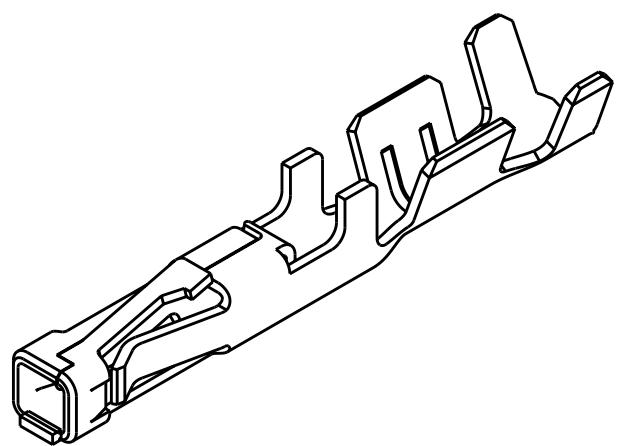
- 1 0.000762 THK GOLD STRIPE IN THE GOLD PLATE AREA, BRIGHT TIN IN THE CRIMP AREA, OVER NICKEL PLATE.
- 2 0.000381 THK GOLD STRIPE IN THE GOLD PLATE AREA, BRIGHT TIN IN THE CRIMP AREA, OVER NICKEL PLATE.
- 3 0.0015 - 0.0040 THK BRIGHT TIN.
- 4 WIRE RANGE: 20 - 24 AWG.
- 5 INSULATION RANGE 0.89 - 1.524.
- 7 0.000762 THK GOLD STRIPE IN THE GOLD PLATE AREA, BRIGHT TIN-LEAD IN THE CRIMP AREA, OVER NICKEL PLATE.
- 8 0.000381 THK GOLD STRIPE IN THE GOLD PLATE AREA, BRIGHT TIN-LEAD IN THE CRIMP AREA, OVER NICKEL PLATE.



SECTION B-B  
SCALE 20:1



SECTION A-A  
SCALE 20:1



3 DIMENSIONAL VIEW  
SCALE 8:1

1	1-794610-2
2	1-794610-1
7	794610-3
8	794610-2
3	794610-1
FINISH	PART NUMBER



THIS DRAWING IS A CONTROLLED DOCUMENT.		DWN K. WHITAKER 19-OCT-1999	TE Connectivity	
DIMENSIONS: mm		CHK K. COBLE 19-OCT-1999		
TOLERANCES UNLESS OTHERWISE SPECIFIED:		APVD K. COBLE 19-OCT-1999	NAME CONTACT, RECEPTACLE, CRIMP, SNAP-IN, LOOSE PIECE, MICRO MATE-N-LOK(TM)	
0 PLC ± 1 PLC ± 2 PLC ±0.13 3 PLC ± 4 PLC ±		PRODUCT SPEC -	SIZE A200779C-794610	
ANGLES ±0.30° FINISH		APPLICATION SPEC -	DRAWING NO 794610	
MATERIAL 0.2 PH BRZ		WEIGHT -	RESTRICTED TO -	
SEE TABLE		CUSTOMER DRAWING	SCALE 10:1 SHEET 1 OF 1 REV DI	