



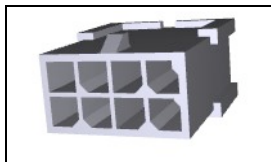
Have a Question?
 Chat with a Product
 Information Specialist

What can we help you find?

[Products](#) |
 [Industries](#) |
 [Resources](#) |
 [About TE](#) |
 [My Account](#) |
 [Innovation](#) |
 [Support Center](#)

794616-8 Product Details

[Share](#) |
 [Print](#) |
 [Email](#)



794616-8

TE Internal Number: 794616-8

Active

[View 3D PDF](#)

3mm Centerline, 250V, 5 A max.

Always EU RoHS/ELV Compliant (Statement of Compliance)

Product Highlights:

- Wire-to-Wire
- Applies To Wire/Cable
- Connector
- Housing
- Connector Style = Plug

[View all Features](#)

Quick Links

- ▶ [Pricing & Availability](#)
- ▶ [Search for Tooling](#)
- ▶ [View Mating Products \(1\)](#)
- ▶ [Product Feature Selector](#)
- ▶ [Contact Us About This Product](#)

[Add to My Part List](#) |
 [Request Sample](#) |
 [Find Similar Products](#) |
 [Buy Product](#)

Documentation & Additional Information

<p>Product Drawings:</p> <ul style="list-style-type: none"> • PLUG HOUSING, 2 to 24 POSITION DUAL ROW, FREE HANGI... (PDF, English) <p>Catalog Pages/Data Sheets:</p> <ul style="list-style-type: none"> • 1773458-4_MICRO_MATE_N_LOK_CONNECTOR_SYSTEM_QRG (PDF, English) • SOFT_SHELL_PIN_AND_SOCKET_CONNECTORS_CATALOG (PDF, English) <p>Product Specifications:</p> <ul style="list-style-type: none"> • None Available <p>Application Specifications:</p> <ul style="list-style-type: none"> • None Available <p>Instruction Sheets:</p> <ul style="list-style-type: none"> • None Available <p>CAD Files: (CAD Format & Compression Information)</p> <ul style="list-style-type: none"> • 2D Drawing (DXF, Version 0) • 3D Model (IGES, Version 0) • 3D Model (STEP, Version 0) 	<p>Additional Information:</p> <ul style="list-style-type: none"> • Product Line Information <p>Related Products:</p> <ul style="list-style-type: none"> • Tooling • Mating Products (1)
---	---

[List all Documents](#)

Product Features (Please use the Product Drawing for all design activity)

<p>Product Type Features:</p> <ul style="list-style-type: none"> • Product Type = Connector • Connector Type = Housing • Strain Relief = Without • UL File Number = E28476 • CSA File Number = LR 7189 <p>Mechanical Attachment:</p> <ul style="list-style-type: none"> • Mating Retention Type = Locking Tab <p>Electrical Characteristics:</p> <ul style="list-style-type: none"> • Operating Voltage Reference = AC/DC • Operating Voltage (VAC) = 250 • Operating Voltage (VDC) = 250 <p>Body Features:</p> <ul style="list-style-type: none"> • Row-to-Row Spacing (mm [in]) = 3.00 [0.118] • Mating Retention = With <p>Contact Features:</p> <ul style="list-style-type: none"> • Contact Type = Pin • Contact Layout = Double Row <p>Housing Features:</p> <ul style="list-style-type: none"> • Connector Style = Plug • Housing Color = Black • Housing Material = Nylon 66/6 	<p>Configuration Features:</p> <ul style="list-style-type: none"> • Number of Positions = 8 • Number of Rows = 2 <p>Industry Standards:</p> <ul style="list-style-type: none"> • RoHS/ELV Compliance = RoHS compliant, ELV compliant • Lead Free Solder Processes = Not relevant for lead free process • RoHS/ELV Compliance History = Always was RoHS compliant • VDE Tested = Yes • Agency/Standard = CSA, UL • UL Rating = Recognized • CSA Rating = Certified <p>Environmental:</p> <ul style="list-style-type: none"> • Operating Temperature (°C [°F]) = -40 - +105 [-40 - +221] <p>Conditions for Usage:</p> <ul style="list-style-type: none"> • Applies To = Wire/Cable <p>Operation/Application:</p> <ul style="list-style-type: none"> • Application Use = Wire-to-Wire <p>Packaging Features:</p> <ul style="list-style-type: none"> • Packaging Method = Bag • Packaging Quantity = 1,000
--	--

- Centerline (mm [in]) = 3.00 [0.118]
- Mating Alignment = With
- Mating Alignment Type = Polarization
- UL Flammability Rating = UL 94V-0

- Other:**
- Brand = AMP
 - Comment = Free Hanging

Corporate Information

- [About TE](#)
- [Investors](#)
- [News Room](#)
- [Supplier Portal](#)
- [Careers](#)
- [Terms & Conditions](#)
- [Privacy Policy](#)

Quick Links

- [Distributor Inventory](#)
- [Product Cross Reference](#)
- [Documents & Drawings](#)
- [Product Compliance Support Center](#)
- [Site Map](#)

Customer Support

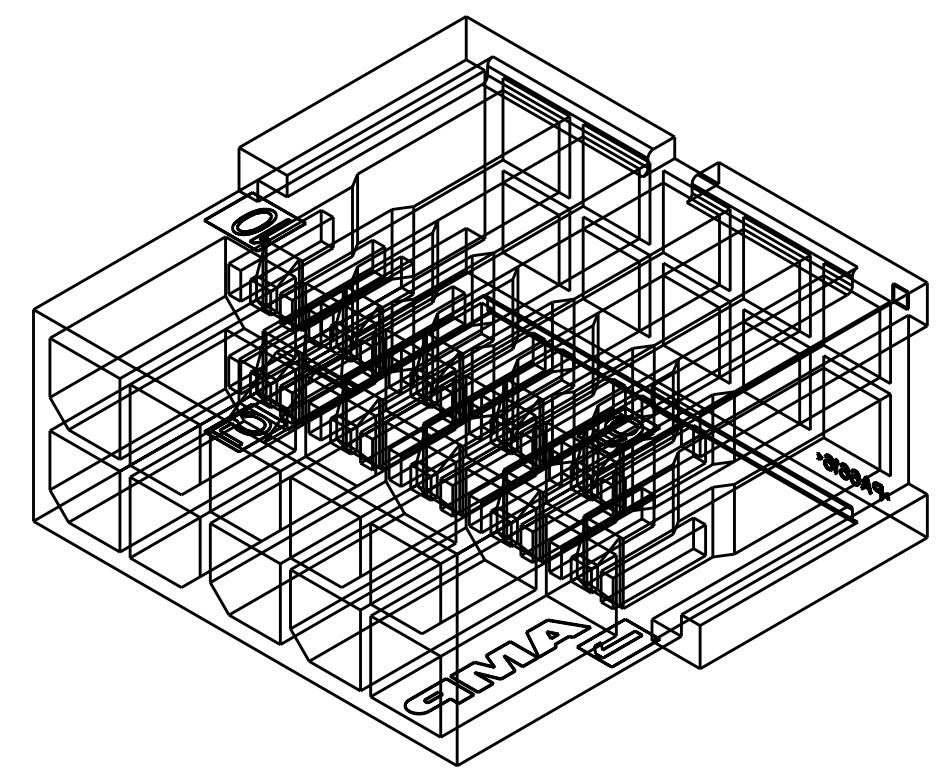
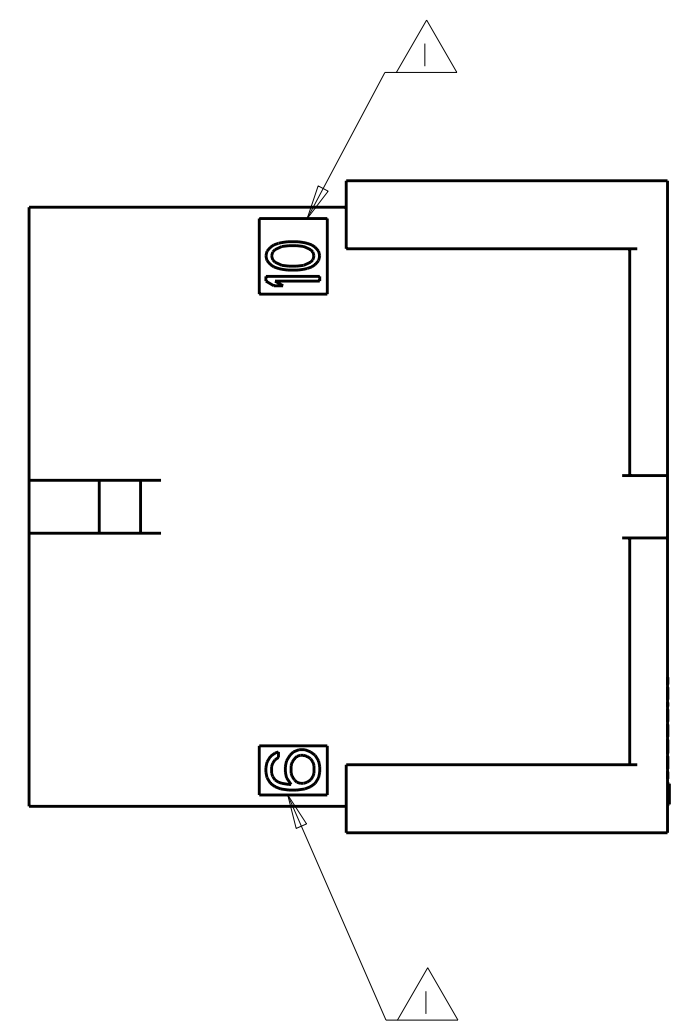
- [Email or Chat With Us](#)
- [Find a Phone Number](#)
- [Knowledge Base](#)
- [Manage Your Account](#)

Keep Me Informed

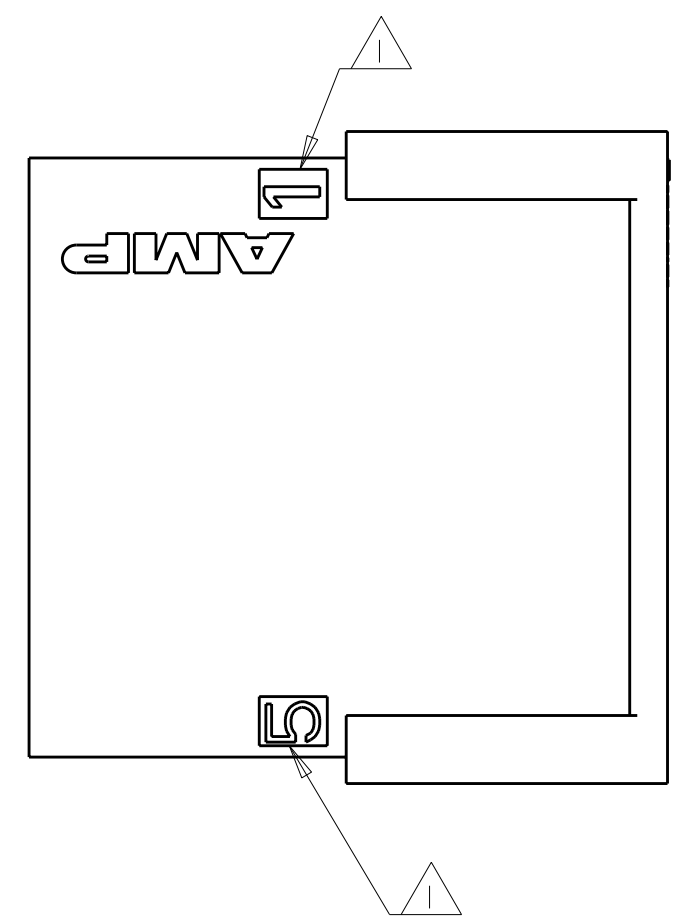
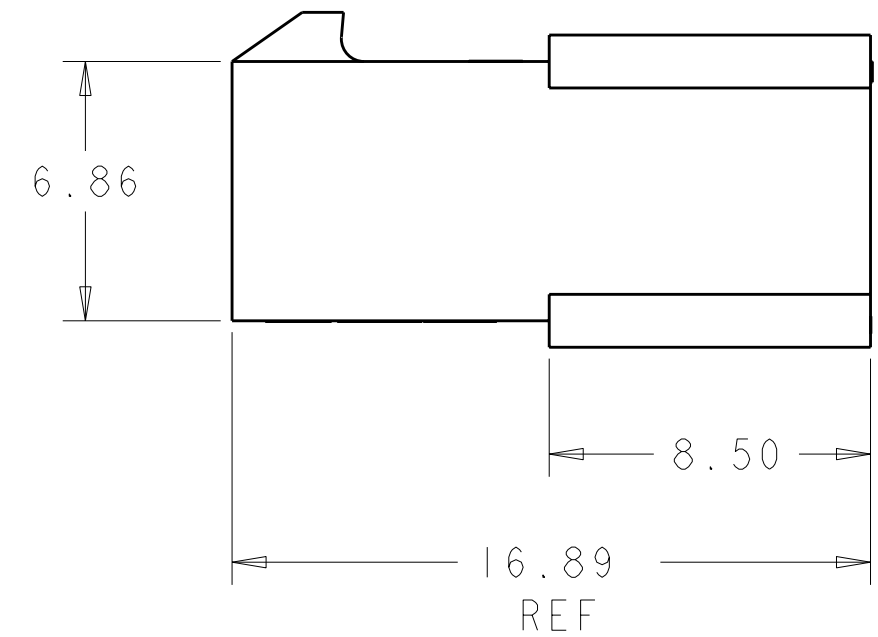
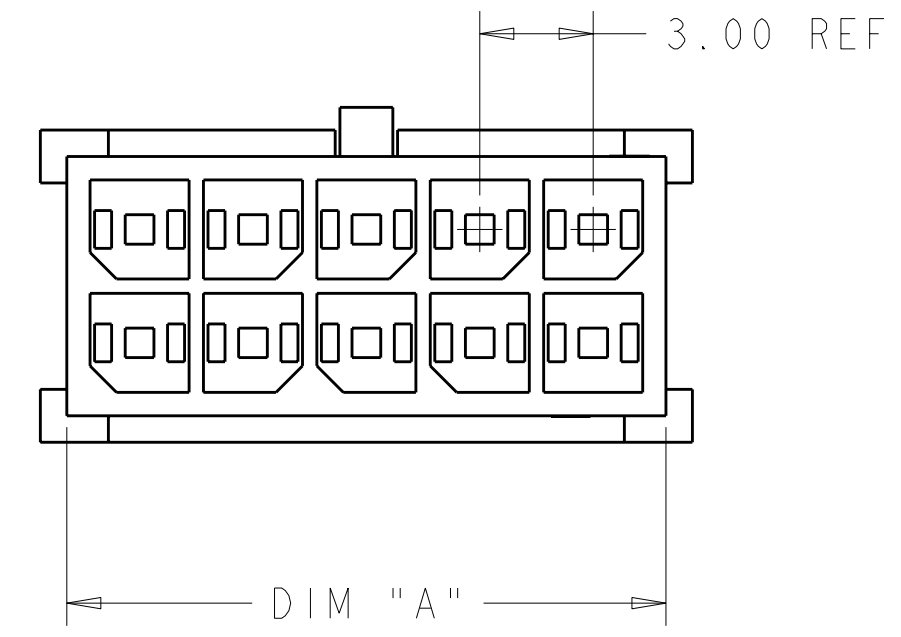


THIS DRAWING IS UNPUBLISHED. RELEASED FOR PUBLICATION 20
 © COPYRIGHT 20 BY - ALL RIGHTS RESERVED.

LOC	DIST	REVISIONS			
P	LTR	DESCRIPTION	DATE	DWN	APVD
CM	00				
P		REVISED PER ECO-11-005027	14MAR2011	RK	HMR



SCALE 5:1



△ CIRCUIT IDENTIFIERS LOCATED APPROXIMATELY AS SHOWN.

36.85	24	2-794616-4
33.85	22	2-794616-2
30.85	20	2-794616-0
27.85	18	1-794616-8
24.85	16	1-794616-6
21.85	14	1-794616-4
18.85	12	1-794616-2
15.85	10	1-794616-0
12.85	8	794616-8
9.85	6	794616-6
6.85	4	794616-4
3.85	2	794616-2
DIM A	NO. OF POS.	PART NUMBER



THIS DRAWING IS A CONTROLLED DOCUMENT.

DWN	W J RUDY	29AUG2000
CHK	W DAVIS	29AUG2000
APVD	W DAVIS	29AUG2000

TE Connectivity

NAME: PLUG HOUSING, 2 TO 24 POSITION
DUAL ROW, FREE HANGING,
MICRO MATE-N-LOK(TM)

SIZE: A2 CAGE CODE: 00779 DRAWING NO: 794616

MATERIAL: NYLON, UL94V-0, BLACK

WEIGHT: -

CUSTOMER DRAWING

SCALE: 5:1 SHEET 1 OF 1 REV P