



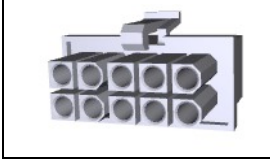
**Have a Question?**  
 Chat with a Product Information Specialist

What can we help you find?

[Products](#) | 
 [Industries](#) | 
 [Resources](#) | 
 [About TE](#) | 
 [My Account](#) | 
 [Innovation](#) | 
 [Support Center](#)

**794781-1 Product Details**

[Share](#) | 
 [Print](#) | 
 [Email](#)



**794781-1**

TE Internal Number: 794781-1

Active

View 3D PDF

**.163" Centerline, 600 V, 9.5 A max.**

Always EU RoHS/ELV Compliant (Statement of Compliance)

**Product Highlights:**

- Mini-Universal MATE-N-LOK Sealed Product Line
- Wire-to-Wire
- Applies To Wire/Cable
- Connector
- Glow Wire Rating = Standard Part - Not Glow Wire

[View all Features](#)

**Quick Links**

- ▶ [Pricing & Availability](#)
- ▶ [Search for Tooling](#)
- ▶ [View Mating Products \(9\)](#)
- ▶ [View Contacts \(33\)](#)
- ▶ [Product Feature Selector](#)
- ▶ [Contact Us About This Product](#)

[Add to My Part List](#) | 
 [Request Sample](#) | 
 [Find Similar Products](#) | 
 [Buy Product](#)

Documentation & Additional Information	
<p><b>Product Drawings:</b></p> <ul style="list-style-type: none"> <li>• <a href="#">PLUG, 10 CIRCUIT, MINI UNIVERSAL MATE-N-LOK(TM)</a> (PDF, English)</li> </ul> <p><b>Catalog Pages/Data Sheets:</b></p> <ul style="list-style-type: none"> <li>• <a href="#">1-1773458-0_MINI_UNIVERSAL_MATE_N_LOK_CONNECTOR_SYST...</a> (PDF, English)</li> <li>• <a href="#">SOFT_SHELL_PIN_AND_SOCKET_CONNECTORS_CATALOG</a> (PDF, English)</li> </ul> <p><b>Product Specifications:</b></p> <ul style="list-style-type: none"> <li>• <a href="#">Mini-Universal MATE-N-LOK* Splash Proof Seals</a> (PDF, English)</li> </ul> <p><b>Application Specifications:</b></p> <ul style="list-style-type: none"> <li>• <a href="#">Mini-Universal MATE-N-LOK Splash-Proof Sealed Connectors</a> (PDF, English)</li> </ul> <p><b>Instruction Sheets:</b></p> <ul style="list-style-type: none"> <li>• None Available</li> </ul> <p><b>CAD Files: (CAD Format &amp; Compression Information)</b></p> <ul style="list-style-type: none"> <li>• <a href="#">2D Drawing</a> (DXF, Version 0)</li> <li>• <a href="#">3D Model</a> (IGES, Version 0)</li> <li>• <a href="#">3D Model</a> (STEP, Version 0)</li> </ul>	<p><b>Additional Information:</b></p> <ul style="list-style-type: none"> <li>• <a href="#">Product Line Information</a></li> </ul> <p><b>Related Products:</b></p> <ul style="list-style-type: none"> <li>• <a href="#">Tooling</a></li> <li>• <a href="#">Mating Products (9)</a></li> <li>• <a href="#">Contacts (33)</a></li> </ul>

[List all Documents](#)

Product Features (Please use the Product Drawing for all design activity)	
<p><b>Product Type Features:</b></p> <ul style="list-style-type: none"> <li>• Product Line = Mini-Universal MATE-N-LOK Sealed</li> <li>• Product Type = Connector</li> <li>• Connector Type = Housing</li> <li>• Sealed = No</li> <li>• Strain Relief = Without</li> </ul> <p><b>Mechanical Attachment:</b></p> <ul style="list-style-type: none"> <li>• Contact Retention = Without</li> <li>• Mating Retention Type = Locking Latch</li> <li>• Panel Mount Retention = Without</li> </ul> <p><b>Electrical Characteristics:</b></p> <ul style="list-style-type: none"> <li>• Operating Voltage Reference = AC/DC</li> <li>• Operating Voltage (VAC) = 600</li> <li>• Operating Voltage (VDC) = 600</li> </ul> <p><b>Body Features:</b></p> <ul style="list-style-type: none"> <li>• Used With = Mini-Universal MATE-N-LOK Sealed Cap Housing</li> <li>• Mating Retention = With</li> <li>• Row-to-Row Spacing (mm [in]) = 4.14 [0.163]</li> <li>• Assembly Integration Feature = Without</li> </ul> <p><b>Contact Features:</b></p> <ul style="list-style-type: none"> <li>• Contact Type = Socket</li> </ul>	<p><b>Configuration Features:</b></p> <ul style="list-style-type: none"> <li>• Number of Rows = 2</li> <li>• Number of Positions = 10</li> </ul> <p><b>Industry Standards:</b></p> <ul style="list-style-type: none"> <li>• <a href="#">RoHS/ELV Compliance</a> = RoHS compliant, ELV compliant</li> <li>• <a href="#">Lead Free Solder Processes</a> = Not relevant for lead free process</li> <li>• RoHS/ELV Compliance History = Always was RoHS compliant</li> </ul> <p><b>Environmental:</b></p> <ul style="list-style-type: none"> <li>• Operating Temperature (°C [°F]) = -40 - +90 [-40 - +194]</li> </ul> <p><b>Conditions for Usage:</b></p> <ul style="list-style-type: none"> <li>• Applies To = Wire/Cable</li> <li>• Glow Wire Rating = Standard Part - Not Glow Wire</li> </ul> <p><b>Operation/Application:</b></p> <ul style="list-style-type: none"> <li>• Application Use = Wire-to-Wire</li> </ul> <p><b>Packaging Features:</b></p> <ul style="list-style-type: none"> <li>• Packaging Method = Package</li> <li>• Packaging Quantity = 1</li> </ul> <p><b>Other:</b></p> <ul style="list-style-type: none"> <li>• Brand = AMP</li> <li>• Comment = Use in conjunction with Interface Seal, Wire Seals</li> </ul>

- Contact Layout = Dual Row
- Shunts/Shorting Bars = Without
- Multiple Contact Types = Without

**Housing Features:**

- Connector Style = Plug
- Housing Material = Nylon 66/6
- Housing Color = Natural
- Mating Alignment = With
- Mating Alignment Type = Chamfered Edges
- Centerline (mm [in]) = 4.14 [0.163]
- UL Flammability Rating = UL 94V-0

and Cavity Plug Seals.

**Corporate Information**[About TE](#)[Investors](#)[News Room](#)[Supplier Portal](#)[Careers](#)[Terms & Conditions](#)[Privacy Policy](#)**Quick Links**[Distributor Inventory](#)[Product Cross Reference](#)[Documents & Drawings](#)[Product Compliance Support Center](#)[Site Map](#)**Customer Support**[Email or Chat With Us](#)[Find a Phone Number](#)[Knowledge Base](#)[Manage Your Account](#)**Keep Me Informed**

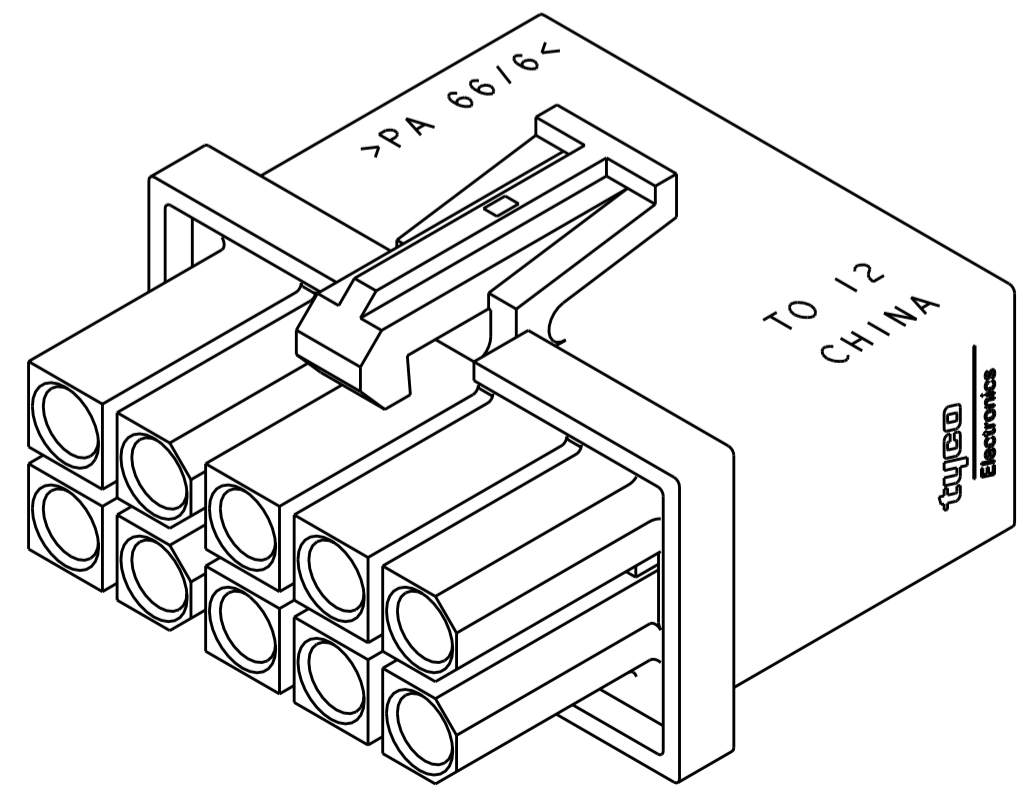
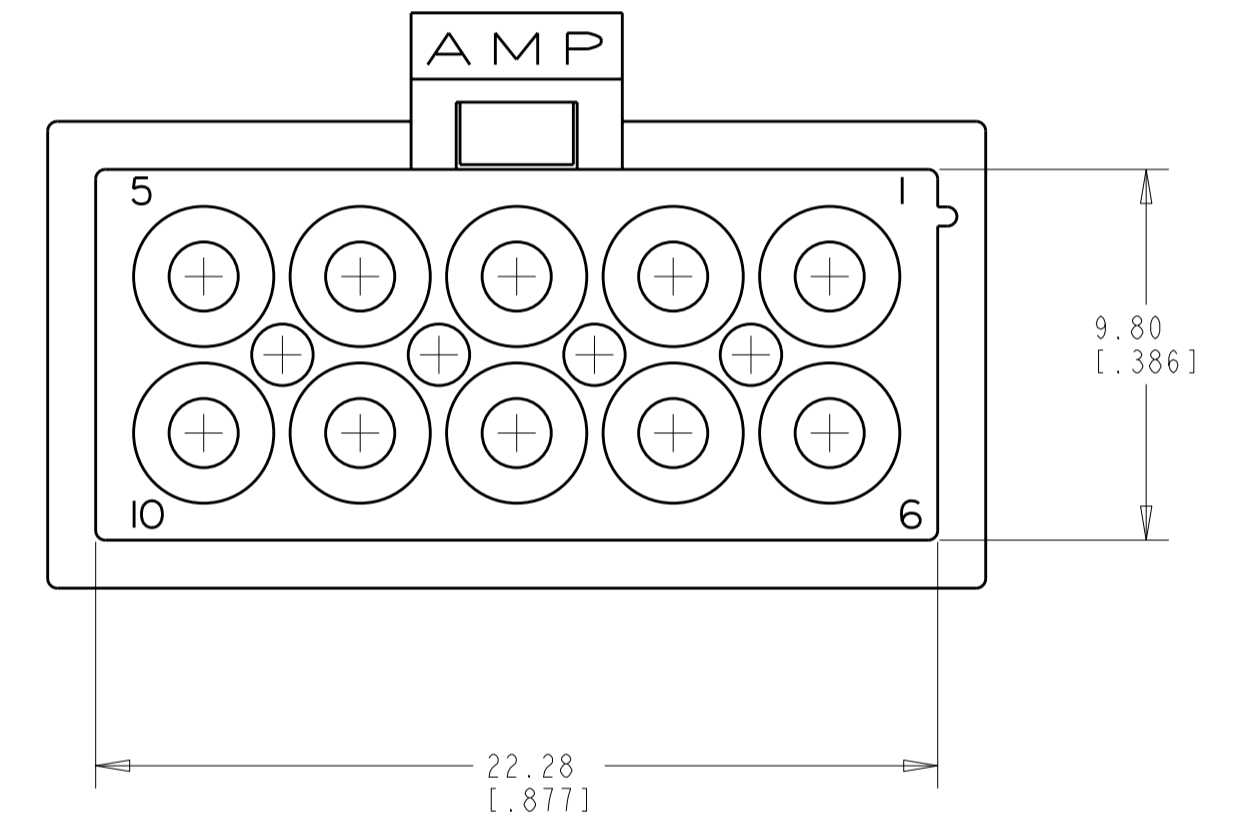
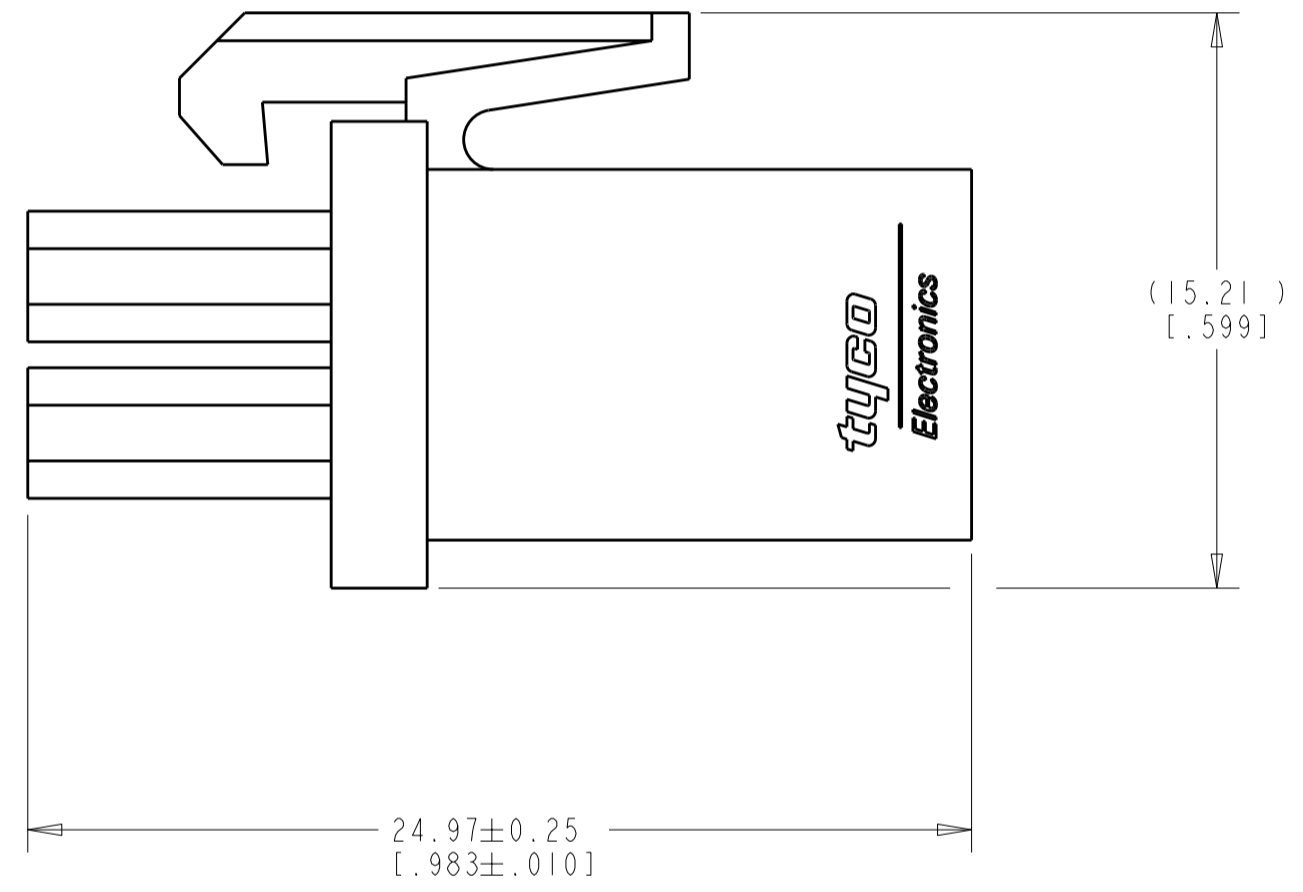
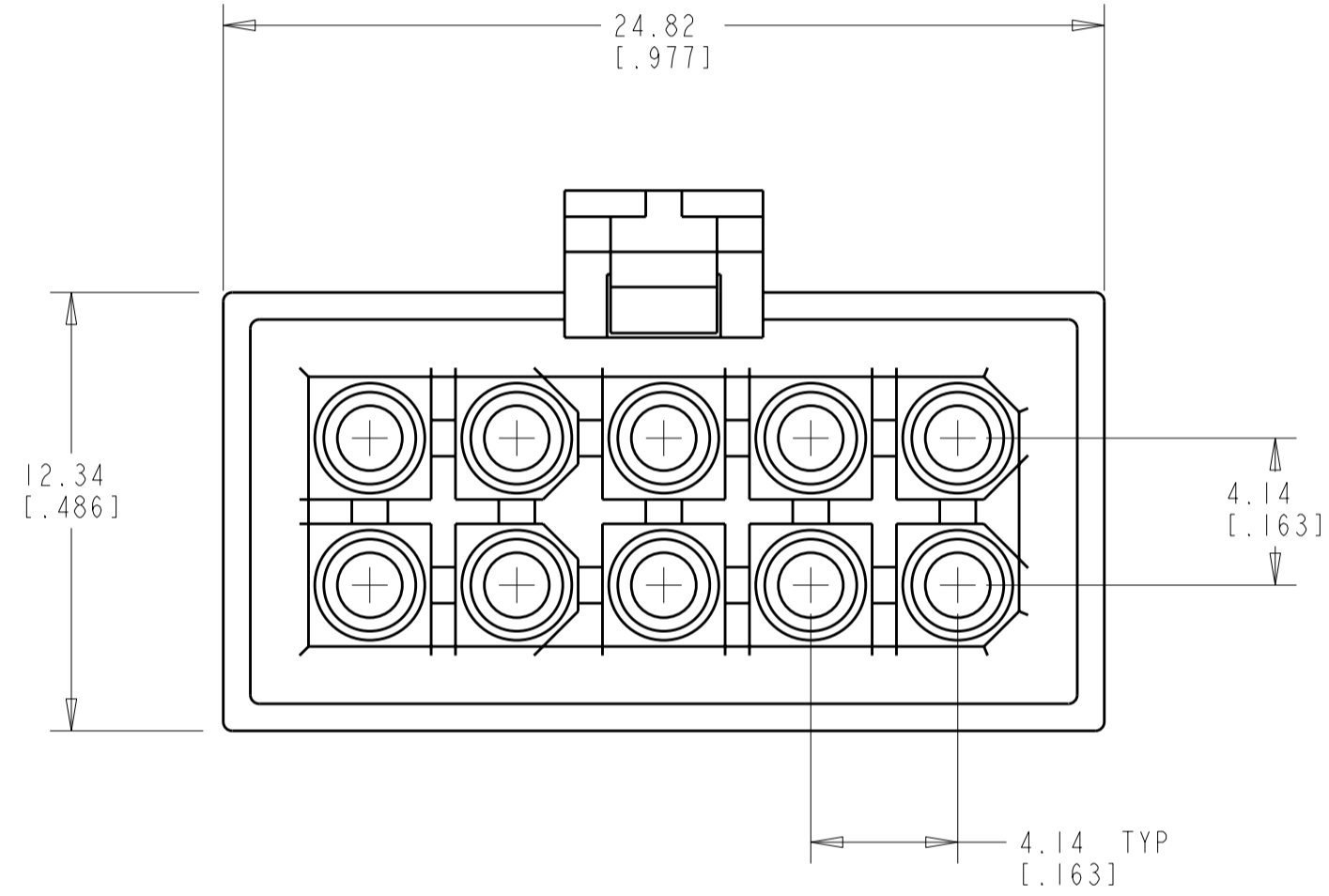
© 2013 Tyco Electronics Corporation, a TE Connectivity Ltd. company. All Rights Reserved |

[Provide Website Feedback](#)

THIS DRAWING IS UNPUBLISHED. RELEASED FOR PUBLICATION 20  
 © COPYRIGHT 20 BY TYCO ELECTRONICS CORPORATION. ALL RIGHTS RESERVED.

LOC	DIST	REVISIONS			
P	LTR	DESCRIPTION	DATE	DWN	APVD
CM	00				
	A	REVISED PER 063B-0251-04	22JUNE04	KW	DC
	B	REVISED PER ECO-05-014359	21APR06	KW	CJ

1. DIMENSIONS IN BRACKETS ARE IN INCHES.



3 DIMENSIONAL MODEL  
SCALE 4:1

**METRIC**

<small>THIS DRAWING IS A CONTROLLED DOCUMENT FOR TYCO ELECTRONICS CORPORATION. IT IS SUBJECT TO CHANGE AND THE CONTROLLING ENGINEERING ORGANIZATION SHOULD BE CONTACTED FOR THE LATEST REVISION.</small>		DWN K. WHITAKER	10MAY2000	<b>AMP</b> Tyco Electronics Harrisburg, PA 17105-3608
DIMENSIONS: mm [ INCHES ]		CHK K. COBLE	10MAY2000	
		APVD K. COBLE	10MAY2000	
TOLERANCES UNLESS OTHERWISE SPECIFIED: 0 PLC ±- 1 PLC ±- 2 PLC ±013[.005] 3 PLC ±- 4 PLC ±- ANGLES ±0°30'		PRODUCT SPEC		
MATERIAL NYLON, UL94V-0, WHITE		APPLICATION SPEC		NAME PLUG, 10 CIRCUIT, MINI UNIVERSAL MATE-N-LOK(TM)
		WEIGHT		SIZE A2
		CUSTOMER DRAWING		CAGE CODE 00779
				DRAWING NO 794781
				RESTRICTED TO -
				SCALE 5:1 SHEET 1 OF 1 REV B

794781

794781-1  
PART NUMBER