



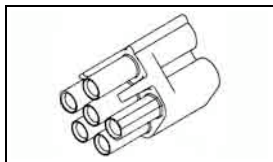
**Have a Question?**  
 Chat with a Product Information Specialist

What can we help you find?

[Products](#) [Industries](#) [Resources](#) [About TE](#) [My Account](#) [Innovation](#) [Support Center](#)

**794911-1 Product Details**

[Share](#) [Print](#) [Email](#)



**794911-1**

TE Internal Number: 794911-1

Active

[View 3D PDF](#)

**Circular (Universal MATE-N-LOK)**

Always EU RoHS/ELV Compliant (Statement of Compliance)

**Product Highlights:**

- Housing
- Connector Style = Plug
- 6 Positions
- Circular Contact Layout
- RoHS compliant, ELV compliant

[View all Features](#)

**Quick Links**

- ▶ [Pricing & Availability](#)
- ▶ [Search for Tooling](#)
- ▶ [View Mating Products \(1\)](#)
- ▶ [Product Feature Selector](#)
- ▶ [Contact Us About This Product](#)

[Add to My Part List](#) [Request Sample](#) [Find Similar Products](#) [Buy Product](#)

Documentation & Additional Information	
<p><b>Product Drawings:</b></p> <ul style="list-style-type: none"> <li>• <a href="#">PLUG, CIRCULAR, 6 CIRCUIT, UNIVERSAL MATE-N-LOK(TM)</a> (PDF, English)</li> </ul> <p><b>Catalog Pages/Data Sheets:</b></p> <ul style="list-style-type: none"> <li>• <a href="#">SOFT_SHELL_PIN_SOCKET_CONNECTORS_STANDARD_DENSITY</a> (PDF, English)</li> </ul> <p><b>Product Specifications:</b></p> <ul style="list-style-type: none"> <li>• None Available</li> </ul> <p><b>Application Specifications:</b></p> <ul style="list-style-type: none"> <li>• None Available</li> </ul> <p><b>Instruction Sheets:</b></p> <ul style="list-style-type: none"> <li>• None Available</li> </ul> <p><b>CAD Files:</b> (<a href="#">CAD Format &amp; Compression Information</a>)</p> <ul style="list-style-type: none"> <li>• <a href="#">2D Drawing</a> (DXF, Version A1)</li> <li>• <a href="#">3D Model</a> (IGES, Version A1)</li> <li>• <a href="#">3D Model</a> (STEP, Version A1)</li> </ul>	<p><b>Additional Information:</b></p> <ul style="list-style-type: none"> <li>• <a href="#">Product Line Information</a></li> </ul> <p><b>Related Products:</b></p> <ul style="list-style-type: none"> <li>• <a href="#">Tooling</a></li> <li>• <a href="#">Mating Products (1)</a></li> </ul>

[List all Documents](#)

Product Features (Please use the Product Drawing for all design activity)	
<p><b>Product Type Features:</b></p> <ul style="list-style-type: none"> <li>• Connector Type = Housing</li> </ul> <p><b>Mechanical Attachment:</b></p> <ul style="list-style-type: none"> <li>• Mount = Free Hanging</li> </ul> <p><b>Electrical Characteristics:</b></p> <ul style="list-style-type: none"> <li>• Voltage (VAC) = 600</li> <li>• Current Rating (A) = 20</li> </ul> <p><b>Body Features:</b></p> <ul style="list-style-type: none"> <li>• Polarized = Yes</li> </ul> <p><b>Contact Features:</b></p> <ul style="list-style-type: none"> <li>• Contact Layout = Circular</li> </ul>	<p><b>Housing Features:</b></p> <ul style="list-style-type: none"> <li>• Connector Style = Plug</li> <li>• Housing Material = Nylon - GF</li> <li>• Housing Color = Natural</li> </ul> <p><b>Configuration Features:</b></p> <ul style="list-style-type: none"> <li>• Number of Positions = 6</li> </ul> <p><b>Industry Standards:</b></p> <ul style="list-style-type: none"> <li>• <a href="#">RoHS/ELV Compliance</a> = RoHS compliant, ELV compliant</li> <li>• <a href="#">Lead Free Solder Processes</a> = Not relevant for lead free process</li> <li>• RoHS/ELV Compliance History = Always was RoHS compliant</li> <li>• UL Flammability Rating = UL 94V-0, UL 94V-2</li> </ul> <p><b>Other:</b></p> <ul style="list-style-type: none"> <li>• Brand = AMP</li> <li>• Comment = Uses standard MATE-N-LOK contacts.; AC or DC Current; Will pass through 7/8 inch knockout.</li> </ul>

**Corporate Information**

- [About TE](#)
- [Investors](#)
- [News Room](#)

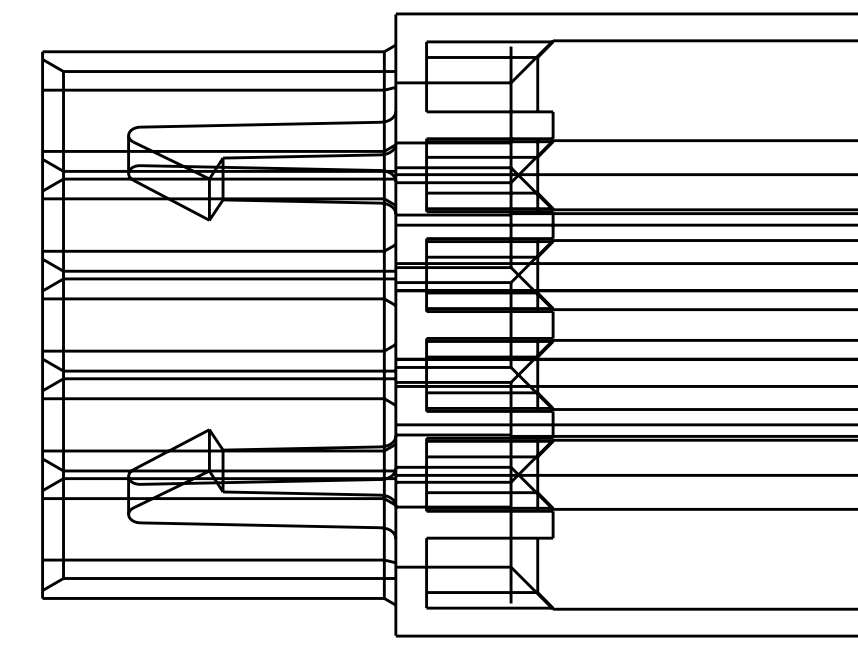
**Quick Links**

- [Distributor Inventory](#)
- [Product Cross Reference](#)
- [Documents & Drawings](#)

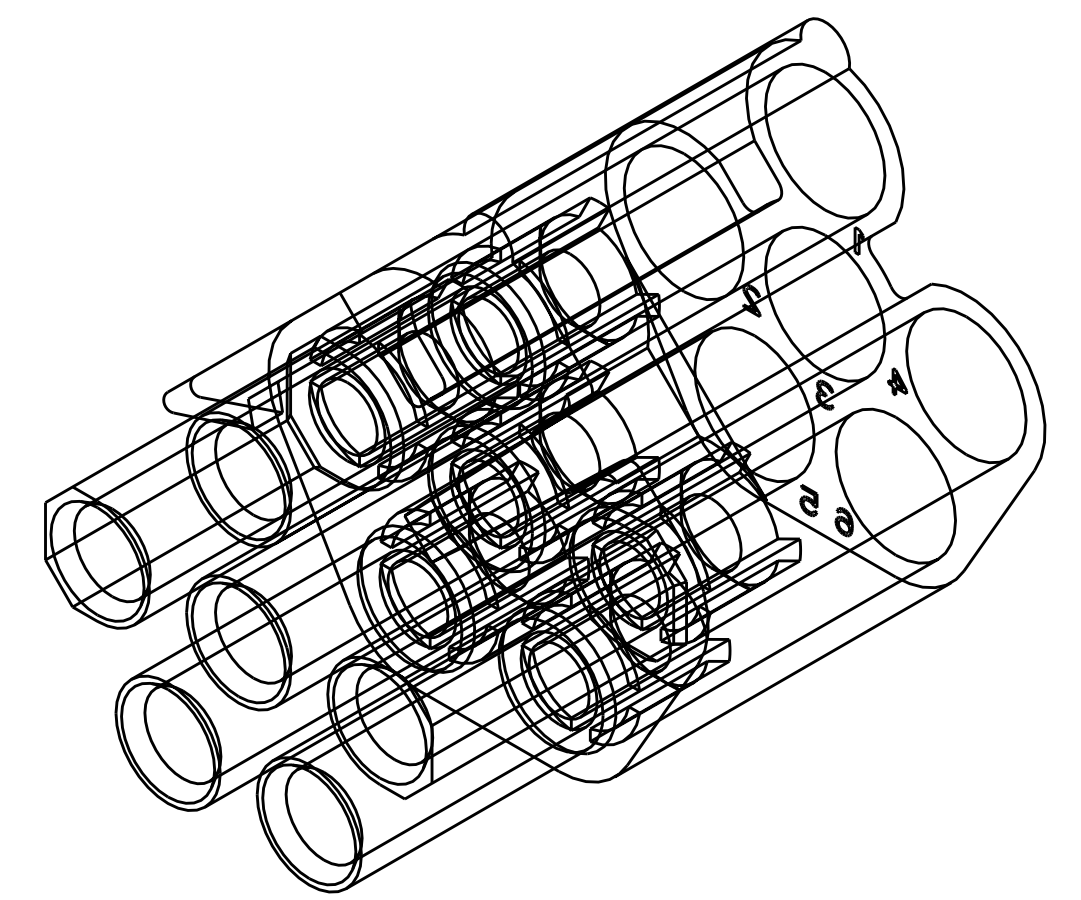
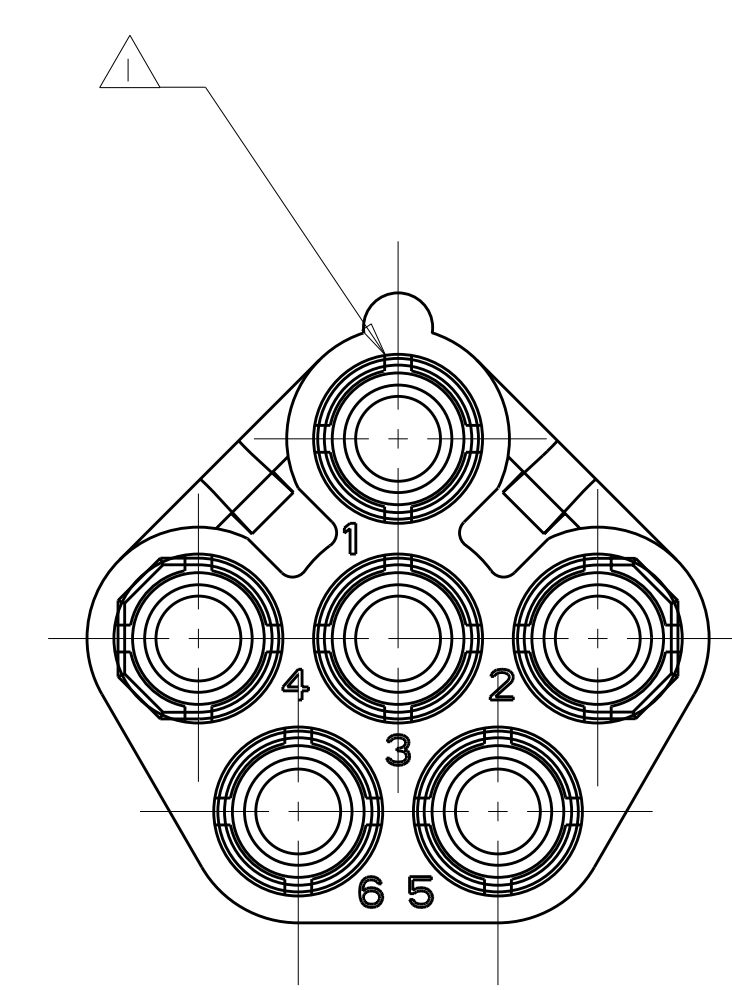
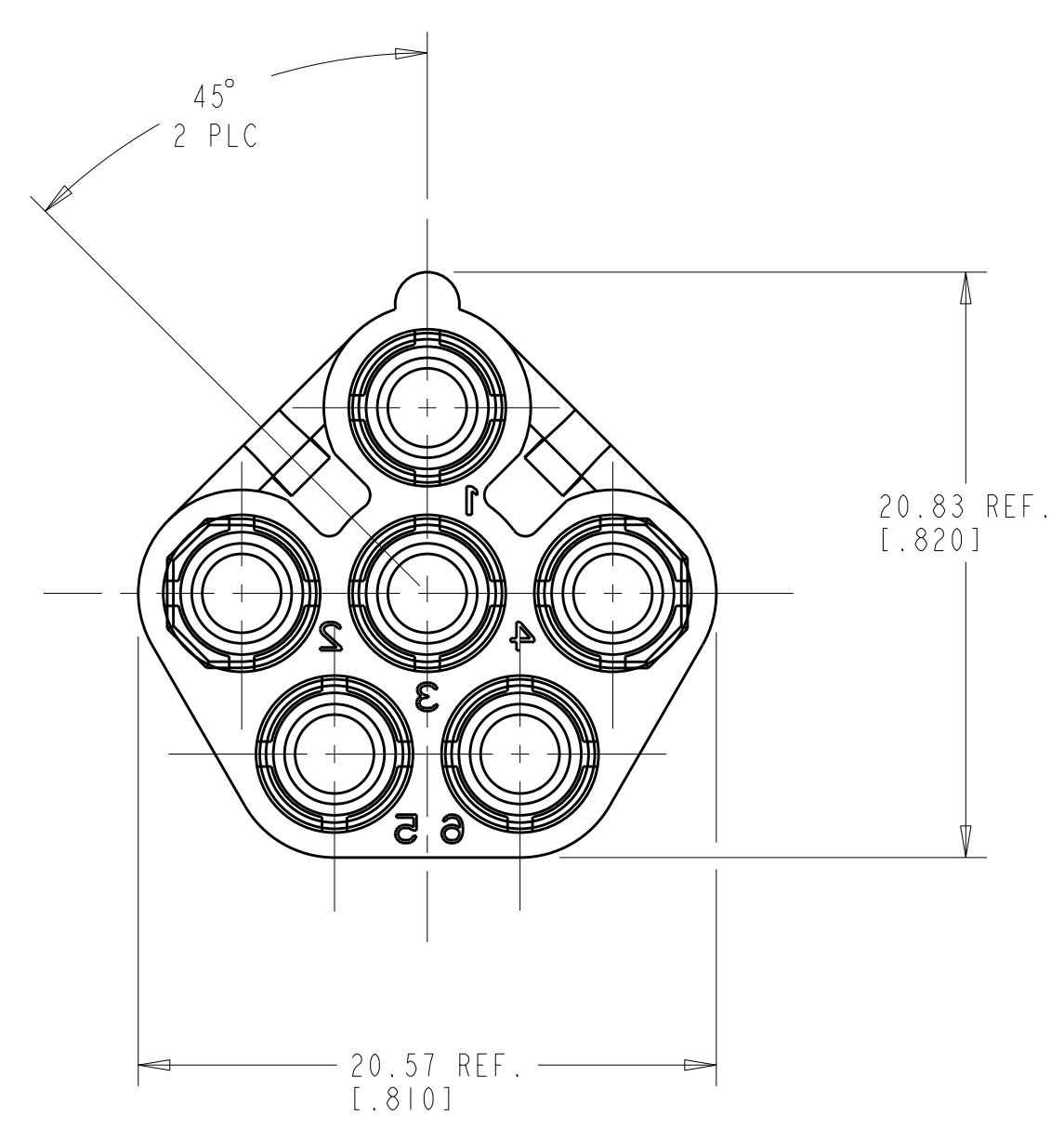
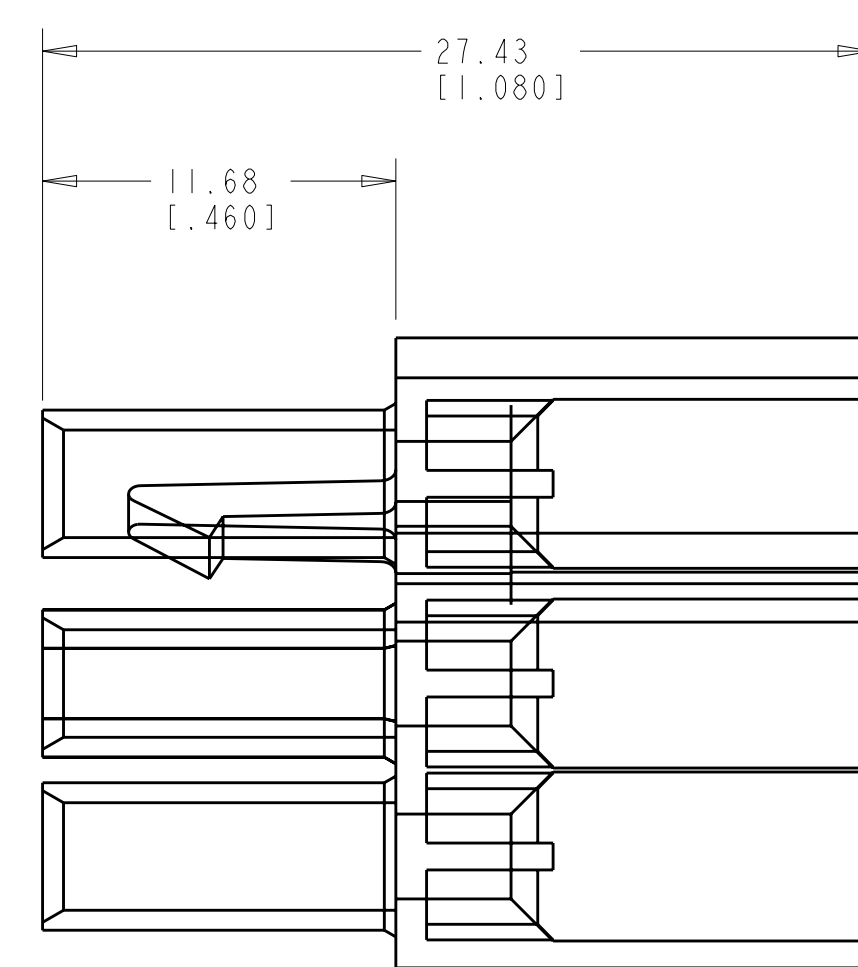
**Customer Support**

- [Email or Chat With Us](#)
- [Find a Phone Number](#)
- [Knowledge Base](#)

LOC	DIST	REVISIONS					
CM	00	P	LTR	DESCRIPTION	DATE	DWN	APVD
		A		REVISED PER 063B-0550-01	02-OCT-01	KW	SR
		A1		REVISED PER ECO-07-001375	18JAN2007	KW	DC



△ FOUR RIBS EQUALLY SPACED, NO SPECIFIC ORIENTATION.



3-DIMENSIONAL MODEL  
SCALE 4:1

VOLUME	COLOR	PART NUMBER
0.172 IN <sup>3</sup>	BLACK	794911-9
0.172 IN <sup>3</sup>	GRAY	794911-8
0.172 IN <sup>3</sup>	BROWN	794911-7
0.172 IN <sup>3</sup>	BLUE	794911-6
0.172 IN <sup>3</sup>	GREEN	794911-5
0.172 IN <sup>3</sup>	YELLOW	794911-4
0.172 IN <sup>3</sup>	ORANGE	794911-3
0.172 IN <sup>3</sup>	RED	794911-2
0.172 IN <sup>3</sup>	NATURAL	794911-1

**METRIC**

DIMENSIONS: mm 		TOLERANCES UNLESS OTHERWISE SPECIFIED: 9 PLC ± 1 PLC ± 2 PLC ±0.13(.005) 3 PLC ± 4 PLC ± ANGLES ±30° FINISH -		DWN R. WHITAKER 23-MAR-2001 CHK S. RIDGILL 23-MAR-2001 APVD S. RIDGILL 23-MAR-2001 NAME PRODUCT SPEC APPLICATION SPEC WEIGHT CUSTOMER DRAWING		Tyco Electronics Harrisburg, PA 17105-3608 PLUG, CIRCULAR, 6 CIRCUIT, UNIVERSAL MATE-N-LOK(TM) SIZE CAGE CODE DRAWING NO. RESTRICTED TO A1 00779 C=794911 SCALE 4:1 SHEET 1 OF 1 REV A1	
-----------------------	--	--	--	--	--	--	--