

Circular Universal MATE-N-LOK Connector

DESCRIPTION

- Unique product designed to accommodate the specific needs of the lighting industry
- Circular design allows the connector to pass through 7/8 inch knock-out holes in electrical fixtures and boxes
- 6-position accommodates most major electrical industry requirements
- Universal MATE-N-LOK connector centerline spacing maintains UL, CSA and VDE (pending) approvals

APPLICATIONS

- Primary applications are in the Lighting, Vending, and Appliance industries
- Applications where use of a completed harness that will pass through a 7/8 inch knock-out is required
- Provides the capability to quickly disconnect individual fixtures from sensitive environmental areas and perform maintenance at other sites
- Not for interrupting current

KEY FEATURES

- Uses standard Universal MATE-N-LOK contacts and application tooling
- Positive polarized housing helps prevent incorrect mating

ELECTRICAL

- Voltage: 600 VAC or DC
- Current: 20 amps maximum per UL-1977 (6 position, fully energized)
- Dielectric Withstanding Voltage: 5,000 kvac or kvdc
- Insulation Resistance: 1000 M Ω max. between adjacent circuits

MECHANICAL

- Durability: 50 cycles mating and unmating
- Contact Retention: 15 lb. minimum per contact

MATERIALS

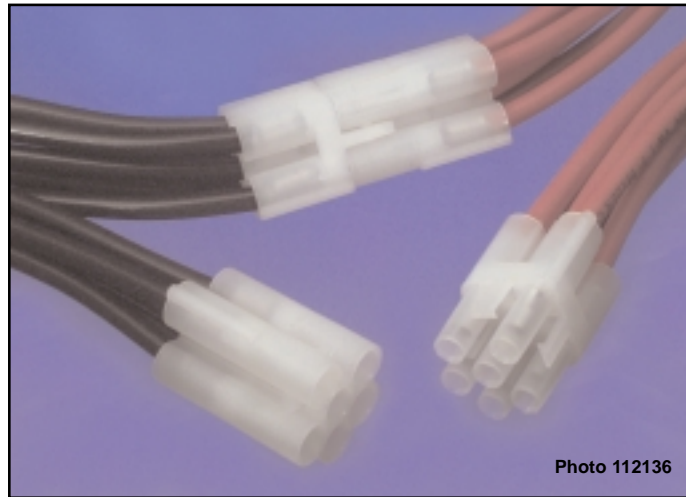
- Housings: Nylon, UL 94V-0 or UL 94V-2 rated
- Contacts: Brass
- Plating: Pre-plated Tin or Duplex Gold

FOR MORE INFORMATION

Paul Dodge, Product Manager
Phone: 336-664-7662
Fax: 336-664-7697
E-mail: paul_dodge@tycoelectronics.com

Scott Ridgill, Product Engineer
Phone: 336-664-7509
Fax: 336-664-7697
E-mail: sridgill@tycoelectronics.com

Issued 11/01 1309225



new product

Circular Universal MATE-N-LOK Connector

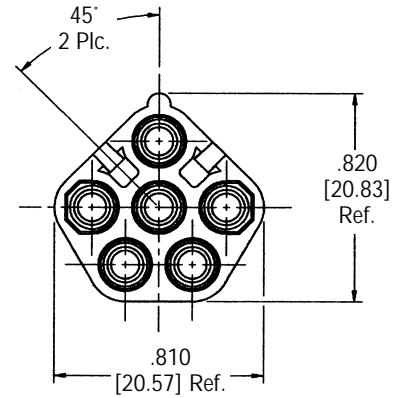
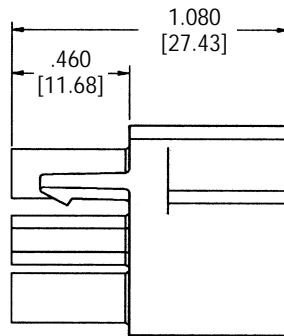
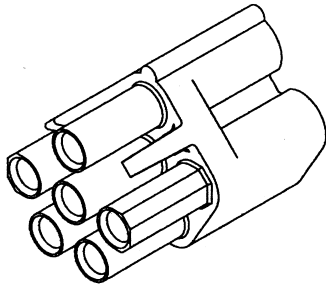
STANDARDS & SPECS

- Design Objective: 108-2069 (Circular Universal MATE-N-LOK Connector)
- Application Specification: 114-1010 (Universal MATE-N-LOK Connectors)

PRODUCT DIMENSIONS

Plug

Part No. 794911-1



Cap

Part No. 794912-1

