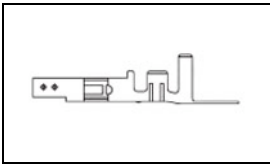


794956-2 Product Details

[Share](#) [Print](#) [Email](#)



794956-2

TE Internal Number: 794956-2

Active

[View 3D PDF](#)

VAL-U-LOK Series Connector System

Always EU RoHS/ELV Compliant (Statement of Compliance)

Product Highlights:

- Wire-to-Board, Wire-to-Board / Wire-to-Wire, Wire-to-Wire
- Applies To Wire/Cable
- Contact
- Glow Wire Rating = Standard Part - Not Glow Wire
- Contact Type = Socket

[View all Features](#)

Quick Links

- ▶ [Pricing & Availability](#)
- ▶ [Search for Tooling](#)
- ▶ [Product Feature Selector](#)
- ▶ [Contact Us About This Product](#)

[Add to My Part List](#) [Request Sample](#) [Find Similar Products](#) [Buy Product](#)

Documentation & Additional Information

Product Drawings:

- [TERMINAL SOCKET VAL-U-LOK \(TM\)](#) (PDF, English)

Catalog Pages/Data Sheets:

- [SOFT_SHELL_PIN_AND_SOCKET_CONNECTORS_CATALOG](#) (PDF, English)

Product Specifications:

- [VAL-U-LOK Connectors](#) (PDF, English)

Application Specifications:

- [VAL-U-LOK Series Headers and Connectors](#) (PDF, English)

Instruction Sheets:

- None Available

CAD Files: (CAD Format & Compression Information)

- [2D Drawing](#) (DXF, Version G)
- [3D Model](#) (IGES, Version G)
- [3D Model](#) (STEP, Version G)

[List all Documents](#)

Related Products:

- [Tooling](#)

Product Features (Please use the Product Drawing for all design activity)

Product Type Features:

- Product Type = Contact
- Termination Method to Wire/Cable = Crimp
- Strain Relief = With
- UL File Number = E28476
- CSA File Number = 208567

Electrical Characteristics:

- Contact Current Rating, Max. (A) = 9
- Operating Voltage Reference = AC
- Operating Voltage (VAC) = 600

Termination Features:

- Wire/Cable Size (AWG) = 18 - 24
- Wire/Cable Size (mm²) = 0.2 - 0.8

Dimensions:

- Length (X-Axis) (mm [in]) = 14.55 [0.573]

Body Features:

- Strain Relief Type = Insulation Crimp

Contact Features:

- Contact Type = Socket
- Contact Base Material = Brass
- Contact Plating, Mating Area, Material = Gold
- Contact Plating, Mating Area, Thickness (µm [µin]) = 0.76 [29.92]
- Contact Design = Single Beam

Industry Standards:

- [RoHS/ELV Compliance](#) = RoHS compliant, ELV compliant
- [Lead Free Solder Processes](#) = Not relevant for lead free process
- RoHS/ELV Compliance History = Always was RoHS compliant
- Agency/Standard = UL, CSA
- UL Rating = Recognized

Environmental:

- Operating Temperature (°C [°F]) = -40 - +105 [-40 - +221]

Conditions for Usage:

- Applies To = Wire/Cable
- Glow Wire Rating = Standard Part - Not Glow Wire

Operation/Application:

- Application Use = Wire-to-Board, Wire-to-Board / Wire-to-Wire, Wire-to-Wire
- Contact Transmits (Typical Application) = Signal (Data)

Packaging Features:

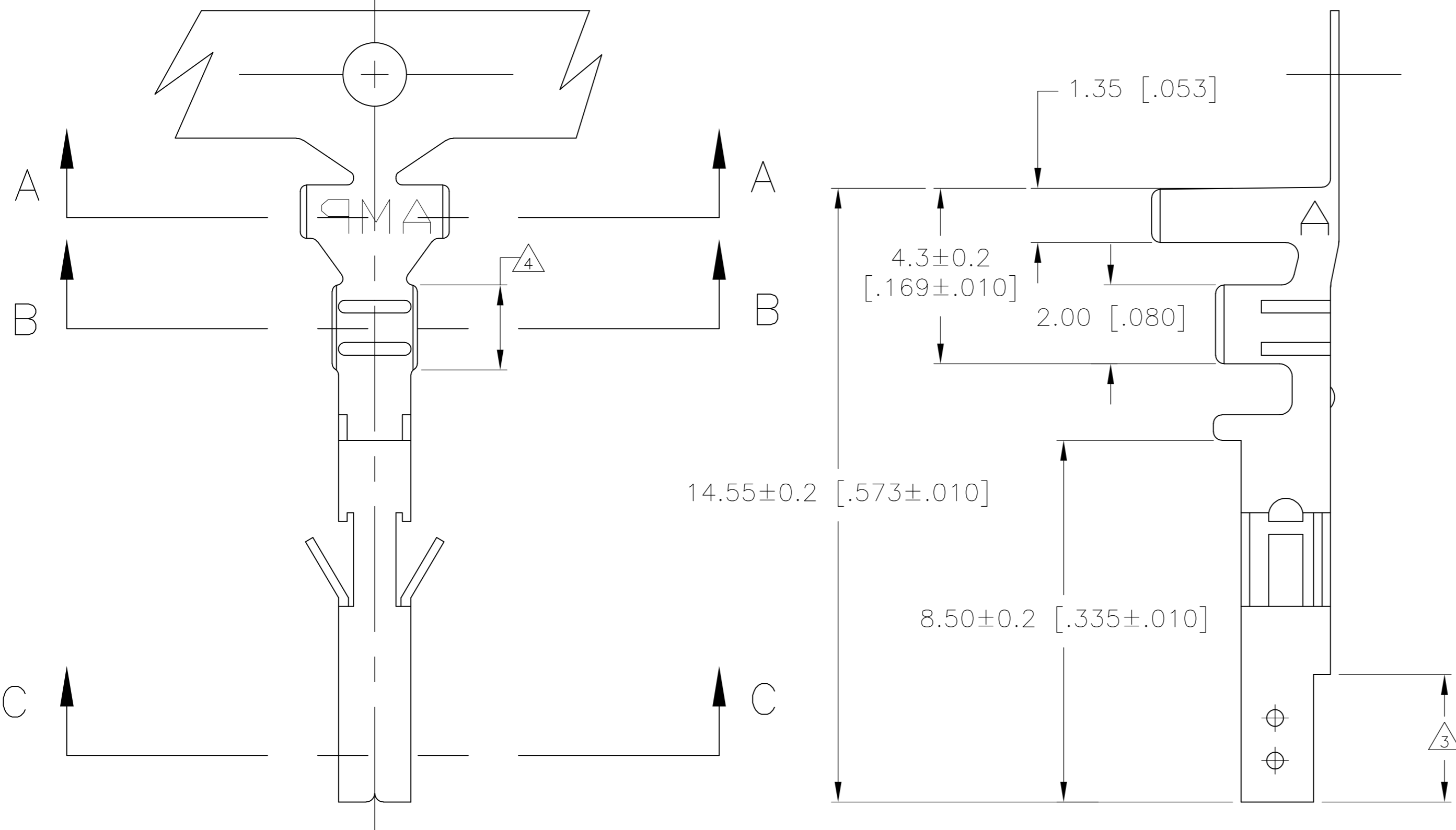
- Packaging Method = Strip

Other:

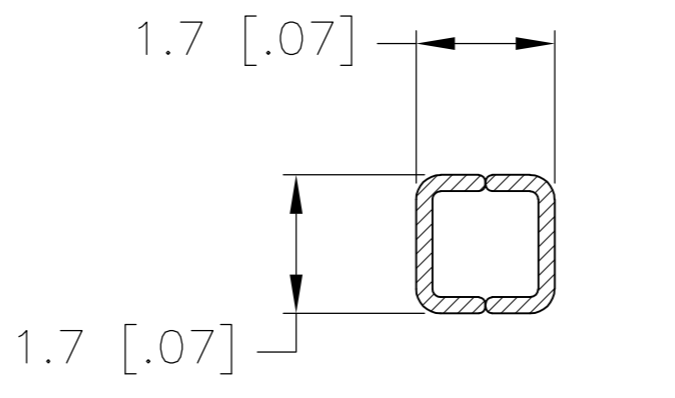
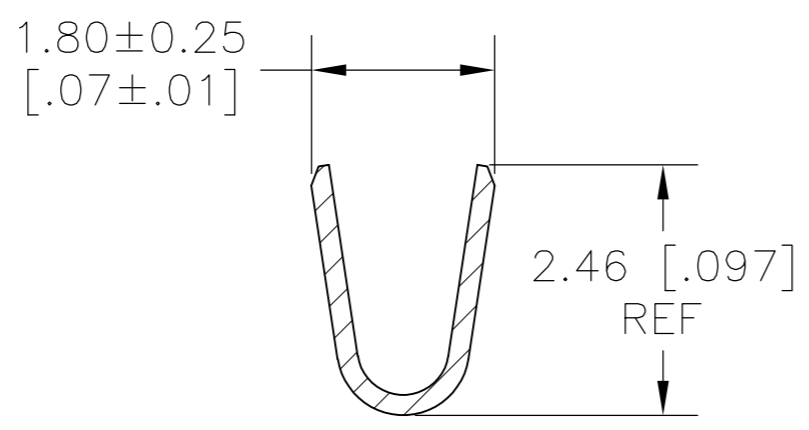
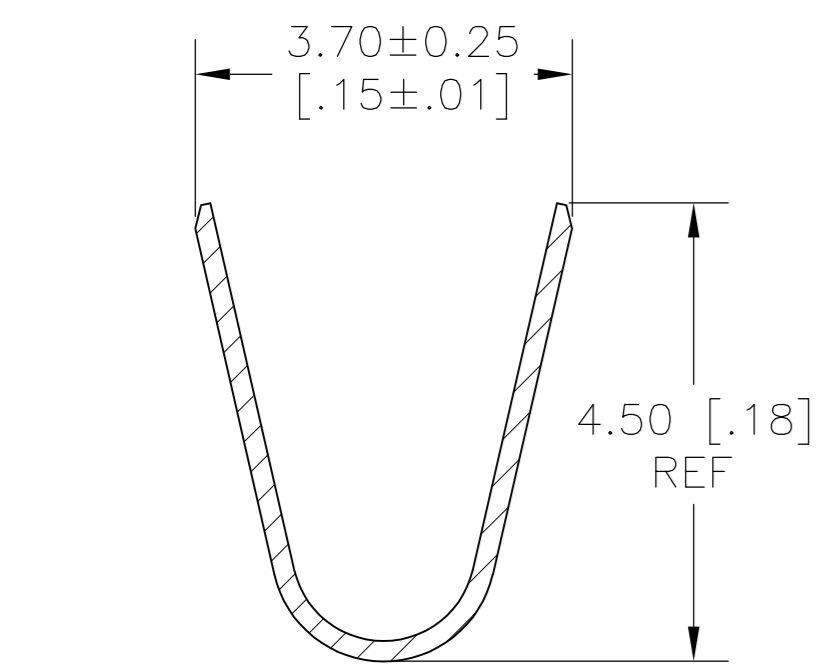
- Brand = AMP

THIS DRAWING IS UNPUBLISHED. RELEASED FOR PUBLICATION
 © COPYRIGHT - By - ALL RIGHTS RESERVED.

LOC	DIST	REVISIONS					
		P	LTR	DESCRIPTION	DATE	DWN	APVD
CM	00		H5	REVISED PER ECR 13-011079	11JUL13	JR	KR



- 1 WIRE RANGE: 0.3-0.82mm² (22-18 AWG).
- 2 INSULATION RANGE: 1.50 - 3.10 DIA.
- 3 FINISH: 0.76µm MIN GOLD OVER 1.27µm MIN NICKEL REQUIRED ON INNER SURFACE, PERMITTED ON OUTER SURFACE.
- 4 FINISH: 2.54µm MIN PRE-TIN ON ALL SURFACES IN THIS AREA.
- 5 FINISH: 2.54µm MINIMUM PRE-TIN ALL OVER.

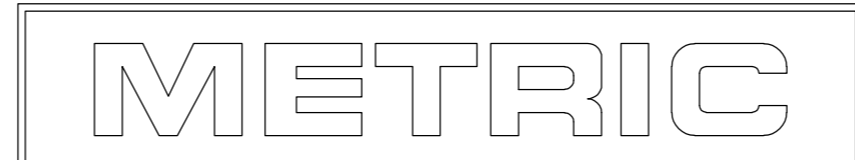


SECTION B-B

SECTION C-C

SECTION A-A

LUBRICANT	794956-1	794956-5
GOLD $\triangle_3 \triangle_4$	PHOS. BRZ.	794956-4
PRE-TIN \triangle_5	PHOS. BRZ.	794956-3
GOLD $\triangle_3 \triangle_4$	BRASS	794956-2
PRE-TIN \triangle_5	BRASS	794956-1
FINISH:	MATERIAL:	PART NO.



THIS DRAWING IS A CONTROLLED DOCUMENT.

DWN: S. HAMM 10-SEP-2001
 CHK: D. COLEY 10-SEP-2001
 APVD: D. COLEY 10-SEP-2001

TE Connectivity

NAME: D. COLEY
 PRODUCT SPEC: VAL-U-LOK (TM)

APPLICATION SPEC: _____

WEIGHT: _____

CUSTOMER DRAWING

SCALE: NTS SHEET 1 of 1 REV H5

RESTRICTED TO: _____