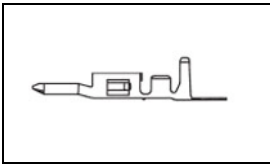


## 794957-1 Product Details

[Share](#) [Print](#) [Email](#)



**794957-1**

TE Internal Number: 794957-1  
 Active

[View 3D PDF](#)

### VAL-U-LOK Series Connector System

Always EU RoHS/ELV Compliant (Statement of Compliance)

#### Product Highlights:

- Wire-to-Wire
- Applies To Wire/Cable
- Contact
- Glow Wire Rating = Standard Part - Not Glow Wire
- Contact Type = Pin

[View all Features](#)

### Quick Links

- ▶ [Pricing & Availability](#)
- ▶ [Search for Tooling](#)
- ▶ [Product Feature Selector](#)
- ▶ [Contact Us About This Product](#)

[Add to My Part List](#) [Request Sample](#) [Find Similar Products](#) [Buy Product](#)

### Documentation & Additional Information

#### Product Drawings:

- [TERMINAL PIN VAL-U-LOK\(TM\)](#) (PDF, English)

#### Catalog Pages/Data Sheets:

- [SOFT\\_SHELL\\_PIN\\_AND\\_SOCKET\\_CONNECTORS\\_CATALOG](#) (PDF, English)

#### Product Specifications:

- [VAL-U-LOK Connectors](#) (PDF, English)

#### Application Specifications:

- [VAL-U-LOK Series Headers, Connectors and TPA Accessories](#) (PDF, English)

#### Instruction Sheets:

- None Available

#### CAD Files: [\(CAD Format & Compression Information\)](#)

- [2D Drawing](#) (DXF, Version E)
- [3D Model](#) (IGES, Version E)
- [3D Model](#) (STEP, Version E)

[List all Documents](#)

#### Related Products:

- [Tooling](#)

### Product Features (Please use the Product Drawing for all design activity)

#### Product Type Features:

- Product Type = Contact
- CSA File Number = 208567

#### Electrical Characteristics:

- Contact Current Rating, Max. (A) = 9
- Operating Voltage Reference = AC
- Operating Voltage (VAC) = 600

#### Termination Features:

- Wire/Cable Size (AWG) = 22 - 26
- Wire/Cable Size (mm<sup>2</sup>) = 0.13 - 0.32
- Termination Method to Wire/Cable = Crimp

#### Dimensions:

- Length (X-Axis) (mm [in]) = 16.80 [0.6614]

#### Body Features:

- Strain Relief Type = Insulation Crimp

#### Contact Features:

- Contact Type = Pin
- Contact Base Material = Brass
- Contact Plating, Mating Area, Material = Pre-Tin
- Contact Plating, Mating Area, Thickness (µm [µin]) = 2.54 [100]
- Contact Design = Formed Pin

#### Configuration Features:

- Strain Relief = With

#### Industry Standards:

- [RoHS/ELV Compliance](#) = RoHS compliant, ELV compliant
- [Lead Free Solder Processes](#) = Not relevant for lead free process
- RoHS/ELV Compliance History = Always was RoHS compliant
- Agency/Standard = CSA, UL
- UL Rating = Recognized
- UL File Number = E28476

#### Environmental:

- Operating Temperature (°C [°F]) = -40 - +105 [-40 - +221]

#### Conditions for Usage:

- Applies To = Wire/Cable
- Glow Wire Rating = Standard Part - Not Glow Wire

#### Operation/Application:

- Application Use = Wire-to-Wire
- Contact Transmits (Typical Application) = Signal (Data)

#### Packaging Features:

- Packaging Method = Strip

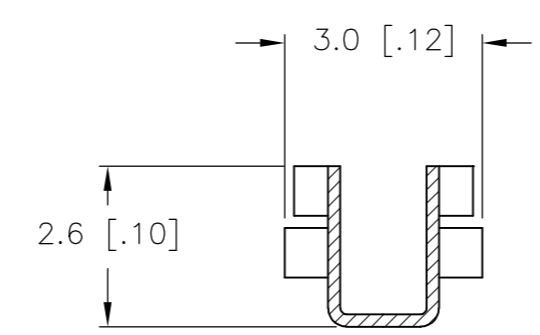
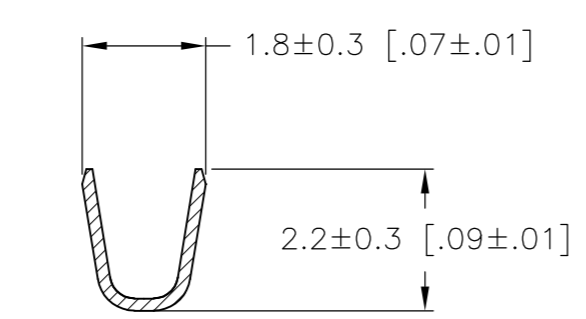
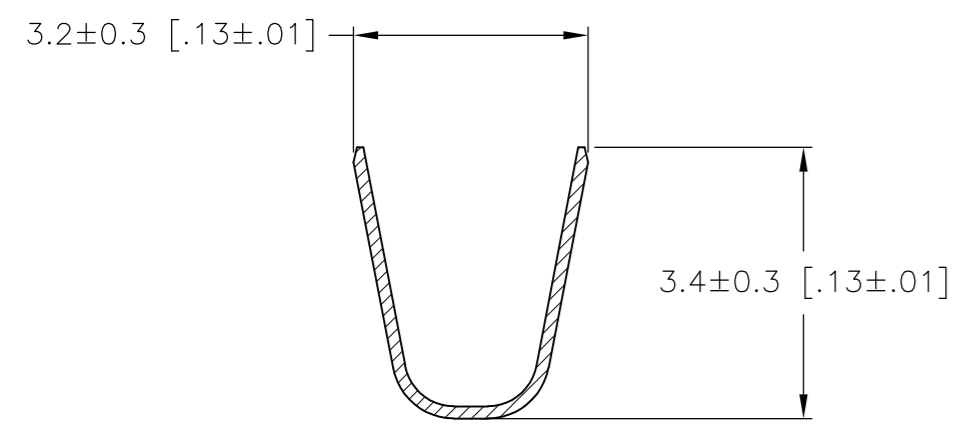
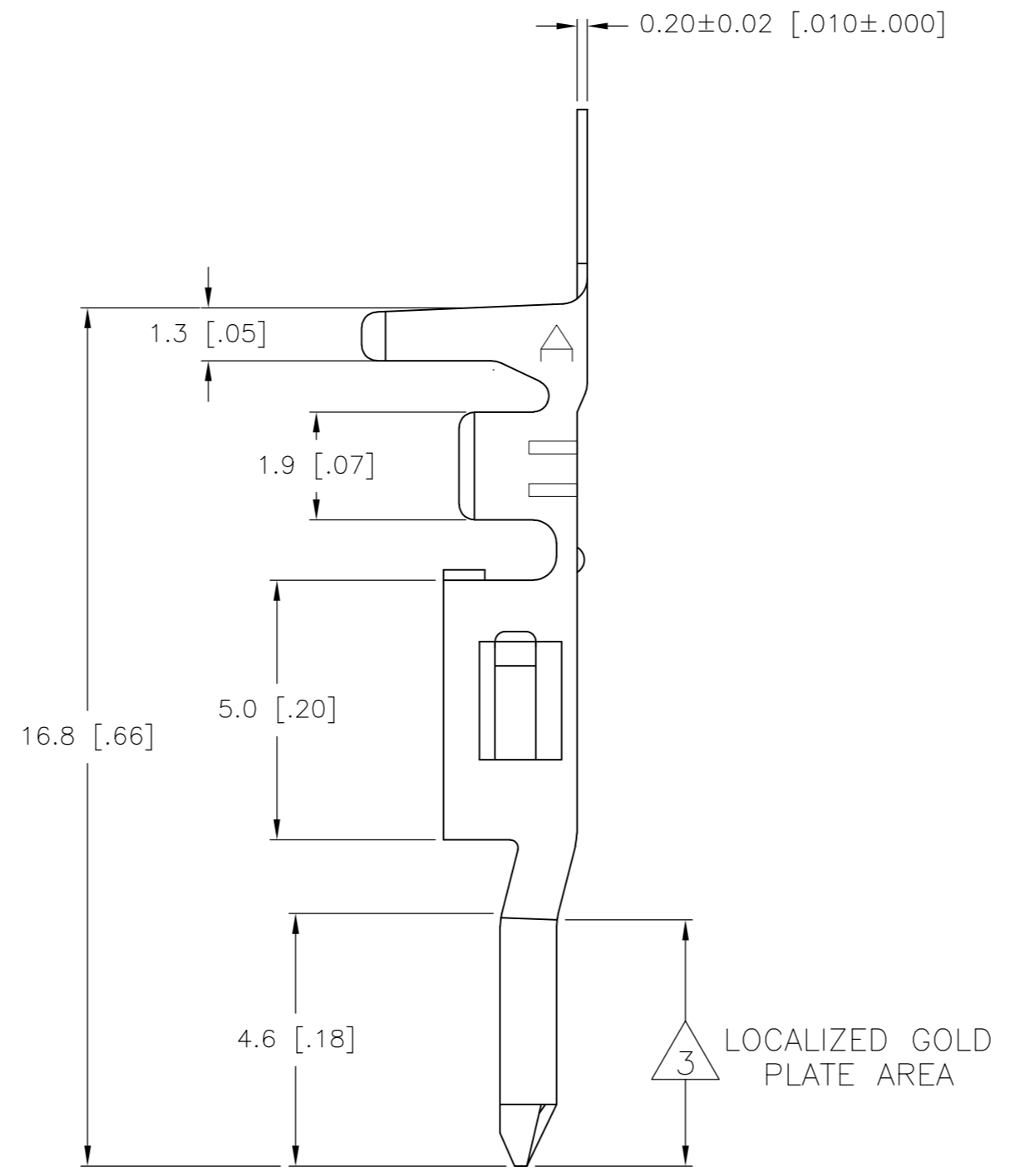
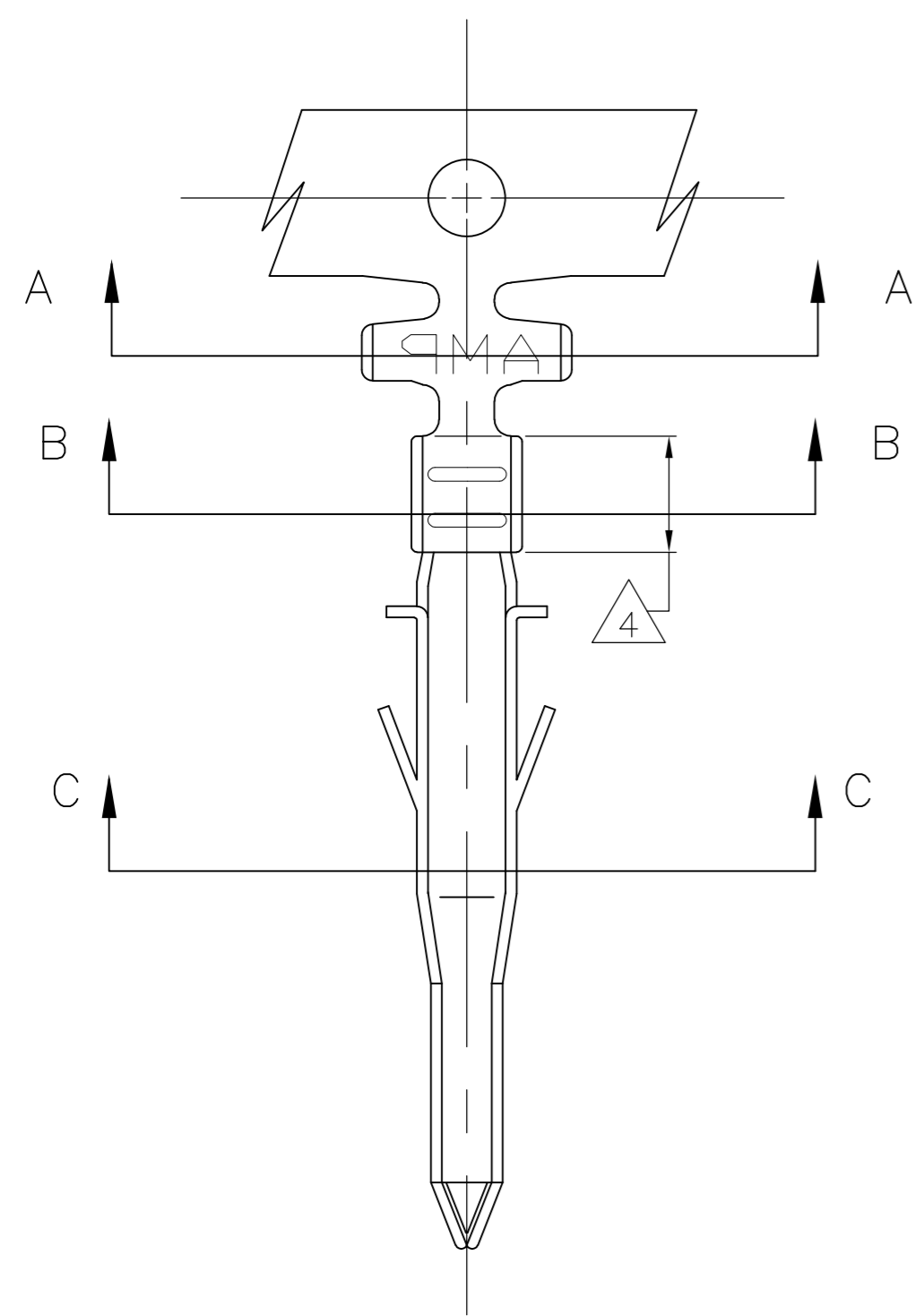
#### Other:

- Brand = AMP

THIS DRAWING IS UNPUBLISHED. RELEASED FOR PUBLICATION  
 © COPYRIGHT - By - ALL RIGHTS RESERVED.

LOC		DIST		REVISIONS			
P	LTR	DESCRIPTION		DATE	DWN	APVD	
CM	00	F2	REVISED PER ECO-11-005027		11MAR11	RK	HMR

- 1 WIRE RANGE: 0.13–0.32mm<sup>2</sup> (26–22 AWG).
- 2 INSULATION RANGE: 1.20–1.75 DIA.
- 3 FINISH: 0.76μm MINIMUM GOLD IN LOCALIZED GOLD PLATE AREA OVER 1.27μm MINIMUM NICKEL
- 4 FINISH: 2.54μm MINIMUM PRE-TIN IN LOCALIZED TIN PLATE AREA.
- 5 FINISH: 2.54μm MINIMUM PRE-TIN ALL OVER.



SECTION A-A

SECTION B-B

SECTION C-C

METRIC

GOLD	3 4	PHOS. BRZ.	794957-4
PRE-TIN	5	PHOS. BRZ.	794957-3
GOLD	3 4	BRASS	794957-2
PRE-TIN	5	BRASS	794957-1
FINISH:		MATERIAL:	PART NO.

THIS DRAWING IS A CONTROLLED DOCUMENT.		DWN	S. HAMM	06-SEP-2001	 TE Connectivity
DIMENSIONS: mm [INCHES]		CHK	D. COLEY	07-SEP-2001	
TOLERANCES UNLESS OTHERWISE SPECIFIED:		APVD	D. COLEY	07-SEP-2001	
0 PLC ± 1 PLC ± 2 PLC ± 0.25 [010] 3 PLC ± 0.15 [.006] 4 PLC ± 0.050 [.0020] ANGLES ±		PRODUCT SPEC	NAME		
MATERIAL	FINISH	APPLICATION SPEC	TERMINAL PIN VAL-U-LOK(TM)		RESTRICTED TO
CUSTOMER DRAWING		WEIGHT	SIZE	A2	CAGE CODE
SCALE		10:1	DRAWING NO	C=794957	SHEET
SCALE		10:1	1 OF 1	REV	F2