



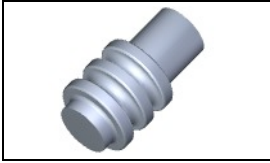
**Have a Question?**  
 Chat with a Product Information Specialist

What can we help you find?

[Products](#) | 
 [Industries](#) | 
 [Resources](#) | 
 [About TE](#) | 
 [My Account](#) | 
 [Innovation](#) | 
 [Support Center](#)

## 794995-1 Product Details

[Share](#) | 
 [Print](#) | 
 [Email](#)



**794995-1**

TE Internal Number: 794995-1

Active

[View 3D PDF](#)

### .163" Centerline, 600 V, 9.5 A max.

Always EU RoHS/ELV Compliant (Statement of Compliance)

**Product Highlights:**

- Mini-Universal MATE-N-LOK Sealed Product Line
- Accessory
- Glow Wire Rating = Standard Part - Not Glow Wire
- Accessory Type = Single Cavity Plug Seal
- Without PCB Mount Retention

[View all Features](#)

### Quick Links

- ▶ [Pricing & Availability](#)
- ▶ [Search for Tooling](#)
- ▶ [Product Feature Selector](#)
- ▶ [Contact Us About This Product](#)

[Add to My Part List](#) | 
 [Request Sample](#) | 
 [Find Similar Products](#) | 
 [Buy Product](#)

Documentation & Additional Information	
<p><b>Product Drawings:</b></p> <ul style="list-style-type: none"> <li>• <a href="#">SINGLE CAVITY PLUG SEAL, MINI UNIVERSAL MATE-N-LOK (PDF, English)</a></li> </ul> <p><b>Catalog Pages/Data Sheets:</b></p> <ul style="list-style-type: none"> <li>• <a href="#">SOFT_SHELL_PIN_AND_SOCKET_CONNECTORS_CATALOG (PDF, English)</a></li> </ul> <p><b>Product Specifications:</b></p> <ul style="list-style-type: none"> <li>• None Available</li> </ul> <p><b>Application Specifications:</b></p> <ul style="list-style-type: none"> <li>• <a href="#">Mini-Universal MATE-N-LOK Splash-Proof Sealed Connectors (PDF, English)</a></li> </ul> <p><b>Instruction Sheets:</b></p> <ul style="list-style-type: none"> <li>• None Available</li> </ul> <p><b>CAD Files:</b> (<a href="#">CAD Format &amp; Compression Information</a>)</p> <ul style="list-style-type: none"> <li>• <a href="#">2D Drawing (DXF, Version C)</a></li> <li>• <a href="#">3D Model (IGES, Version C)</a></li> <li>• <a href="#">3D Model (STEP, Version C)</a></li> </ul>	<p><b>Additional Information:</b></p> <ul style="list-style-type: none"> <li>• <a href="#">Product Line Information</a></li> </ul> <p><b>Related Products:</b></p> <ul style="list-style-type: none"> <li>• <a href="#">Tooling</a></li> </ul>

[List all Documents](#)

Product Features (Please use the Product Drawing for all design activity)	
<p><b>Product Type Features:</b></p> <ul style="list-style-type: none"> <li>• Product Line = Mini-Universal MATE-N-LOK Sealed</li> <li>• Product Type = Accessory</li> <li>• Accessory Type = Single Cavity Plug Seal</li> <li>• PCB Mount Retention = Without</li> </ul> <p><b>Mechanical Attachment:</b></p> <ul style="list-style-type: none"> <li>• Contact Retention = Without</li> <li>• Panel Mount Retention = Without</li> </ul> <p><b>Body Features:</b></p> <ul style="list-style-type: none"> <li>• Used With = Mini Universal MATE-N-LOK Sealed Connector</li> <li>• Mating Retention = Without</li> <li>• Assembly Integration Feature = Without</li> <li>• Seal Color = Black</li> </ul> <p><b>Contact Features:</b></p> <ul style="list-style-type: none"> <li>• Shunts/Shorting Bars = Without</li> <li>• Multiple Contact Types = Without</li> </ul>	<p><b>Housing Features:</b></p> <ul style="list-style-type: none"> <li>• Mating Alignment = Without</li> </ul> <p><b>Configuration Features:</b></p> <ul style="list-style-type: none"> <li>• Strain Relief = Without</li> </ul> <p><b>Industry Standards:</b></p> <ul style="list-style-type: none"> <li>• <a href="#">RoHS/ELV Compliance</a> = RoHS compliant, ELV compliant</li> <li>• <a href="#">Lead Free Solder Processes</a> = Not relevant for lead free process</li> <li>• RoHS/ELV Compliance History = Always was RoHS compliant</li> </ul> <p><b>Conditions for Usage:</b></p> <ul style="list-style-type: none"> <li>• Glow Wire Rating = Standard Part - Not Glow Wire</li> </ul> <p><b>Packaging Features:</b></p> <ul style="list-style-type: none"> <li>• Packaging Method = Bag</li> <li>• Packaging Quantity = 5,000</li> </ul> <p><b>Other:</b></p> <ul style="list-style-type: none"> <li>• Brand = AMP</li> </ul>

**Corporate Information**

[About TE](#)

**Quick Links**

[Distributor Inventory](#)

**Customer Support**

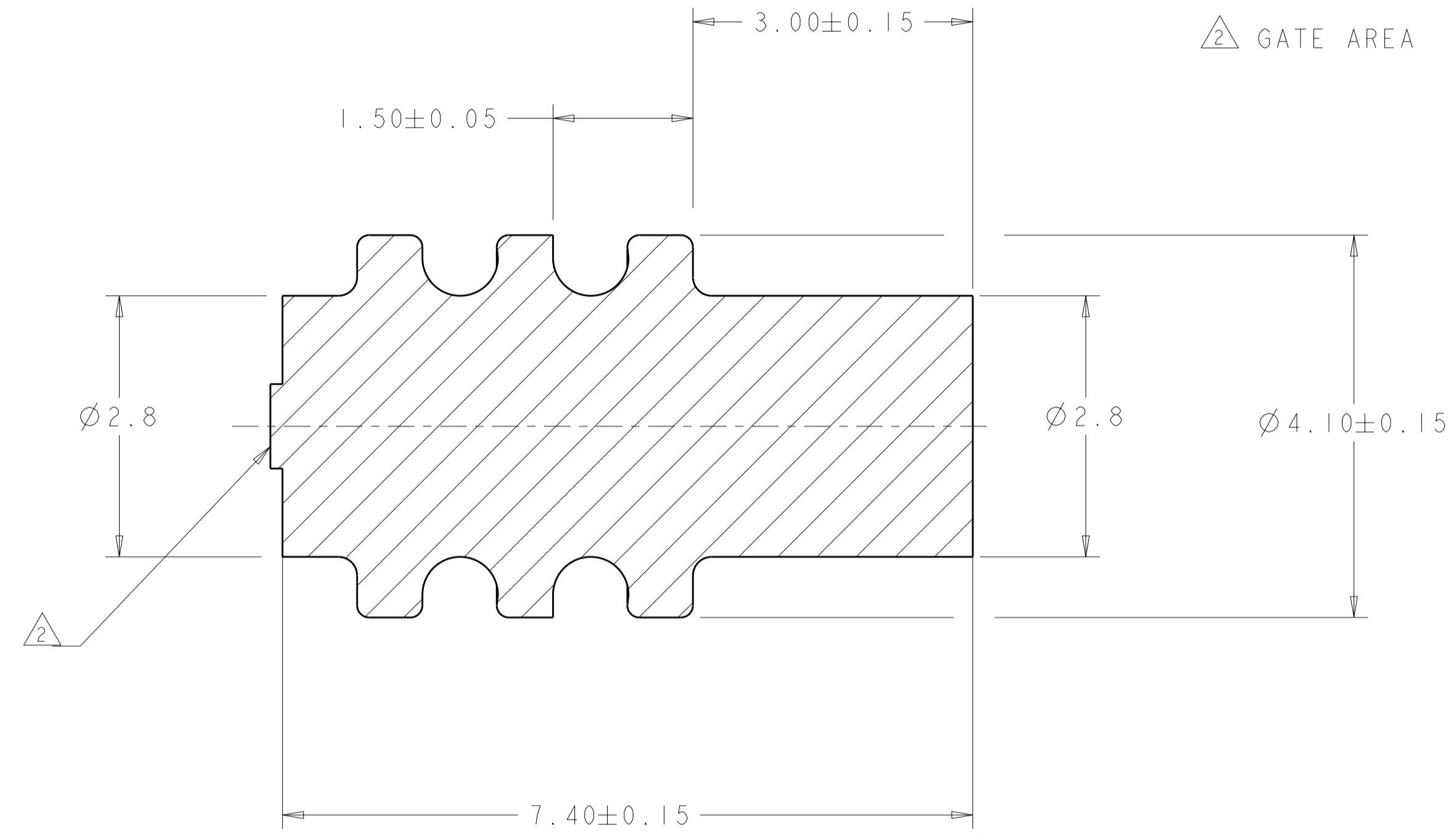
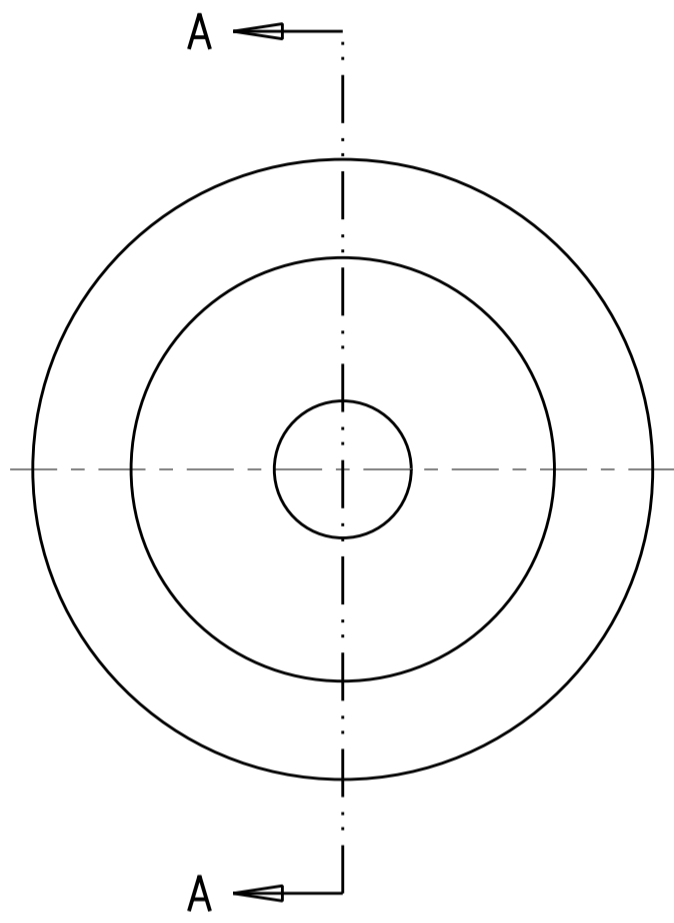
[Email or Chat With Us](#)

THIS DRAWING IS UNPUBLISHED. RELEASED FOR PUBLICATION 20  
 © COPYRIGHT 20 BY TYCO ELECTRONICS CORPORATION. ALL RIGHTS RESERVED.

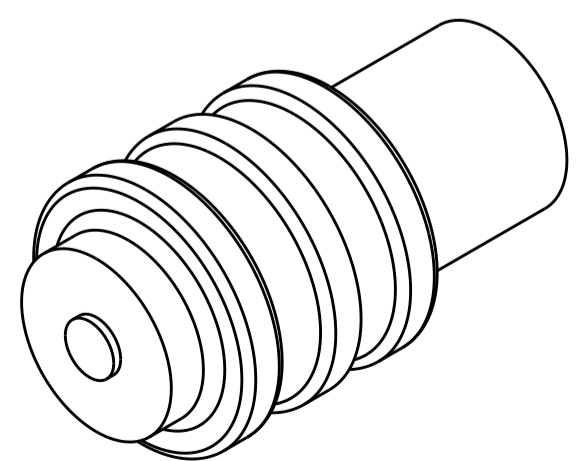
LOC	DIST	REVISIONS					
CM	00	P	LTR	DESCRIPTION	DATE	DWN	APVD
		D		REVISED PER ECR 11-001811	17MAR11	JR	TM

△ MATERIAL: SILICON RUBBER, BLACK.  
 SELF LUBRICATING

△ GATE AREA



SECTION A-A



3 DIMENSIONAL VIEW  
 SCALE 10:1

**METRIC**

794995-1  
 PART NUMBER

<small>THIS DRAWING IS A CONTROLLED DOCUMENT FOR TYCO ELECTRONICS CORPORATION. IT IS SUBJECT TO CHANGE AND THE CONTROLLING ENGINEERING ORGANIZATION SHOULD BE CONTACTED FOR THE LATEST REVISION.</small>		DWN 21-NOV-2001 K. WHITAKER CHK 21-NOV-2001 C. JONES APVD 21-NOV-2001 C. JONES	<b>tyco</b> Electronics Tyco Electronics Harrisburg, PA 17105-3608
DIMENSIONS: mm 	TOLERANCES UNLESS OTHERWISE SPECIFIED: 0 PLC ± 1 PLC ±0.3 2 PLC ± 3 PLC ± 4 PLC ± ANGLES ±2° FINISH	PRODUCT SPEC APPLICATION SPEC WEIGHT CUSTOMER DRAWING	NAME SINGLE CAVITY PLUG SEAL, MINI UNIVERSAL MATE-N-LOK™ SIZE A2 CAGE CODE 00779 DRAWING NO. C-794995 RESTRICTED TO SCALE 20:1 SHEET 1 OF 1 REV D