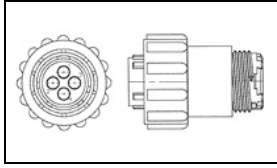


796188-1 Product Details



796188-1

TE Internal Number: 796188-1



CPC (Circular Plastic) and Circular Metal-Shell Connectors

 Always EU RoHS/ELV Compliant (Statement of Compliance)

Product Highlights:

- Housing
- Connector Style = Plug
- 24 Positions
- 24 Signal Positions
- 0 Power Positions

Documentation & Additional Information

Product Drawings:

- [PLUG ASSEMBLY, STANDARD SEX, SIZE 23-24, SEALED CPC](#) (PDF, English)

Catalog Pages/Data Sheets:

- [AMP Circular Connectors for Commercial Signal & Powe...](#) (PDF, English)

Product Specifications:

- None Available

Application Specifications:

- None Available

Instruction Sheets:

- None Available

CAD Files: (CAD Format & Compression Information)

- [2D Drawing](#) (DXF, Version A)
- [3D Model](#) (IGES, Version A)
- [3D Model](#) (STEP, Version A)

Related Products:

- [Tooling](#)
- [Mating Products \(2\)](#)

Product Features (Please use the Product Drawing for all design activity)

Product Type Features:

- Connector Type = Housing
- Mount Angle = Straight
- Shell Size = 23
- Shell Type = All Plastic
- Product Series = Series 1
- Thread Size = 1-3/8 - 18 UNEF-2A
- Sealed = Yes

Mechanical Attachment:

- Mount = Free Hanging
- Mating Retention Type = Threaded Coupling

Termination Features:

- Seal Type = Wire Entry

Contact Features:

- Contact Type = Socket
- Reverse Gender = Standard

Housing Features:

- Connector Style = Plug
- Mating Alignment Type = Keyed
- Housing Material = Nylon
- Housing Color = Black

Configuration Features:

- Number of Positions = 24
- Number of Signal Positions = 24
- Number of Power Positions = 0
- Environmental Protection = With
- Reverse Numbering = Without

Industry Standards:

- VDE Tested = No
- RoHS/ELV Compliance = RoHS compliant, ELV compliant
- Lead Free Solder Processes = Not relevant for lead free process
- RoHS/ELV Compliance History = Always was RoHS compliant

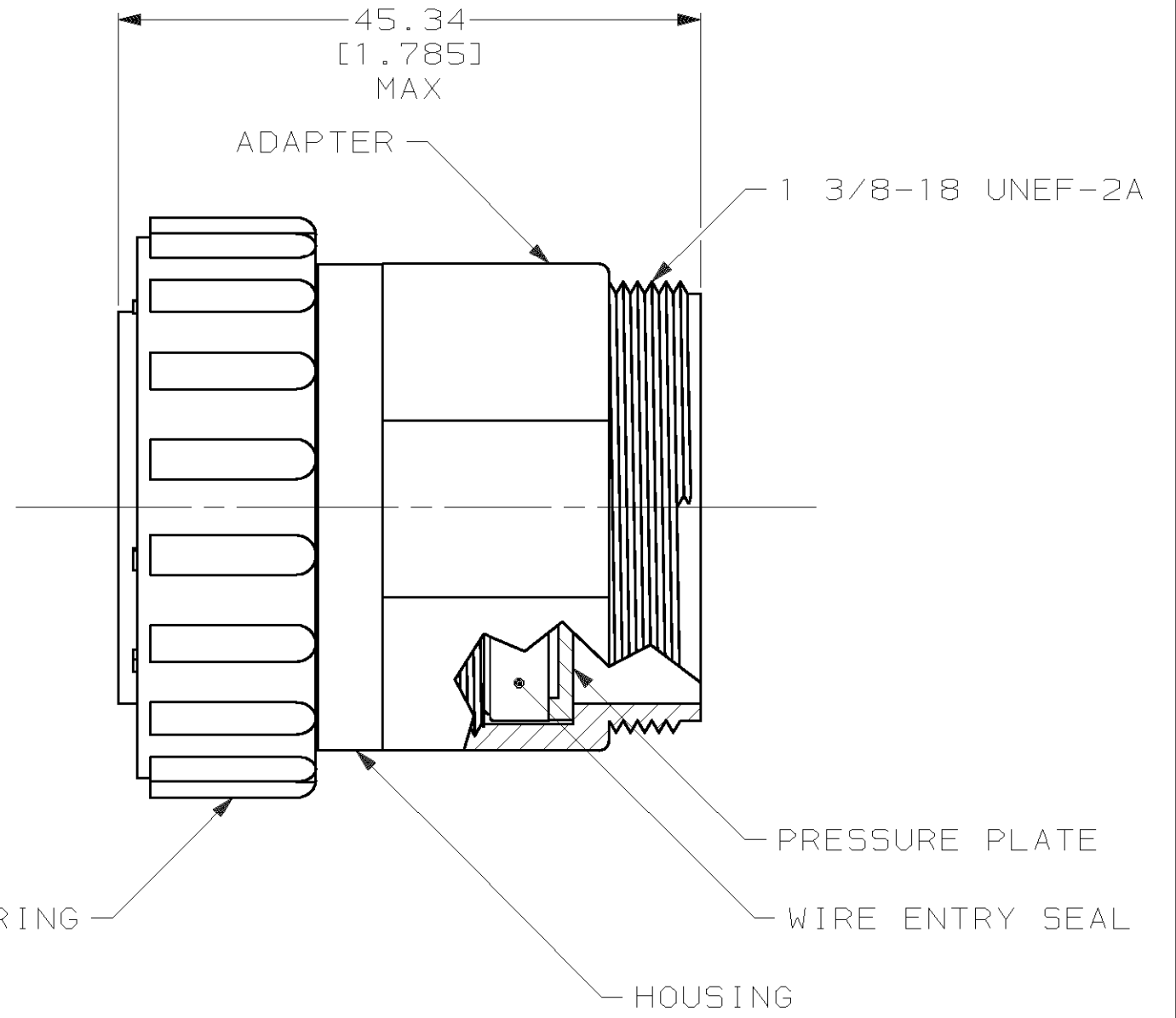
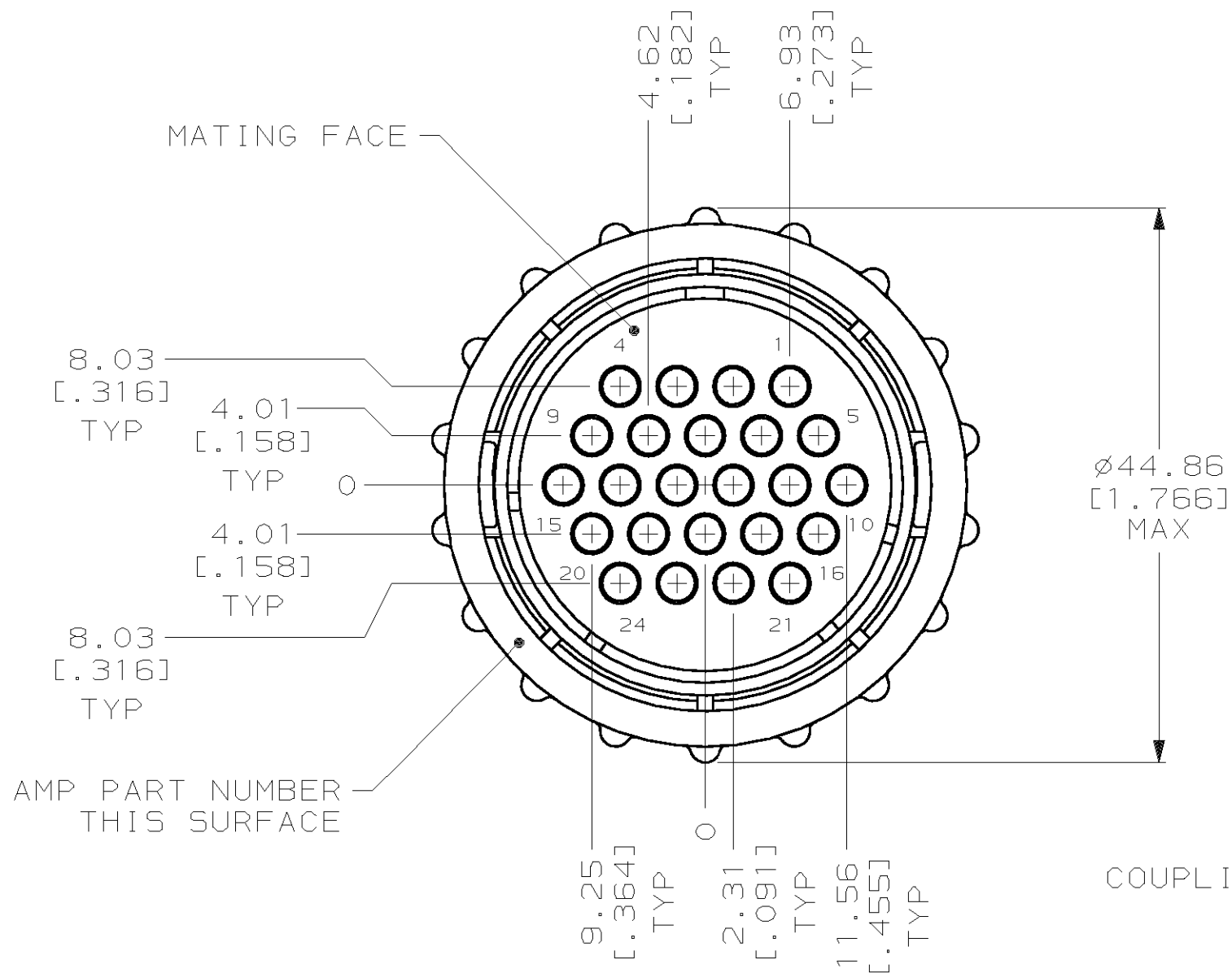
Environmental:

- Fluid Resistance = Immersion

Other:

- Brand = AMP

LOC	DIST	REVISIONS			
P	LTR	DESCRIPTION	DATE	DWN	APVD
FT	0	A	REVISE PER ECN 063B-0348-00	14AUG00	SU HS



796188-1
 PART NUMBER

- 1 HOUSING, ADAPTER AND PRESSURE PLATE: NYLON, BLACK. COUPLING RING: POLYESTER, BLACK. WIRE ENTRY SEAL: ELASTOMER, RED-IRON OXIDE.
- 2. CONNECTOR WILL ACCEPT (24) MULTIMATE SOCKET CONTACTS.

THIS DRAWING IS A CONTROLLED DOCUMENT.		DWN C. DORWART 13 JUL 98	AMP AMP Incorporated Harrisburg, PA 17105-3608
DIMENSIONS: mm [INCHES]		CHK K. DOWHOWER 10 AUG 99	
TOLERANCES UNLESS OTHERWISE SPECIFIED:		APVD K. DOWHOWER 10 AUG 99	NAME PLUG ASSEMBLY, STANDARD SEX, SIZE 23-24, SEALED CPC
0 PLC ±-		PRODUCT SPEC 108-1579	SIZE A3
1 PLC ±-		APPLICATION SPEC -	CAGE CODE 00779
2 PLC ±0.13 [.005]		WEIGHT -	DRAWING NO C- 796188
3 PLC ±-		CUSTOMER DRAWING	RESTRICTED TO -
4 PLC ±-		SCALE 2:1	SHEET 1 OF 1
ANGLES ±-			REV A
FINISH -			