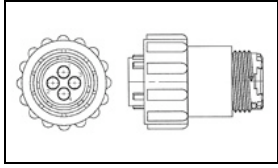


796274-1 Product Details



796274-1

TE Internal Number: 796274-1



CPC (Circular Plastic) and Circular Metal-Shell Connectors

 Always EU RoHS/ELV Compliant (Statement of Compliance)

Product Highlights:

- Housing
- Connector Style = Plug
- 16 Positions
- 16 Signal Positions
- 0 Power Positions

Documentation & Additional Information

Product Drawings:

- [ASSEMBLY, PLUG, STANDARD SEX, 17-16, STANDARD OR SMA...](#) (PDF, English)

Catalog Pages/Data Sheets:

- [AMP Circular Connectors for Commercial Signal & Powe...](#) (PDF, English)

Product Specifications:

- None Available

Application Specifications:

- None Available

Instruction Sheets:

- None Available

CAD Files: (CAD Format & Compression Information)

- [2D Drawing](#) (DXF, Version E1)
- [3D Model](#) (IGES, Version E1)
- [3D Model](#) (STEP, Version E1)

Related Products:

- [Tooling](#)
- [Mating Products \(5\)](#)

Product Features (Please use the Product Drawing for all design activity)

Product Type Features:

- Connector Type = Housing
- Mount Angle = Straight
- Shell Size = 17
- Shell Type = All Plastic
- Product Series = Series 1
- Thread Size = 15/16-20 UNEF-2A
- Sealed = Yes

Mechanical Attachment:

- Mount = Free Hanging
- Mating Retention Type = Threaded Coupling

Termination Features:

- Seal Type = Wire Entry

Contact Features:

- Contact Type = Socket
- Reverse Gender = Standard

Housing Features:

- Connector Style = Plug
- Mating Alignment Type = Keyed
- Housing Material = Nylon
- Housing Color = Black

Configuration Features:

- Number of Positions = 16
- Number of Signal Positions = 16
- Number of Power Positions = 0
- Environmental Protection = With
- Reverse Numbering = Without

Industry Standards:

- VDE Tested = No
- RoHS/ELV Compliance = RoHS compliant, ELV compliant
- Lead Free Solder Processes = Not relevant for lead free process
- RoHS/ELV Compliance History = Always was RoHS compliant

Environmental:

- Fluid Resistance = Immersion

Conditions for Usage:

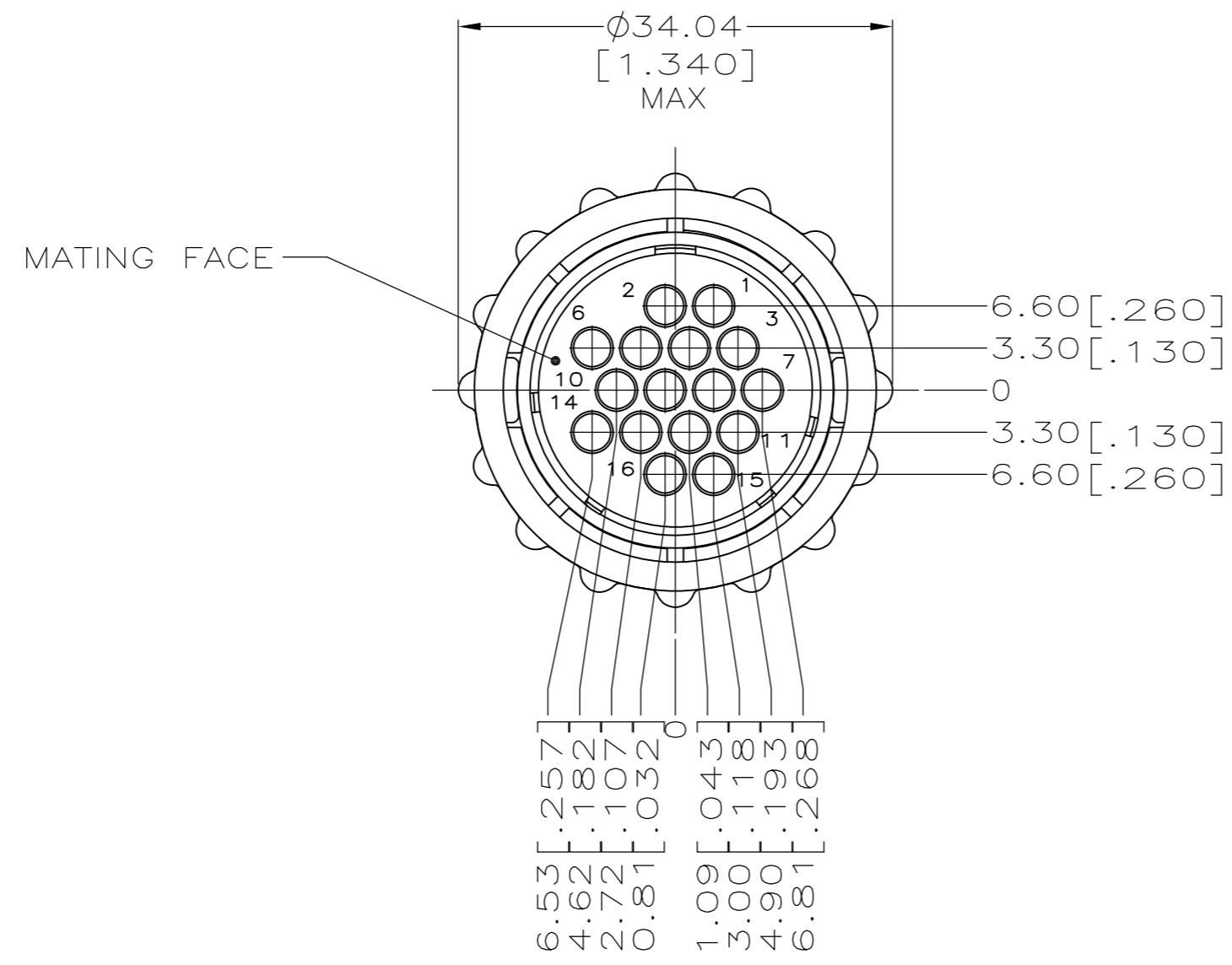
- Accepts Wire Insulation Diameter, Range (mm [in]) = 1.65 - 3.05 [0.065 - 0.120]

Other:

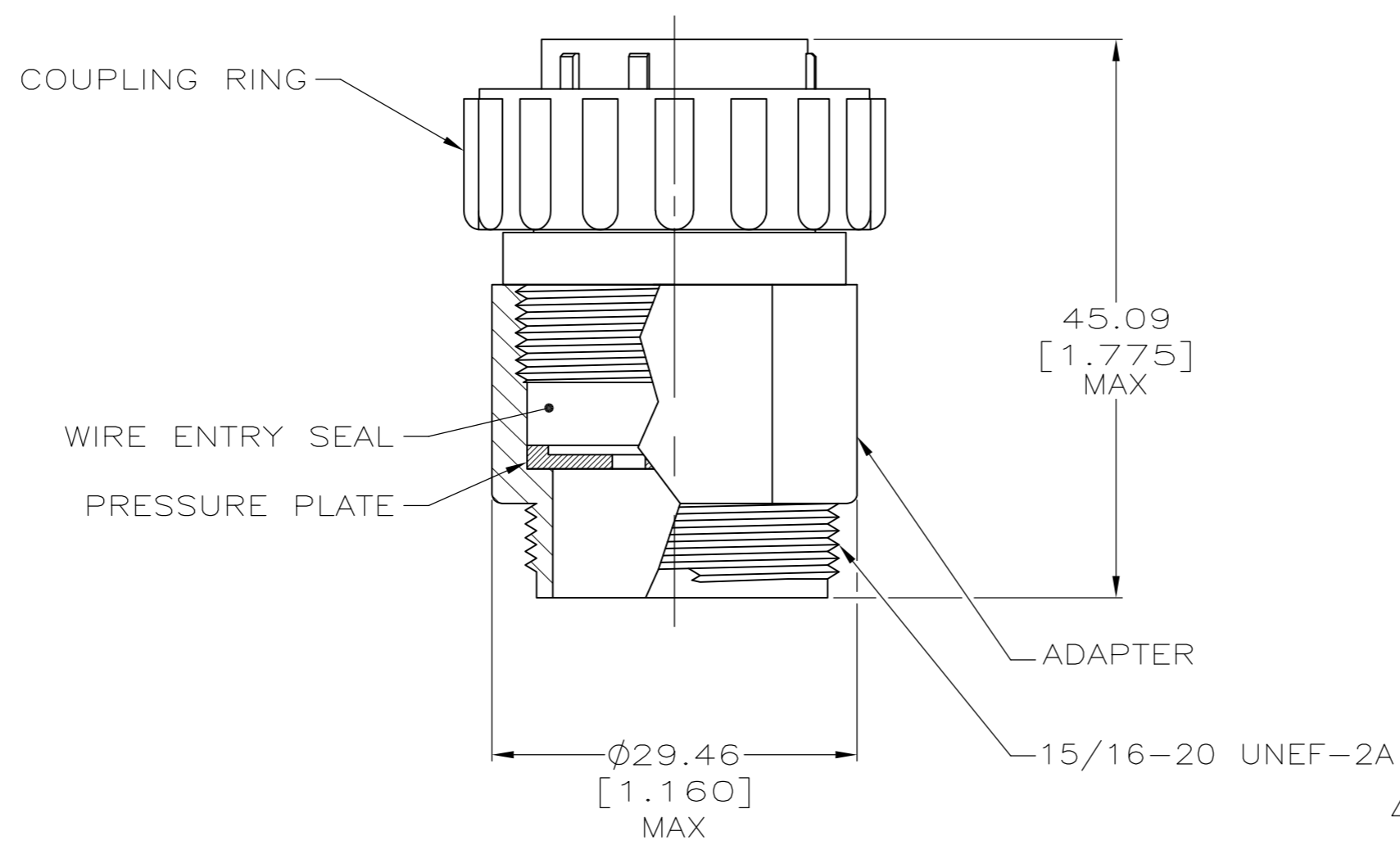
- Brand = AMP

THIS DRAWING IS UNPUBLISHED. RELEASED FOR PUBLICATION
 © COPYRIGHT BY TYCO ELECTRONICS CORPORATION. ALL RIGHTS RESERVED.

LOC		DIST		REVISIONS			
P	LTR	DESCRIPTION	DATE	DWN	APVD		
FT	0	E1	REVISED PER ECO-08-032011	23DEC08	HMR	MS	



- 1 HOUSING, ADAPTER AND PRESSURE PLATE: NYLON, BLACK.
WIRE ENTRY SEAL: ELASTOMER, SEE TABLE.
COUPLING RING: POLYPHENYLENE, BLACK.
- 2 CONNECTOR WILL ACCEPT (16) MULTIMATE SOCKET CONTACTS.
- 3 HOUSING, ADAPTOR AND COUPLING RING MATERIAL: POLYESTER, PBT.
- 4 METAL COUPLING RING.



SEAL COLOR	DIA. RANGE	INSULATION	PART NUMBER
4 RED-IRON OXIDE	.065 - .120	STANDARD	796274-4
3 OBSOLETE YELLOW	.040 - .080	SMALL	796274-3
1 YELLOW	.040 - .080	SMALL	796274-2
1 RED-IRON OXIDE	.065 - .120	STANDARD	796274-1

THIS DRAWING IS A CONTROLLED DOCUMENT.

DWN L. McEACHIN 27-JAN-2000	Tyco Electronics Corporation Harrisburg, Pa 17105-3608
CHK K. DOWHOWER 27-JAN-2000	
APVD K. DOWHOWER 27-JAN-2000	
PRODUCT SPEC	
APPLICATION SPEC	NAME ASSEMBLY, PLUG, STANDARD SEX, 17-16, STANDARD OR SMALL INSULATION DIA., SEALED
WEIGHT -	SIZE A2 CAGE CODE 00779 DRAWING NO. C=796274 RESTRICTED TO -
CUSTOMER DRAWING	SCALE 2:1 SHEET 1 OF 1 REV E1