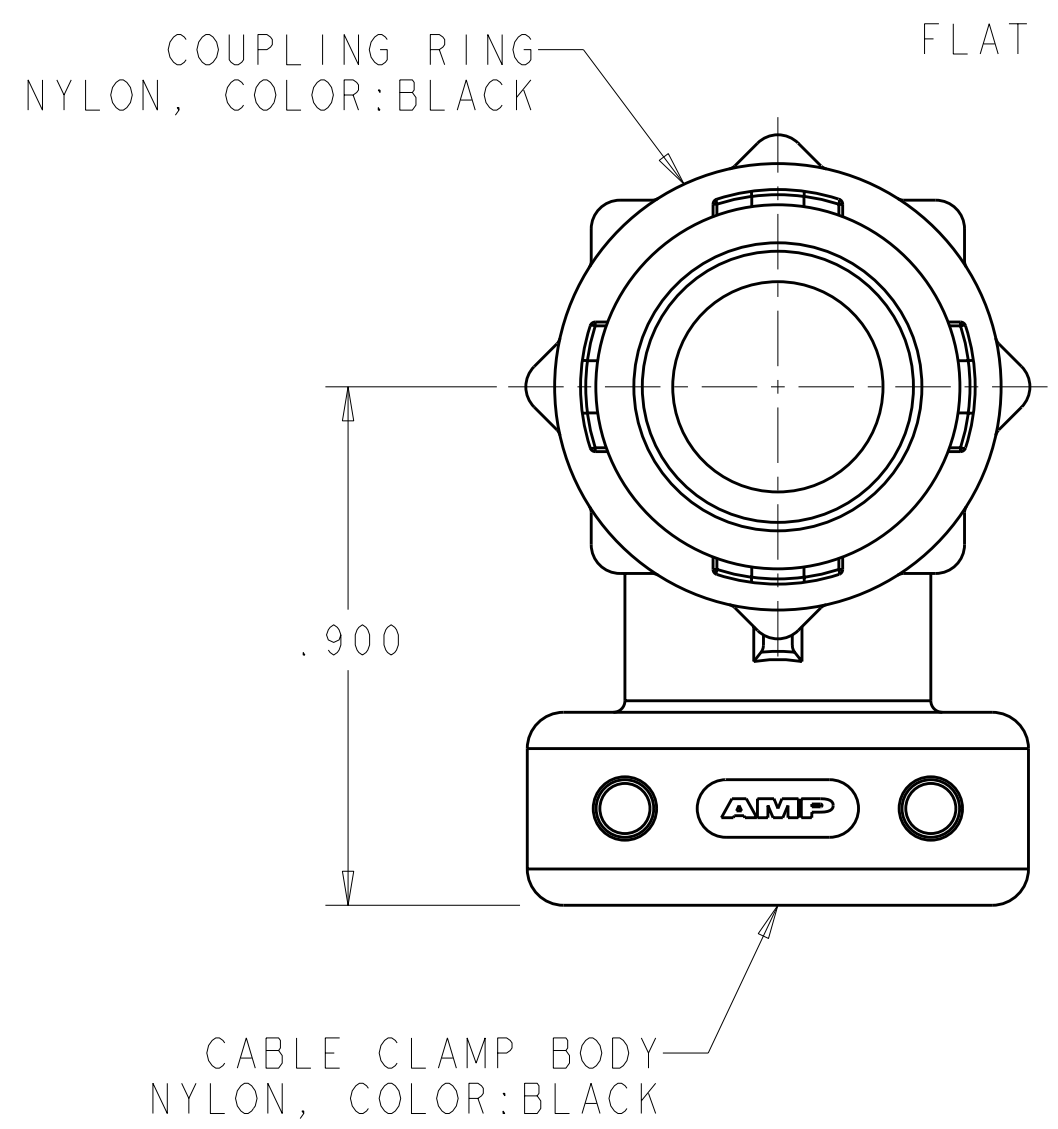


THIS DRAWING IS UNPUBLISHED. RELEASED FOR PUBLICATION  
 © COPYRIGHT 20 BY TYCO ELECTRONICS CORPORATION. ALL RIGHTS RESERVED.

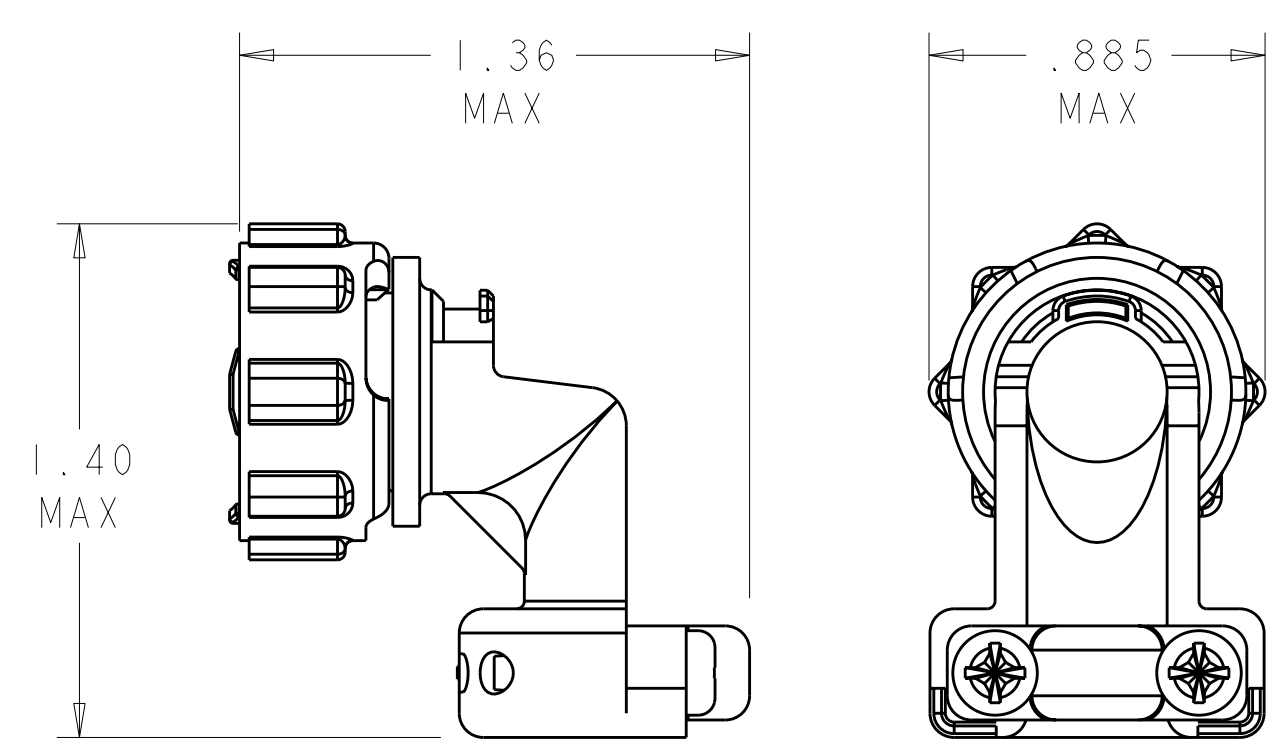
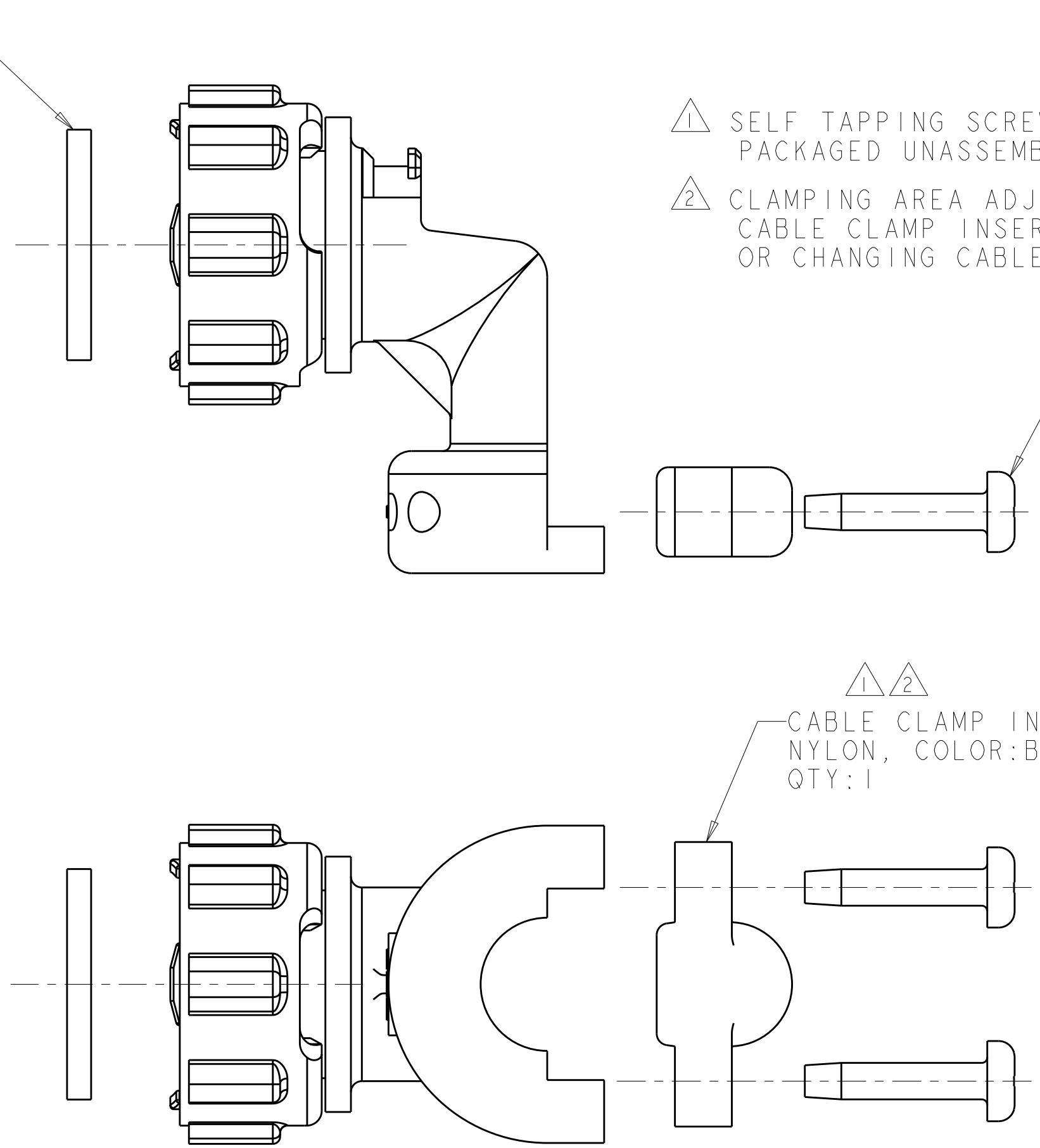
LOC	DIST	REVISIONS			
P	LTR	DESCRIPTION	DATE	DWN	APVD
FT	0	D	REVISED PER ECO-08-029125	21NOV2008	HMR MS



- 1 SELF TAPPING SCREWS AND CABLE CLAMP INSERTS PACKAGED UNASSEMBLED.
- 2 CLAMPING AREA ADJUSTABLE TO .329 O.D. MAX CABLE. CABLE CLAMP INSERTS CAN BE ADJUSTED BY INVERTING OR CHANGING CABLE CLAMP INSERT.

1 5-20 SELF TAPPING SCREW  
 MATERIAL: STEEL  
 QTY: 2  
 LENGTH: .50<sup>+.00</sup><sub>-.05</sub>

1 2 CABLE CLAMP INSERT  
 NYLON, COLOR:BLACK  
 QTY: 1



ASSEMBLED VIEW  
 SCALE 2:1

796379-2  
 796379-1  
 PART NUMBER

<small>THIS DRAWING IS A CONTROLLED DOCUMENT FOR TYCO ELECTRONICS CORPORATION          IT IS SUBJECT TO CHANGE AND THE CONTROLLING ENGINEERING ORGANIZATION          SHOULD BE CONTACTED FOR THE LATEST REVISION.</small>		DWN S.WELDON 11FEB2000 CHK M.CHACKO 11FEB2000 APVD M.CHACKO 11FEB2000	<b>Tyco Electronics</b> AMP Incorporated Harrisburg, PA 17105-3608
DIMENSIONS: INCHES	TOLERANCES UNLESS OTHERWISE SPECIFIED: 0 PLC ± 1 PLC ± 2 PLC ± 3 PLC ±0.005 4 PLC ± ANGLES ± FINISH	PRODUCT SPEC APPLICATION SPEC WEIGHT	NAME CABLE CLAMP KIT, UNASSEMBLED, RIGHT ANGLE, SIZE 11, CPC SIZE CAGE CODE DRAWING NO RESTRICTED TO A200779 C-796379 -
MATERIAL		CUSTOMER DRAWING	SCALE 3:1 SHEET 1 OF 1 REV D