

Distributed by:

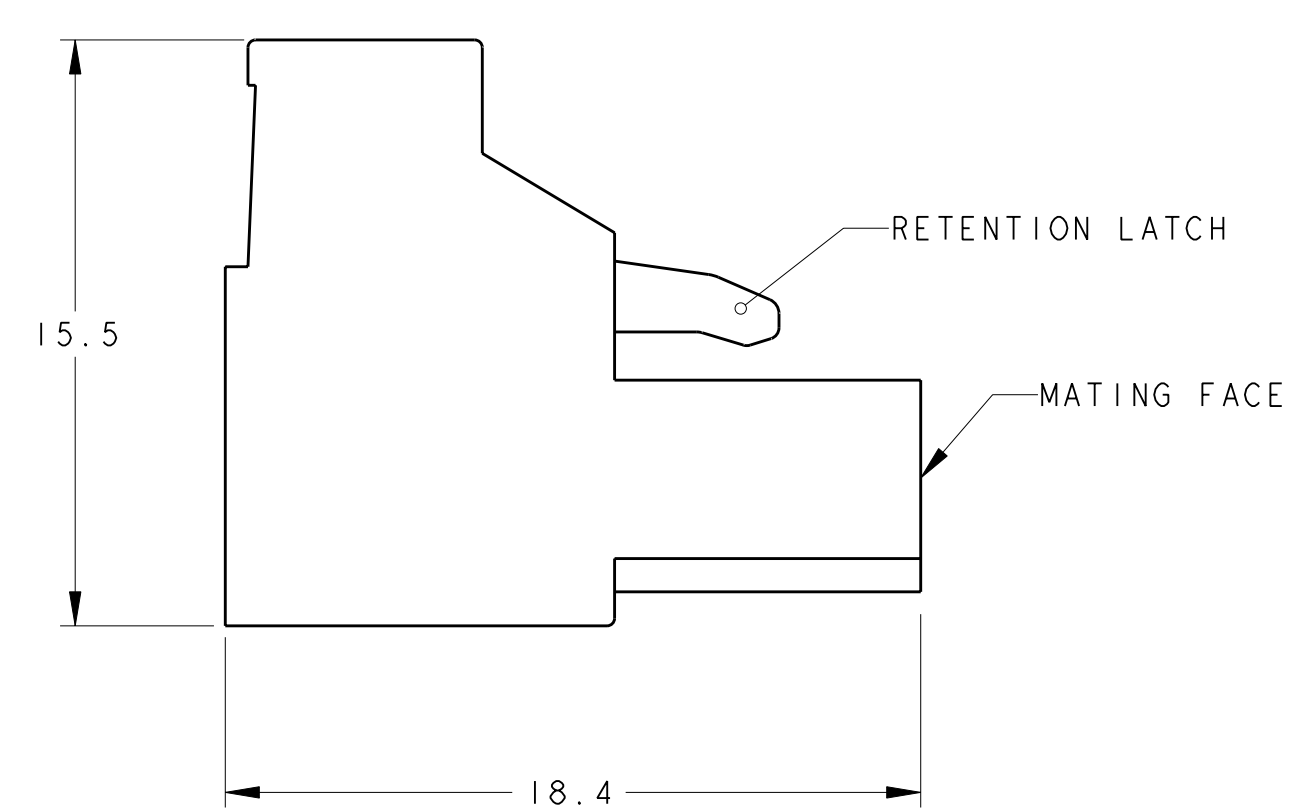
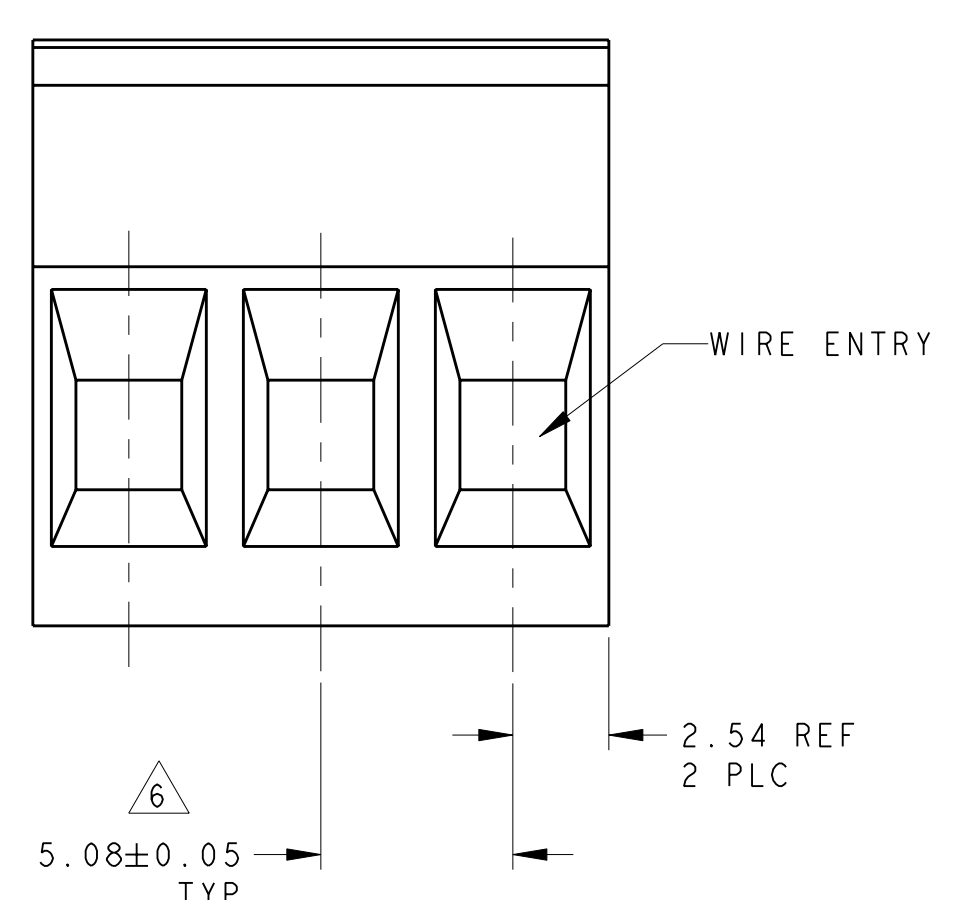
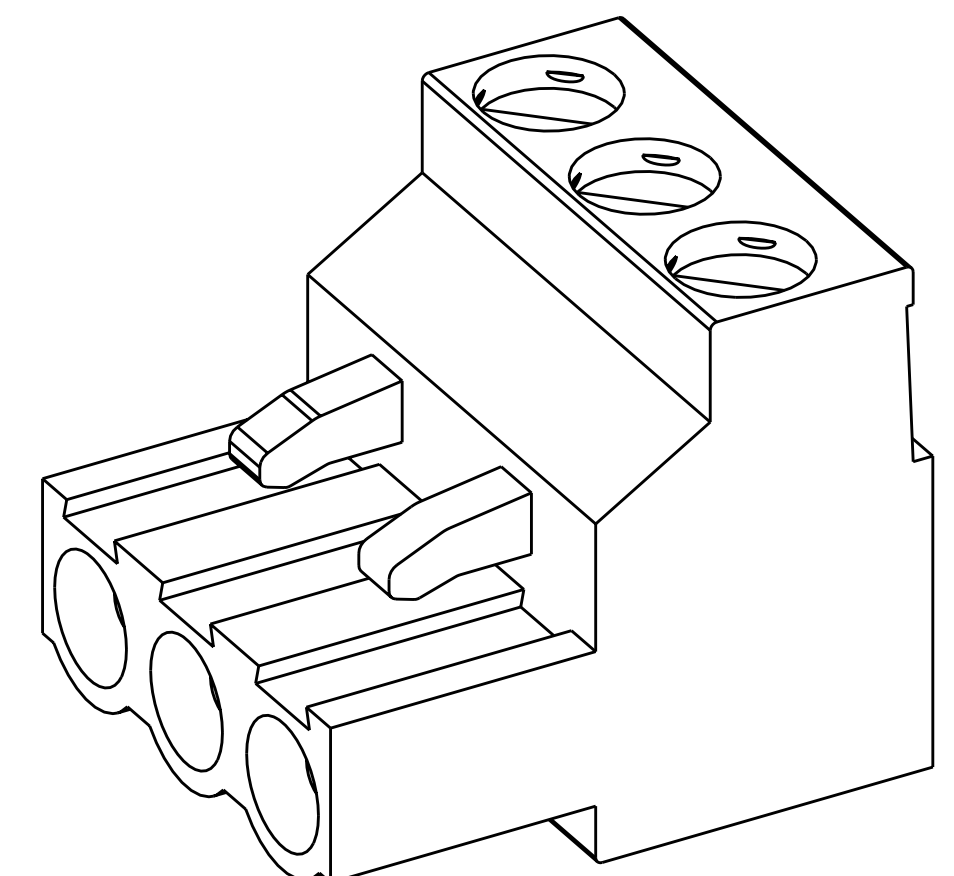
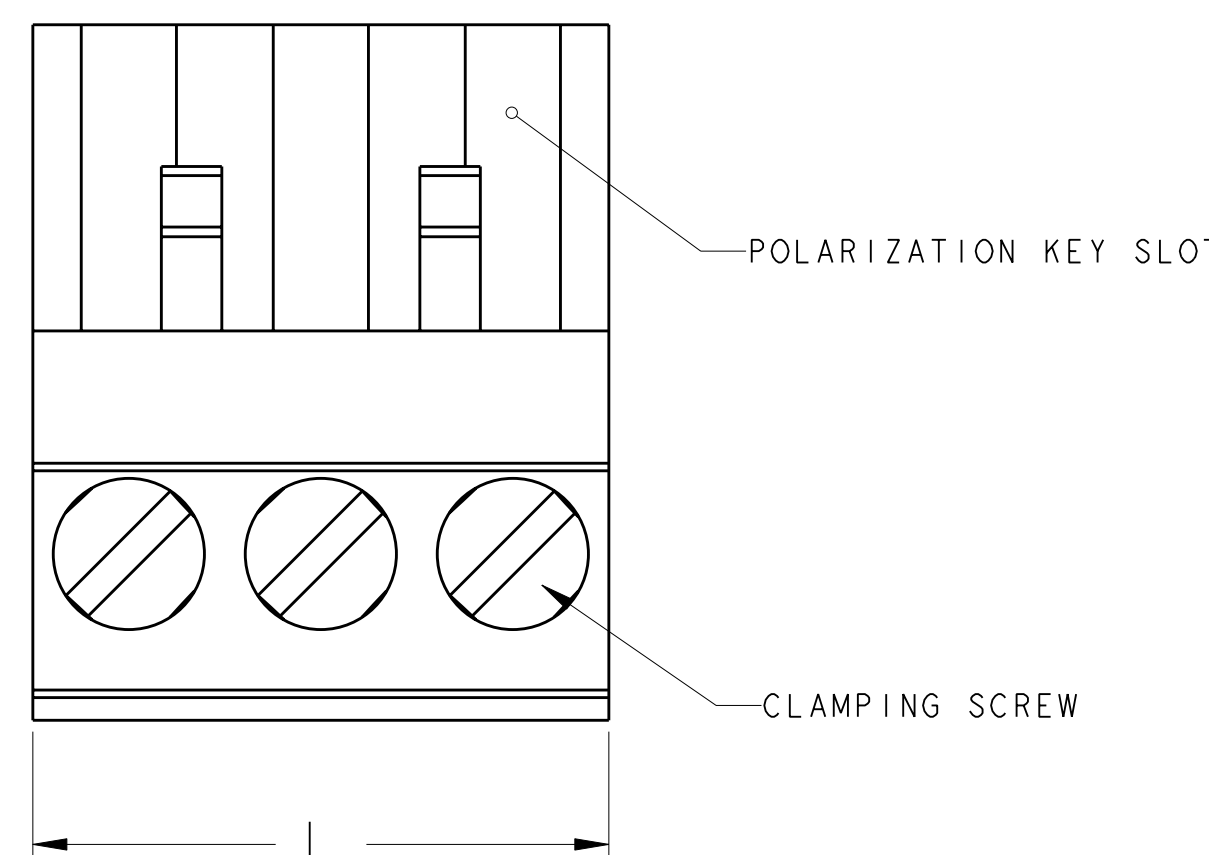
**JAMECO**<sup>®</sup>  
ELECTRONICS

**www.Jameco.com ♦ 1-800-831-4242**

The content and copyrights of the attached  
material are the property of its owner.

Jameco Part Number 1977761

LOC	DIST	REVISIONS					
FT	0	P	LTB	DESCRIPTION	DATE	DWN	APVD
		R		REVISED ECO-06-016794	17JUL2006	SW	CR



1. MATERIALS AND FINISH:  
 HOUSING: PA 6-6, UL 94-V0, COLOR: GREEN.  
 CLAMP: BRASS, PLATING: SEE TABLE.  
 DOUBLE SIDE CONTACT SPRING: PHOSPHOR BRONZE, PLATING: SEE TABLE.  
 CLAMPING SCREW: M3, BRASS, NICKEL PLATED.
2. END-TO-END STACKABLE WITHOUT LOSS OF CENTERLINE SPACING.
3. WIRE SIZE RANGE: 12-30 AWG.
4. RECOGNIZED UNDER THE COMPONENT PROGRAM OF UNDERWRITERS LABORATORIES INC. FILE N° E60677.
5. IMQ CERTIFICATE WITH SURVEILLANCE IN CONFORMITY WITH IEC 998-1/998-2-1.
6. NOT CUMULATIVE TOLERANCE
7. INK MARKING, WHITE COLOR
8. INK MARKING, BLACK COLOR
9. NUMERICAL SEQUENCE: FROM LEFT TO RIGHT UNLESS OTHERWISE SPECIFIED.
10. BUCHANAN LOGO TO APPEAR ON HOUSING, LOCATION OPTIONAL WHERE SPACE PERMITS.
11. SELECTIVELY LOADED IN POSITIONS 1,2,4,5,7,8.

PRELIMINARY	NICKEL	TIN	-	△1	40.64	8	6-796634-9
	NICKEL	TIN	△7 △9	DETAIL Z	91.44	18	6-796634-8
PRELIMINARY	NICKEL	TIN	△7 △9	DETAIL Y	81.28	16	6-796634-7
PRELIMINARY	NICKEL	TIN	△7 △9	DETAIL X	15.24	3	6-796634-6
PRELIMINARY	NICKEL	TIN	△8 △9	DETAIL W	101.60	20	6-796634-5
	NICKEL	TIN	△7	DETAIL V	15.24	3	6-796634-4
	NICKEL	TIN	△7	DETAIL T	15.24	3	6-796634-3
	NICKEL	TIN	△7	DETAIL S	10.16	2	6-796634-2
	.000008 GOLD OVER NICKEL	.000008 GOLD OVER NICKEL	-	-	10.16	2	5-796634-6
	NICKEL	GOLD FLASH	-	-	25.40	5	5-796634-5
	NICKEL	GOLD FLASH	-	-	20.32	4	5-796634-4
	NICKEL	GOLD FLASH	-	-	10.16	2	5-796634-2
	NICKEL	TIN	△7	DETAIL R	71.12	14	4-796634-4
	NICKEL	TIN	△8 △9	DETAIL P	55.88	11	4-796634-2
	NICKEL	TIN	△7 △9	DETAIL P	55.88	11	4-796634-1
	NICKEL	TIN	△8	DETAIL N	81.28	16	4-796634-0
	NICKEL	TIN	△7 △9	DETAIL M	81.28	16	3-796634-9
	NICKEL	TIN	△8 △9	DETAIL K	121.92	24	3-796634-8
	NICKEL	TIN	△7 △9	DETAIL J	121.92	24	3-796634-7
	NICKEL	TIN	△8 △9	DETAIL H	121.92	24	3-796634-6
	NICKEL	TIN	△7 △9	DETAIL G	121.92	24	3-796634-5
	NICKEL	TIN	△8 △9	DETAIL F	121.92	24	3-796634-4
	NICKEL	TIN	△7 △9	DETAIL E	50.80	10	2-796634-8
	NICKEL	TIN	△7 △9	DETAIL D	40.64	8	2-796634-7
	NICKEL	TIN	-	-	127.00	25	2-796634-5
	NICKEL	TIN	-	-	121.92	24	2-796634-4
	NICKEL	TIN	-	-	116.84	23	2-796634-3
	NICKEL	TIN	-	-	111.76	22	2-796634-2
	NICKEL	TIN	-	-	106.68	21	2-796634-1
	NICKEL	TIN	-	-	101.60	20	2-796634-0
	NICKEL	TIN	-	-	96.52	19	1-796634-9
	NICKEL	TIN	-	-	91.44	18	1-796634-8
	NICKEL	TIN	-	-	86.36	17	1-796634-7
	NICKEL	TIN	-	-	81.28	16	1-796634-6
	NICKEL	TIN	-	-	76.20	15	1-796634-5
	NICKEL	TIN	-	-	71.12	14	1-796634-4
	NICKEL	TIN	-	-	66.04	13	1-796634-3
	NICKEL	TIN	-	-	60.96	12	1-796634-2
	NICKEL	TIN	-	-	55.88	11	1-796634-1
	NICKEL	TIN	-	-	50.80	10	1-796634-0
	NICKEL	TIN	-	-	45.72	9	796634-9
	NICKEL	TIN	-	-	40.64	8	796634-8
	NICKEL	TIN	-	-	35.56	7	796634-7
	NICKEL	TIN	-	-	30.48	6	796634-6
	NICKEL	TIN	-	-	25.40	5	796634-5
	NICKEL	TIN	-	-	20.32	4	796634-4
	NICKEL	TIN	-	-	15.24	3	796634-3
	NICKEL	TIN	-	-	10.16	2	796634-2
	CLAMP PLATING	CONTACT PLATING	MARKING	SPECIAL	L	NO OF POSN	PART NUMBER

THIS DRAWING IS UNPUBLISHED. RELEASED FOR PUBLICATION BY TYCO ELECTRONICS CORPORATION, ALL RIGHTS RESERVED.

APPROVED FOR CONSTRUCTION: DATE: 18OCT2000  
 CHECKED BY: S. WELDON  
 DRAWN BY: D. BIEVENOUR

BUCHANAN Tyco Electronics  
 Harrisburg, PA 17105-3608

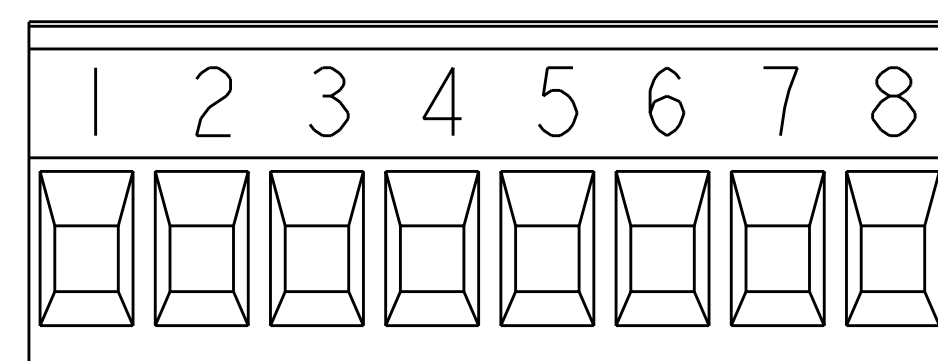
NAME: TERMINAL BLOCK, PLUG, STACKING, 5.08mm PITCH

PRODUCT SPEC: -  
 APPLICATION SPEC: -  
 WEIGHT: -  
 SCALE: 2:1

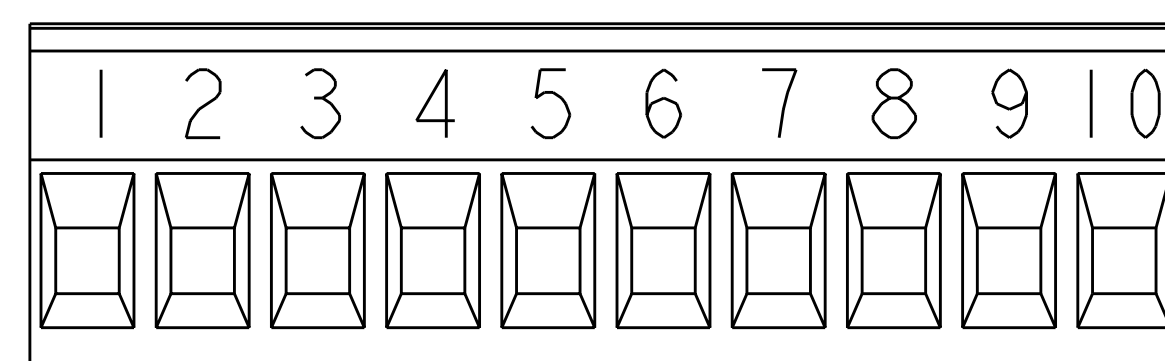
SIZE: 00779 C=796634 SHEET 1 OF 2 REV R

CUSTOMER DRAWING

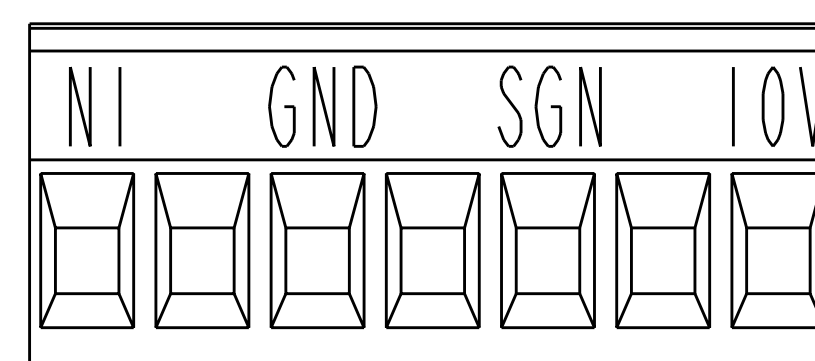
LOC	DIST	REVISIONS			
FT	0	REV	DATE	DWN	APVD
-	-	SEE SHEET 1	-	-	-



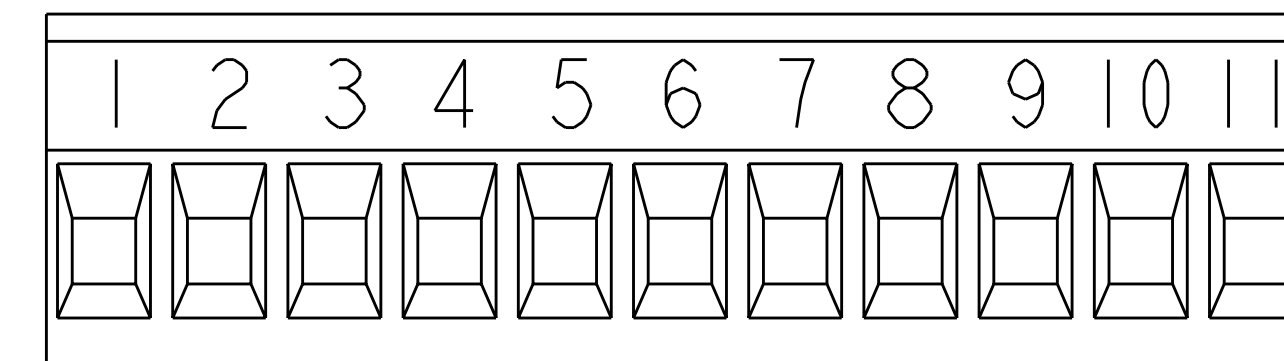
DETAIL D



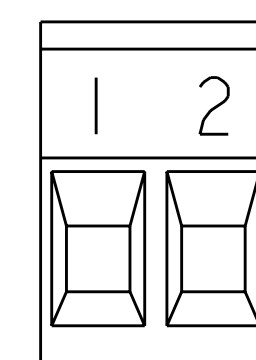
DETAIL E



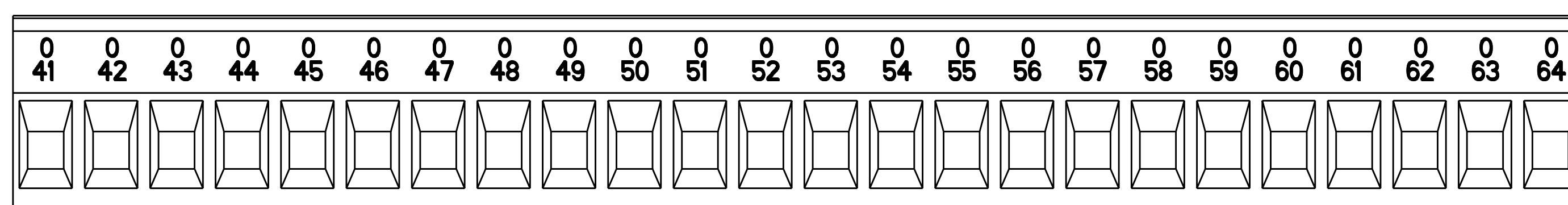
DETAIL N



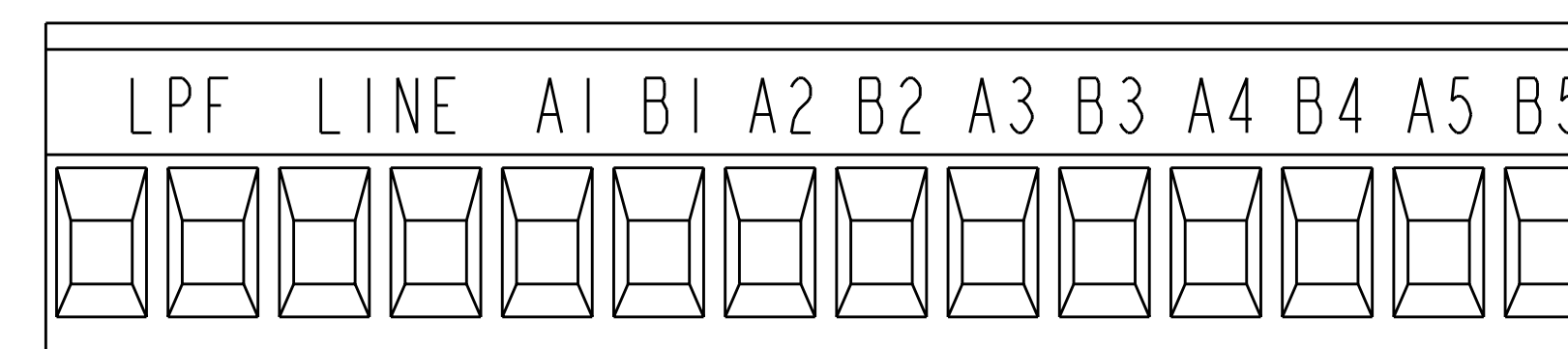
DETAIL P



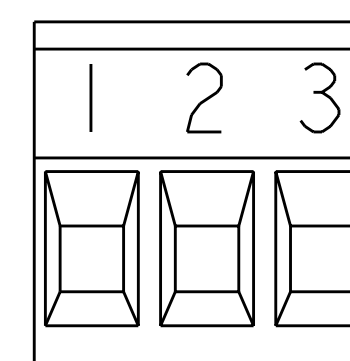
DETAIL S



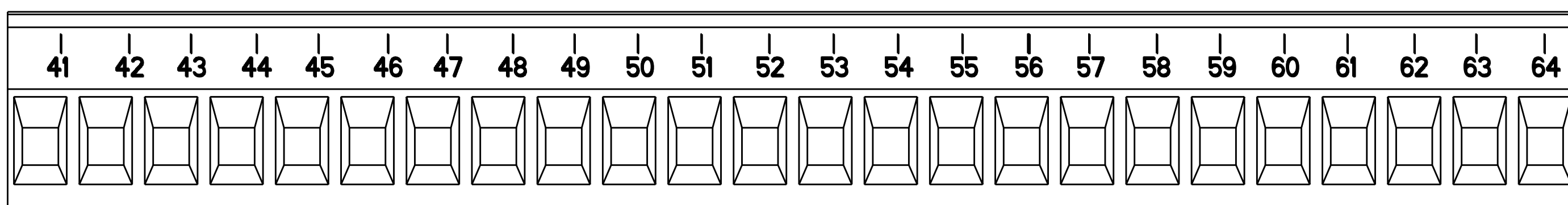
DETAIL F



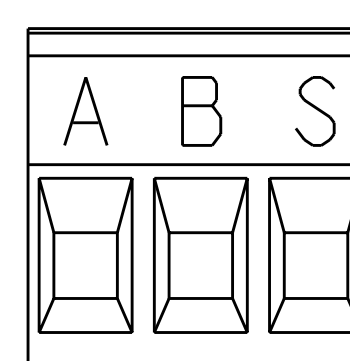
DETAIL R



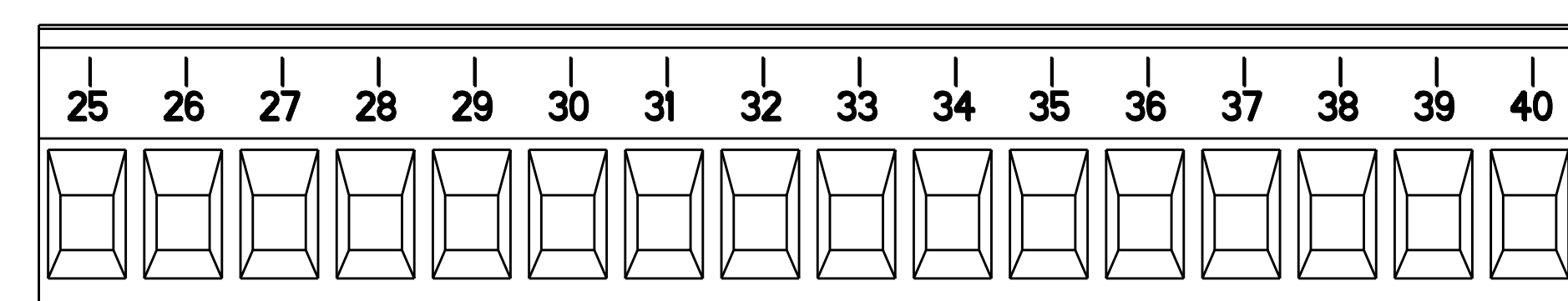
DETAIL T



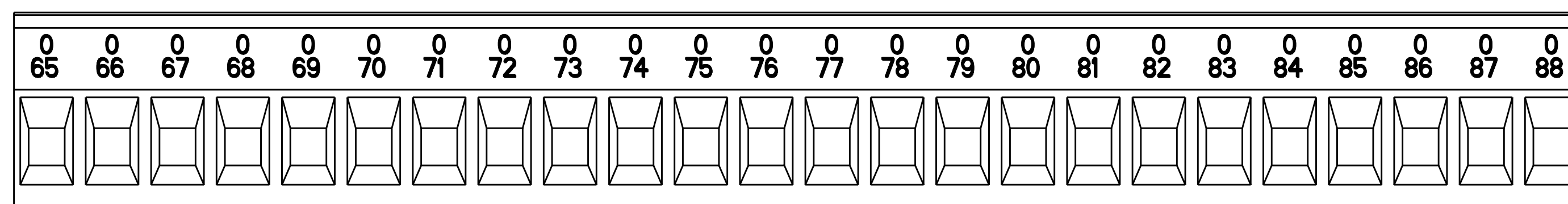
DETAIL G



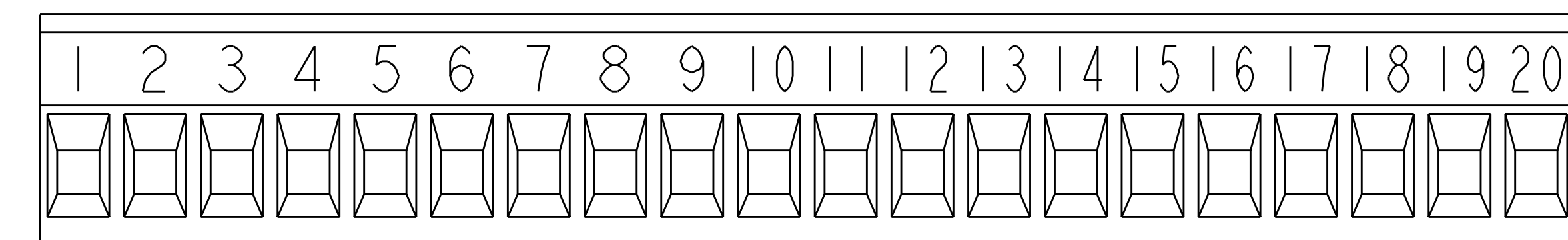
DETAIL V



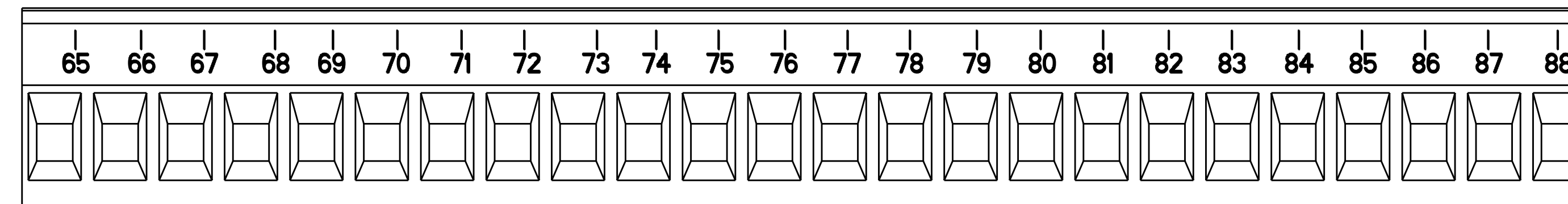
DETAIL M



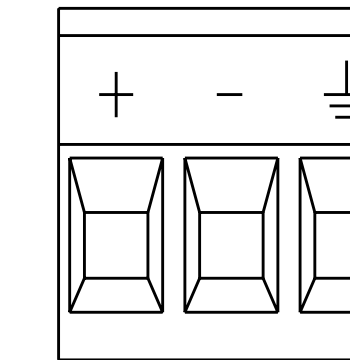
DETAIL H



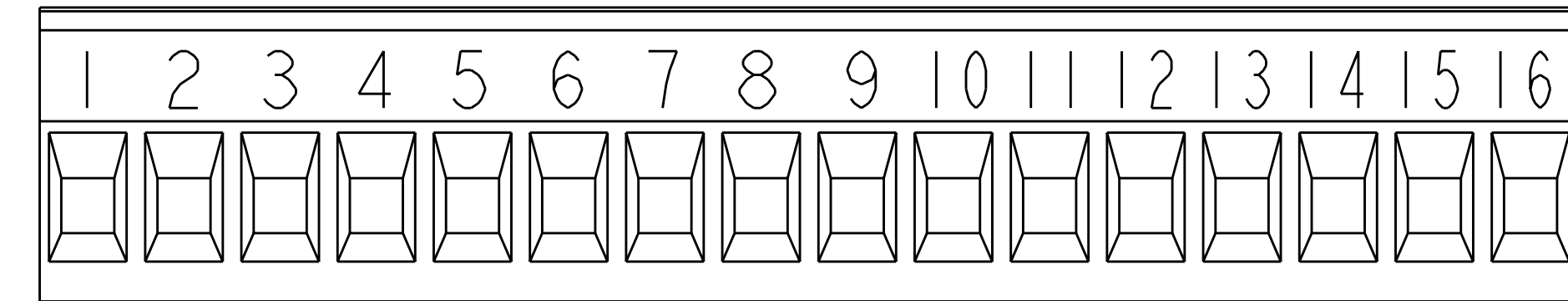
DETAIL W



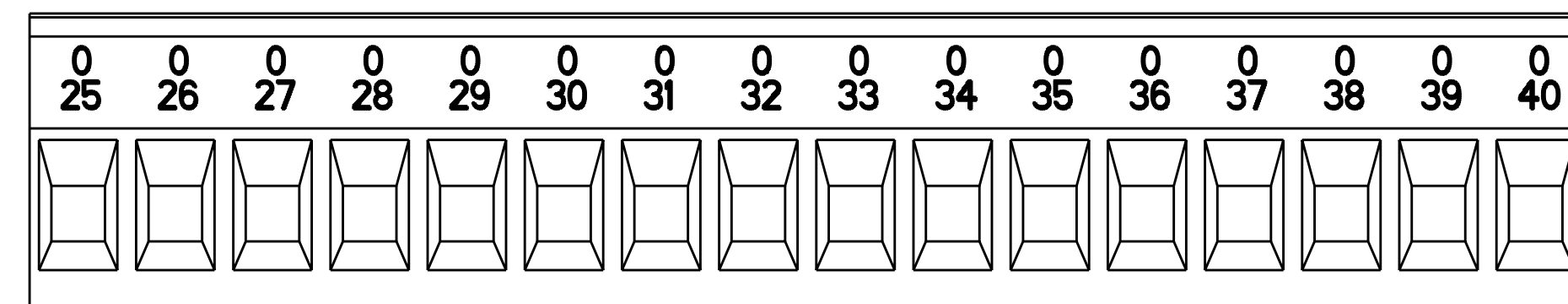
DETAIL J



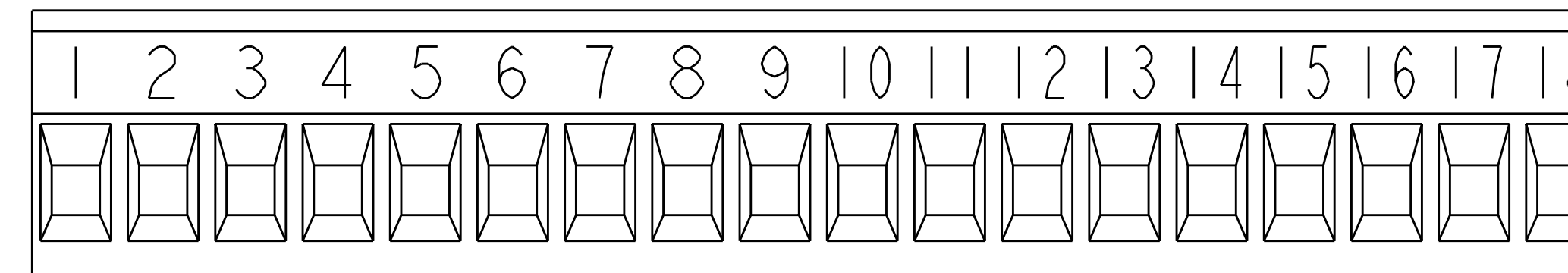
DETAIL X



DETAIL Y



DETAIL K



DETAIL Z

DIMENSIONS: mm 		TOLERANCES UNLESS OTHERWISE SPECIFIED: 0 PLC ± 1 PLC ±0.3 2 PLC ±0.25 3 PLC ± 4 PLC ± ANGLES ± FINISH #2		DWN S. WELDON 18OCT2000 CHK D. BIEVENOUR 18OCT2000 APVD D. BIEVENOUR 18OCT2000 PRODUCT SPEC APPLICATION SPEC WEIGHT CUSTOMER DRAWING		BUCHANAN Tyco Electronics Harrisburg, PA 17105-3608 NAME TERMINAL BLOCK, PLUG, STACKING, 5.08mm PITCH SIZE CAGE CODE DRAWING NO RESTRICTED TO A1 00779 C=796634 SCALE 3:1 SHEET 2 OF 2 REV R	
-----------------------	--	---	--	--	--	--	--