

Distributed by:

JAMECO[®]
ELECTRONICS

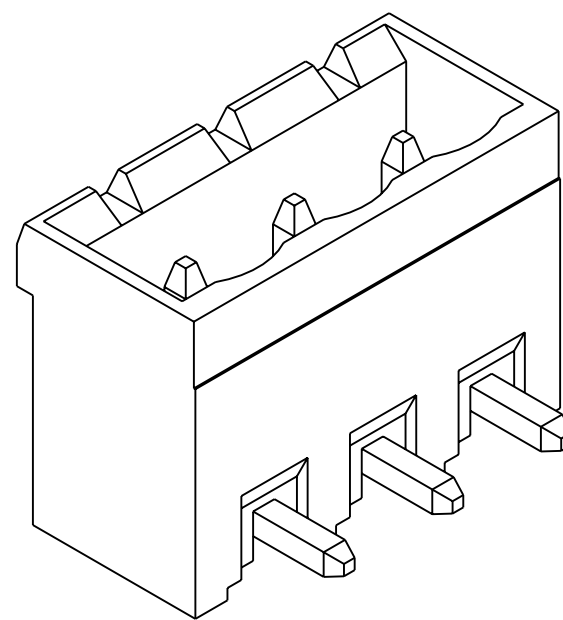
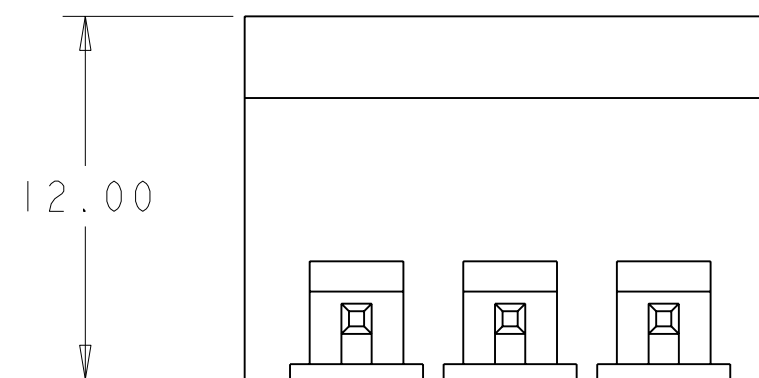
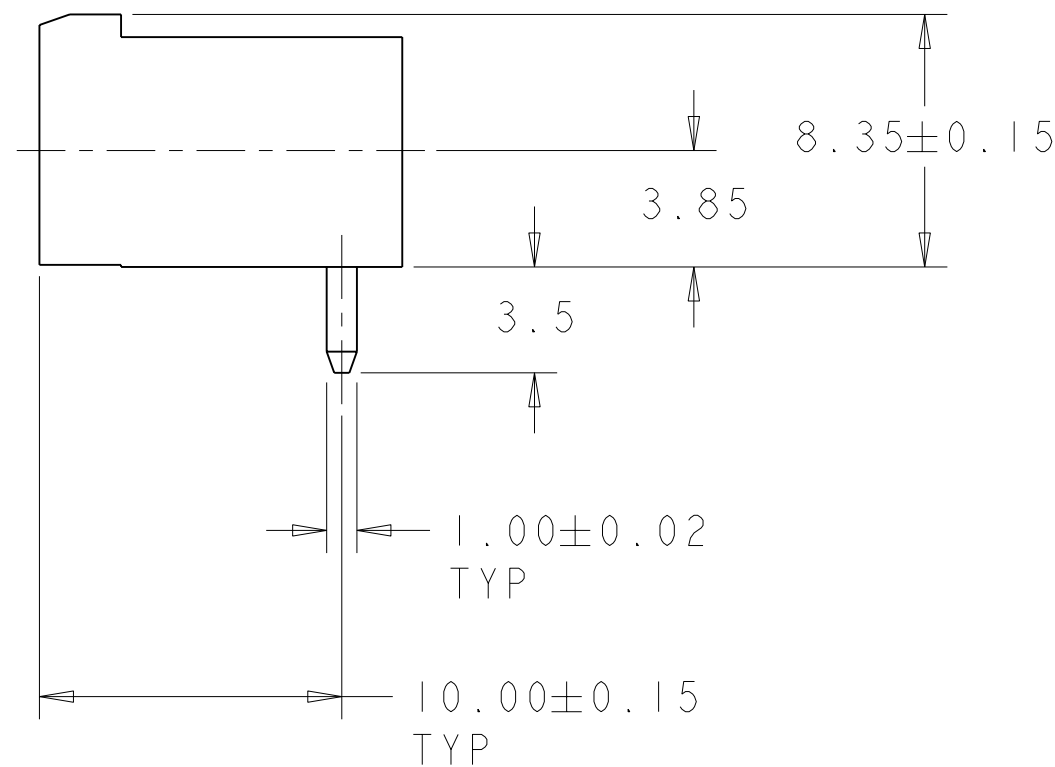
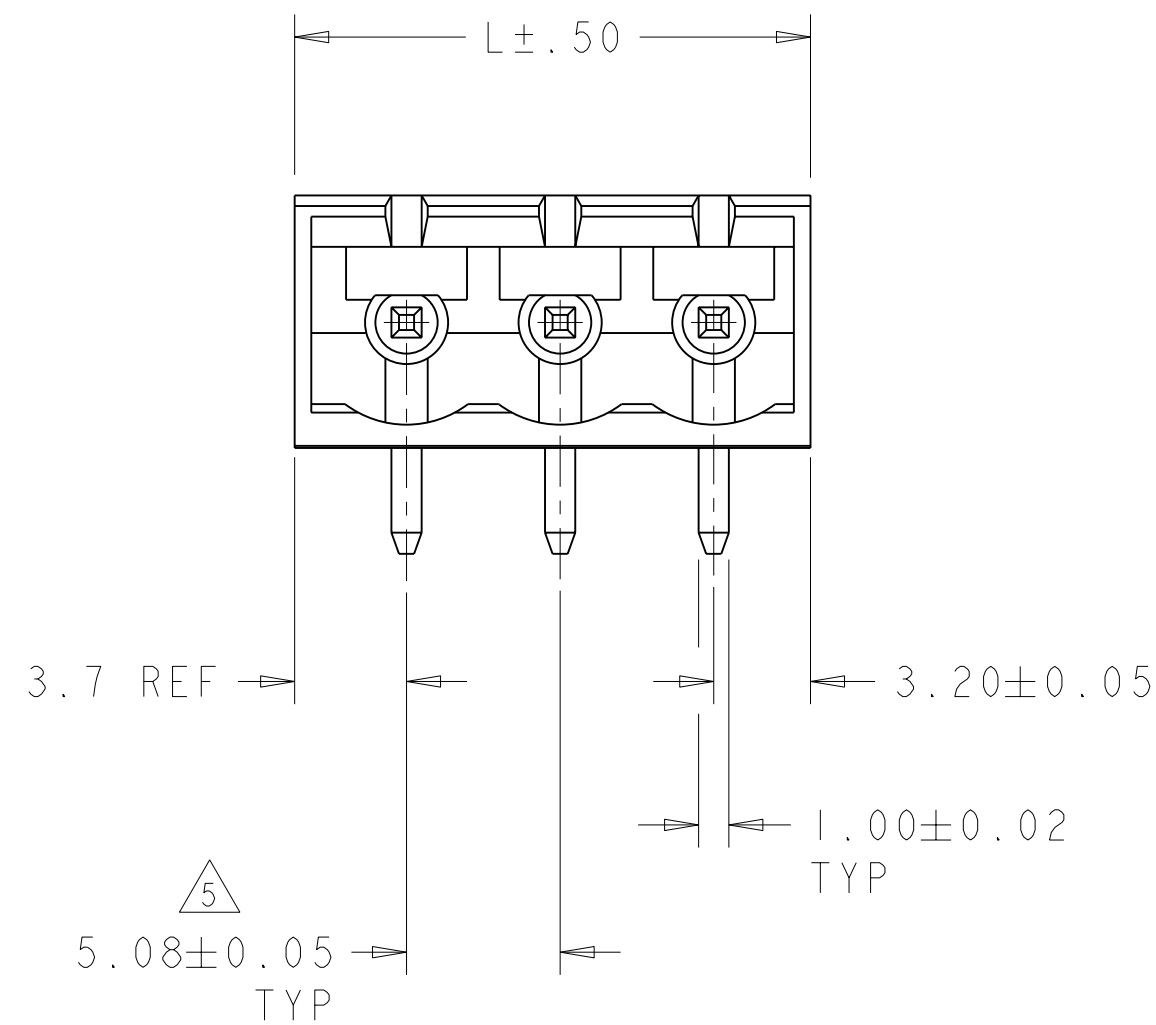
www.Jameco.com ♦ 1-800-831-4242

The content and copyrights of the attached
material are the property of its owner.

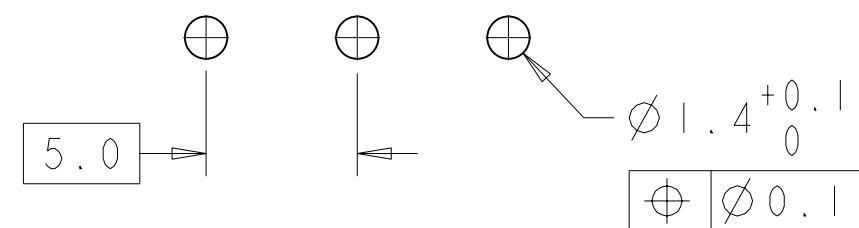
Jameco Part Number 759308

THIS DRAWING IS UNPUBLISHED. RELEASED FOR PUBLICATION 20
 © COPYRIGHT 20 BY TYCO ELECTRONICS CORPORATION. ALL RIGHTS RESERVED.

LOC	DIST	REVISIONS					
FT	0	P	LTR	DESCRIPTION	DATE	DWN	APVD
		A		RELEASED	19OCT2000	SW	DB
		B		REVISED PER 0G3B-0285-01	04MAY2001	EZ	DB
		C		REVISED EC 0G3B-0521-01	15APR2002	SW	DB
		CI		ADDED 2--7, ECO-05-007758	21SEP2005	SW	CR



796638-3 AS SHOWN



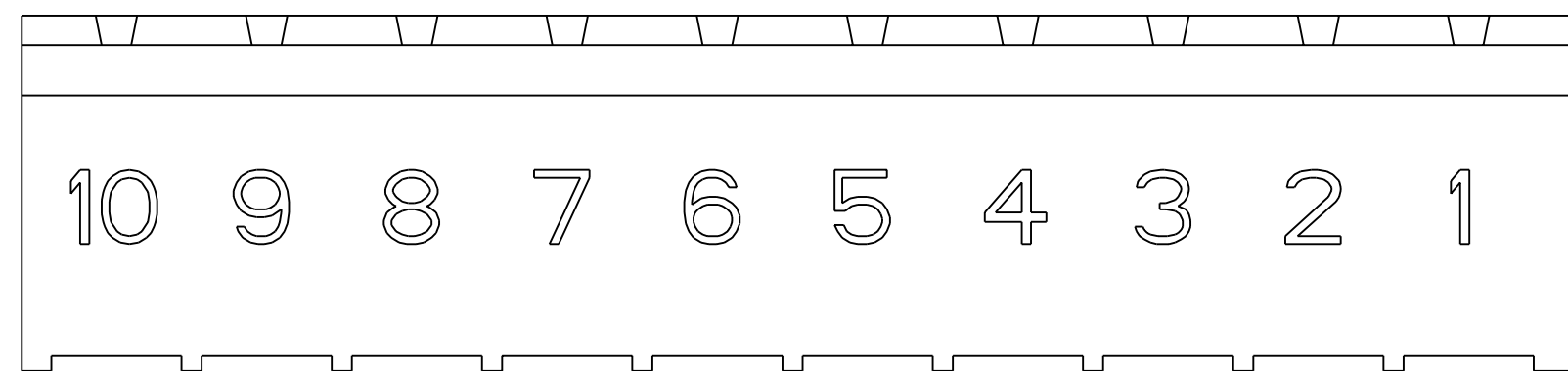
RECOMMENDED PC BOARD LAYOUT

-	△8	42.46	8	2-796638-7
△6	DETAIL L	52.62	10	2-796638-6
-	-	128.82	25	2-796638-5
-	-	123.74	24	2-796638-4
-	-	118.66	23	2-796638-3
-	-	113.58	22	2-796638-2
-	-	108.50	21	2-796638-1
-	-	103.42	20	2-796638-0
-	-	98.34	19	1-796638-9
-	-	93.26	18	1-796638-8
-	-	88.18	17	1-796638-7
-	-	83.10	16	1-796638-6
-	-	78.02	15	1-796638-5
-	-	72.94	14	1-796638-4
-	-	67.86	13	1-796638-3
-	-	62.78	12	1-796638-2
-	-	57.70	11	1-796638-1
-	-	52.62	10	1-796638-0
-	-	47.54	9	796638-9
-	-	42.46	8	796638-8
-	-	37.38	7	796638-7
-	-	32.30	6	796638-6
-	-	27.22	5	796638-5
-	-	22.14	4	796638-4
-	-	17.06	3	796638-3
-	-	11.98	2	796638-2
MARKING	SPECIAL	DIM L	NO OF POSN	PART NUMBER

THIS DRAWING IS A CONTROLLED DOCUMENT FOR TYCO ELECTRONICS CORPORATION. IT IS SUBJECT TO CHANGE AND THE CONTROLLING ENGINEERING ORGANIZATION SHOULD BE CONTACTED FOR THE LATEST REVISION.		DWN S. WELDON 19OCT2000	AMP Tyco Electronics Harrisburg, PA 17105-3608	
DIMENSIONS: mm		CHK D. BIEVENOUR 19OCT2000	NAME TERMI-BLOK HEADER ASSEMBLY, 90 DEGREE, CLOSED ENDS, 5.08mm PITCH	
TOLERANCES UNLESS OTHERWISE SPECIFIED: 0 PLC ± 1 PLC ±0.3 2 PLC ±0.25 3 PLC ± 4 PLC ± ANGLES ±		APVD D. BIEVENOUR 19OCT2000	RESTRICTED TO	
MATERIAL		PRODUCT SPEC	SIZE A2	CAGE CODE 00779
FINISH		APPLICATION SPEC	DRAWING NO C=796638	SCALE 4:1
		WEIGHT	SHEET 1 OF 2	
		CUSTOMER DRAWING	REV C1	

THIS DRAWING IS UNPUBLISHED. RELEASED FOR PUBLICATION 20
 © COPYRIGHT 20 BY TYCO ELECTRONICS CORPORATION. ALL RIGHTS RESERVED.

LOC	DIST	REVISIONS					
FT	0	P	LTR	DESCRIPTION	DATE	DWN	APVD
		-		SEE SHEET 1	-	-	-



DETAIL L

- 1. MATERIALS AND FINISH:
 HOUSING: PA 6-6, UL 94-V0, COLOR: GREEN.
 TERMINAL: PHOSPHOR BRONZE, TIN PLATED.
- 2. SUITABLE FOR 1,6-2, 4mm PC BOARD THICKNESS.
- 3. RECOGNIZED UNDER THE COMPONENT PROGRAM OF UNDERWRITERS LABORATORIES INC. FILE N° E60677.
- 4. IMQ CERTIFICATE WITH SURVEILLANCE IN CONFORMITY WITH IEC 998-1/998-2-1.
- 5. NOT CUMULATIVE TOLERANCE
- 6. INK MARKED WHITE.
- 7. BUCHANAN LOGO TO APPEAR ON HOUSING, LOCATION OPTIONAL WHERE SPACE PERMITS.
- 8. CONTACTS SELECTIVELY LOADED IN POSITIONS 1,2,4,5,7,8.

<small>THIS DRAWING IS A CONTROLLED DOCUMENT FOR TYCO ELECTRONICS CORPORATION IT IS SUBJECT TO CHANGE AND THE CONTROLLING ENGINEERING ORGANIZATION SHOULD BE CONTACTED FOR THE LATEST REVISION.</small>		DWN S. WELDON	19OCT2000	Tyco Electronics Harrisburg, PA 17105-3608
DIMENSIONS:		CHK D. BIEVENOUR	19OCT2000	
mm		APVD D. BIEVENOUR	19OCT2000	
		PRODUCT SPEC		
TOLERANCES UNLESS OTHERWISE SPECIFIED:		APPLICATION SPEC		NAME TERMI-BLOK HEADER ASSEMBLY, 90 DEGREE, CLOSED ENDS, 5.08mm PITCH
0 PLC	±-			SIZE A2
1 PLC	±-			CAGE CODE 00779
2 PLC	±-			DRAWING NO C=796638
3 PLC	±-			RESTRICTED TO
4 PLC	±-			
ANGLES	±-			
MATERIAL	FINISH	WEIGHT		SCALE 4:1
				SHEET 2 OF 2
CUSTOMER DRAWING				REV C1