

Distributed by:

JAMECO[®]
ELECTRONICS

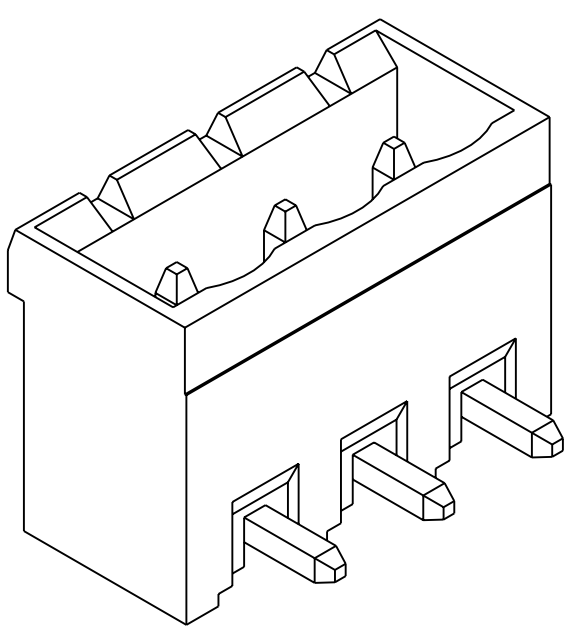
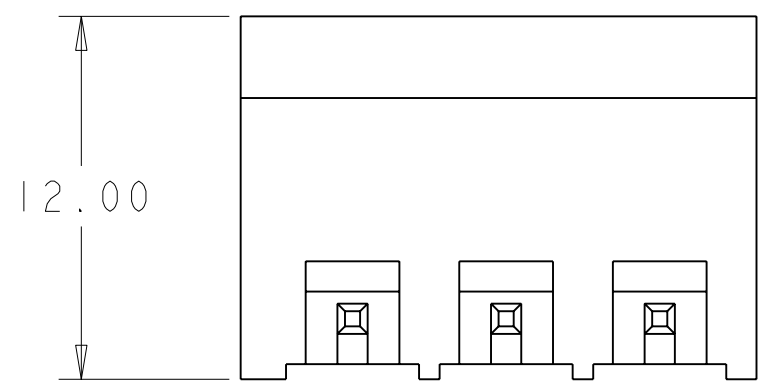
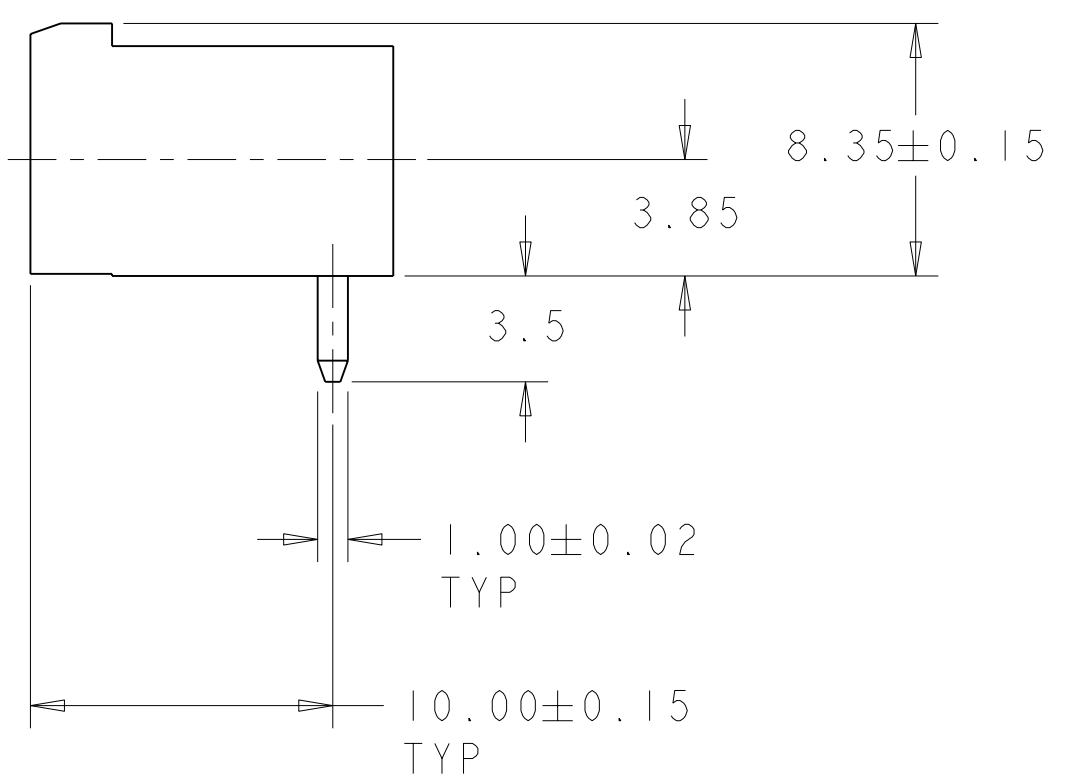
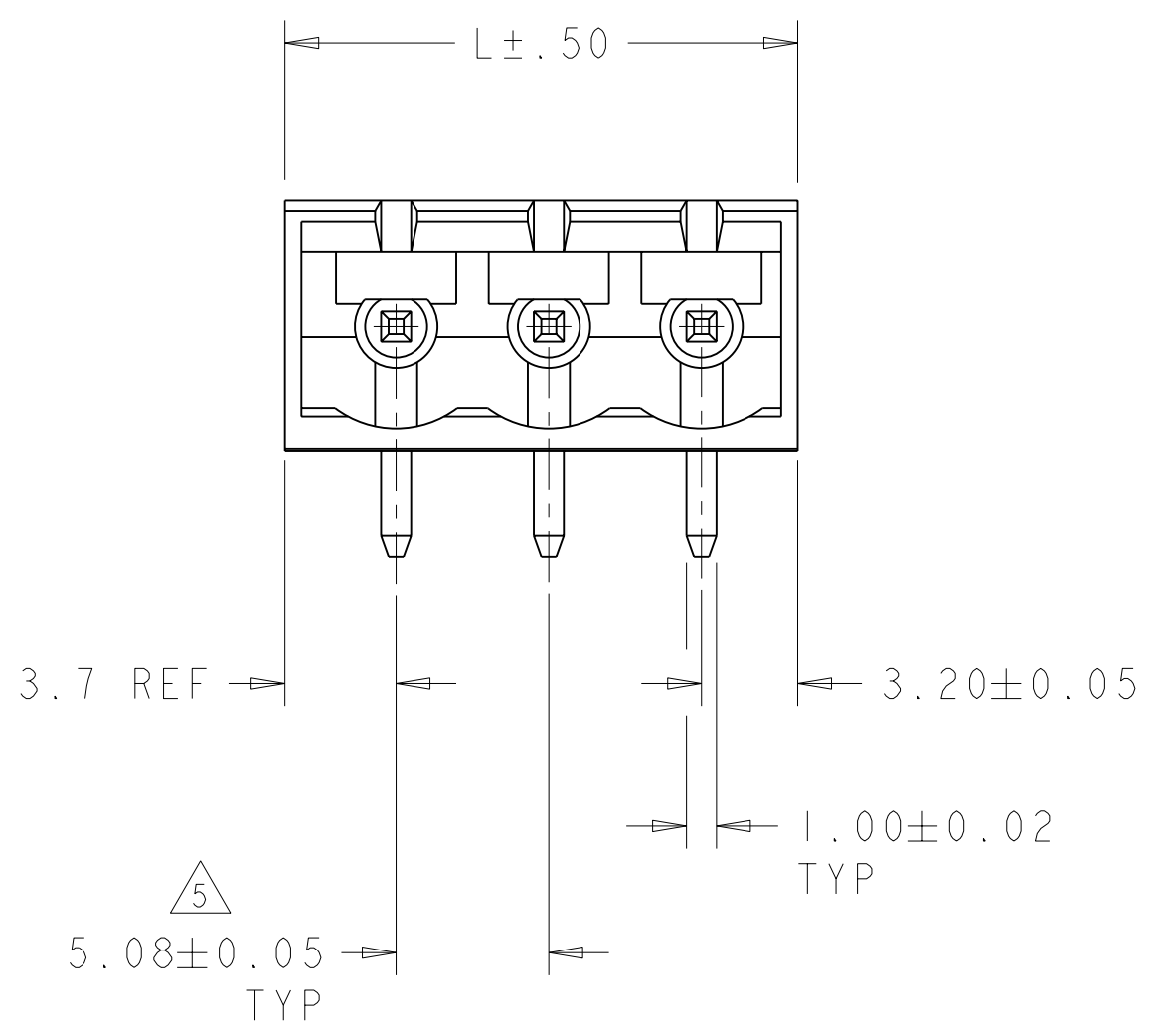
www.Jameco.com ♦ 1-800-831-4242

The content and copyrights of the attached
material are the property of its owner.

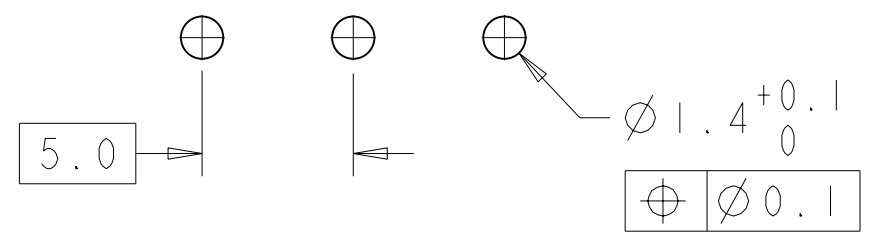
Jameco Part Number 759324

THIS DRAWING IS UNPUBLISHED. RELEASED FOR PUBLICATION 20
 © COPYRIGHT 20 BY TYCO ELECTRONICS CORPORATION. ALL RIGHTS RESERVED.

LOC		DIST		REVISIONS			
P	LTR	DESCRIPTION	DATE	DWN	APVD		
	A	RELEASED	19OCT2000	SW	DB		
	B	REVISED PER 0G3B-0285-01	04MAY2001	EZ	DB		
	C	REVISED EC 0G3B-0521-01	15APR2002	SW	DB		
	CI	ADDED 2--7, ECO-05-007758	21SEP2005	SW	CR		



796638-3 AS SHOWN



RECOMMENDED PC BOARD LAYOUT

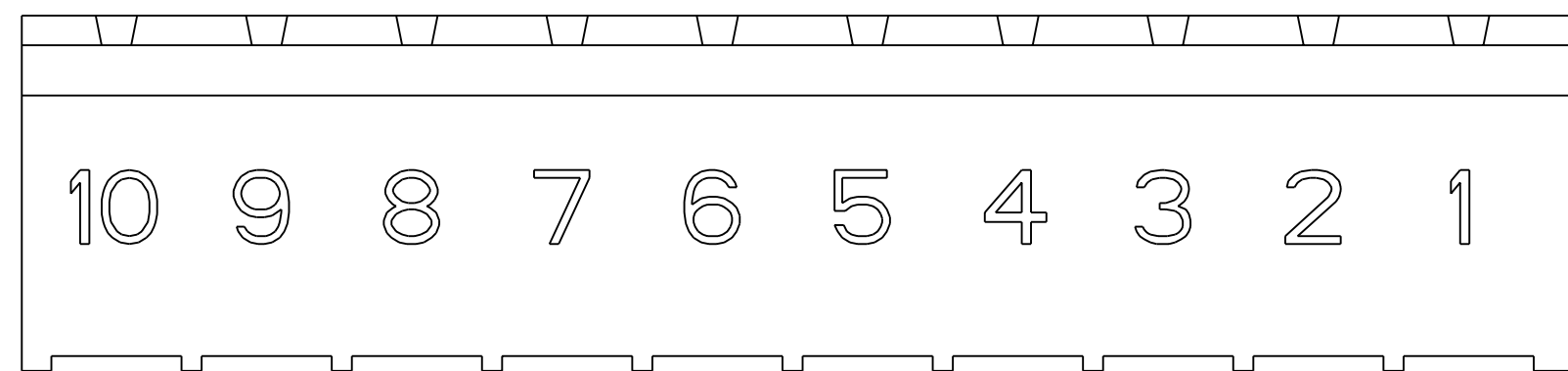
-	△8	42.46	8	2-796638-7
△6	DETAIL L	52.62	10	2-796638-6
-	-	128.82	25	2-796638-5
-	-	123.74	24	2-796638-4
-	-	118.66	23	2-796638-3
-	-	113.58	22	2-796638-2
-	-	108.50	21	2-796638-1
-	-	103.42	20	2-796638-0
-	-	98.34	19	1-796638-9
-	-	93.26	18	1-796638-8
-	-	88.18	17	1-796638-7
-	-	83.10	16	1-796638-6
-	-	78.02	15	1-796638-5
-	-	72.94	14	1-796638-4
-	-	67.86	13	1-796638-3
-	-	62.78	12	1-796638-2
-	-	57.70	11	1-796638-1
-	-	52.62	10	1-796638-0
-	-	47.54	9	796638-9
-	-	42.46	8	796638-8
-	-	37.38	7	796638-7
-	-	32.30	6	796638-6
-	-	27.22	5	796638-5
-	-	22.14	4	796638-4
-	-	17.06	3	796638-3
-	-	11.98	2	796638-2
MARKING	SPECIAL	DIM L	NO OF POSN	PART NUMBER

THIS DRAWING IS A CONTROLLED DOCUMENT FOR TYCO ELECTRONICS CORPORATION. IT IS SUBJECT TO CHANGE AND THE CONTROLLING ENGINEERING ORGANIZATION SHOULD BE CONTACTED FOR THE LATEST REVISION.

DWN	S. WELDON	19OCT2000	Tyco Electronics Harrisburg, PA 17105-3608
CHK	D. BIEVENOUR	19OCT2000	
APVD	D. BIEVENOUR	19OCT2000	
DIMENSIONS: mm TOLERANCES UNLESS OTHERWISE SPECIFIED: 0 PLC ± 1 PLC ±0.3 2 PLC ±0.25 3 PLC ± 4 PLC ± ANGLES ± FINISH			NAME TERMI-BLOK HEADER ASSEMBLY, 90 DEGREE, CLOSED ENDS, 5.08mm PITCH
MATERIAL	FINISH	WEIGHT	SIZE: A2 CAGE CODE: 00779 DRAWING NO: C=796638 RESTRICTED TO: -
CUSTOMER DRAWING			SCALE: 4:1 SHEET 1 OF 2 REV C1

THIS DRAWING IS UNPUBLISHED. RELEASED FOR PUBLICATION 20
 © COPYRIGHT 20 BY TYCO ELECTRONICS CORPORATION. ALL RIGHTS RESERVED.

LOC	DIST	REVISIONS					
FT	0	P	LTR	DESCRIPTION	DATE	DWN	APVD
		-		SEE SHEET 1	-	-	-



DETAIL L

- 1. MATERIALS AND FINISH:
HOUSING: PA 6-6, UL 94-V0, COLOR: GREEN.
TERMINAL: PHOSPHOR BRONZE, TIN PLATED.
- 2. SUITABLE FOR 1,6-2, 4mm PC BOARD THICKNESS.
- 3. RECOGNIZED UNDER THE COMPONENT PROGRAM OF UNDERWRITERS LABORATORIES INC. FILE N° E60677.
- 4. IMQ CERTIFICATE WITH SURVEILLANCE IN CONFORMITY WITH IEC 998-1/998-2-1.
- 5. NOT CUMULATIVE TOLERANCE
- 6. INK MARKED WHITE.
- 7. BUCHANAN LOGO TO APPEAR ON HOUSING, LOCATION OPTIONAL WHERE SPACE PERMITS.
- 8. CONTACTS SELECTIVELY LOADED IN POSITIONS 1,2,4,5,7,8.

<small>THIS DRAWING IS A CONTROLLED DOCUMENT FOR TYCO ELECTRONICS CORPORATION IT IS SUBJECT TO CHANGE AND THE CONTROLLING ENGINEERING ORGANIZATION SHOULD BE CONTACTED FOR THE LATEST REVISION.</small>		DWN S. WELDON	19OCT2000	Tyco Electronics Harrisburg, PA 17105-3608
DIMENSIONS: mm		CHK D. BIEVENOUR	19OCT2000	
		APVD D. BIEVENOUR	19OCT2000	
TOLERANCES UNLESS OTHERWISE SPECIFIED: 0 PLC ±- 1 PLC ±- 2 PLC ±- 3 PLC ±- 4 PLC ±- ANGLES ±-		PRODUCT SPEC -	NAME TERMI-BLOK HEADER ASSEMBLY, 90 DEGREE, CLOSED ENDS, 5.08mm PITCH	
MATERIAL - FINISH -		APPLICATION SPEC -	WEIGHT -	RESTRICTED TO -
		SIZE A2	CAGE CODE 00779	DRAWING NO C=796638
		CUSTOMER DRAWING		SCALE 4:1 SHEET 2 OF 2 REV C1