

Distributed by:

JAMECO[®]
ELECTRONICS

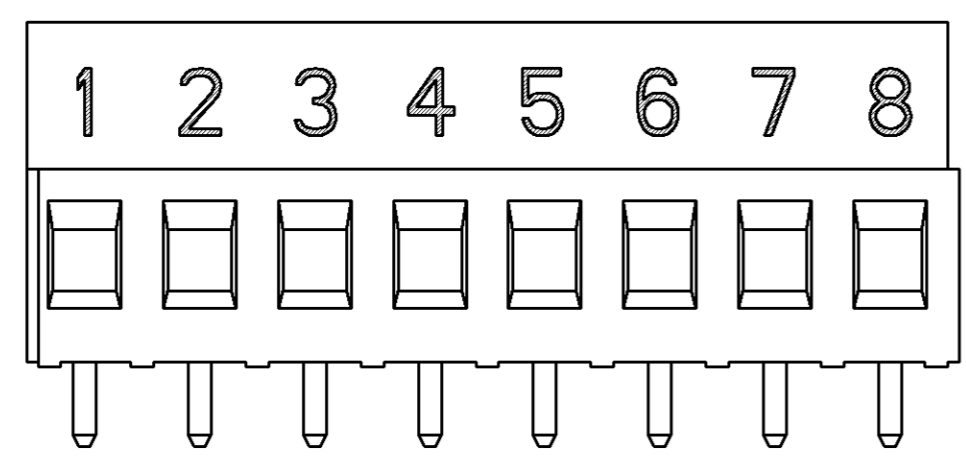
www.Jameco.com ♦ 1-800-831-4242

The content and copyrights of the attached
material are the property of its owner.

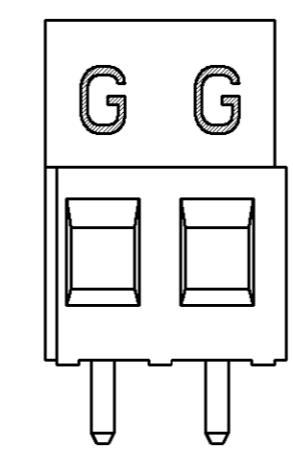
Jameco Part Number 840499

THIS DRAWING IS UNPUBLISHED. RELEASED FOR PUBLICATION 20
 © COPYRIGHT 20 BY TYCO ELECTRONICS CORPORATION. ALL RIGHTS RESERVED.

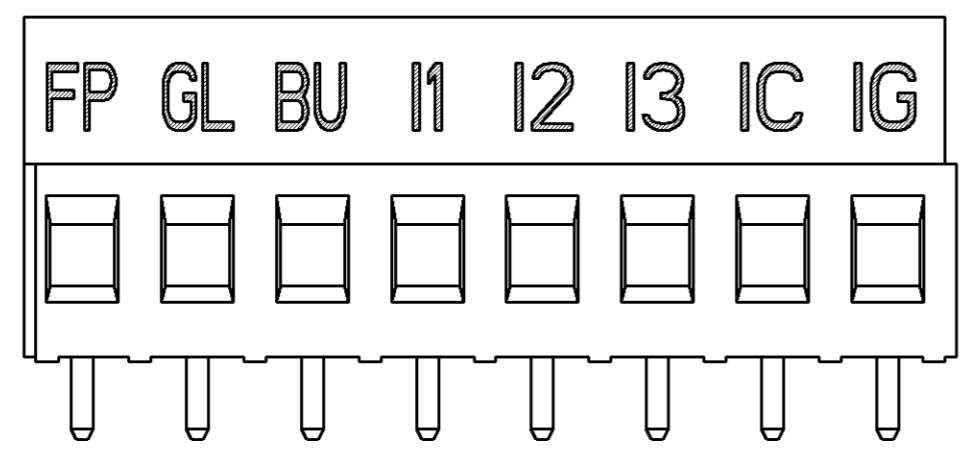
| LOC | DIST | REVISIONS | | | | | |
|-----|------|-----------|-----|-------------|------|-----|------|
| FT | 0 | P | LTR | DESCRIPTION | DATE | DWN | APVD |
| | | - | | SEE SHEET 1 | - | - | - |
| | | | | | | | |
| | | | | | | | |



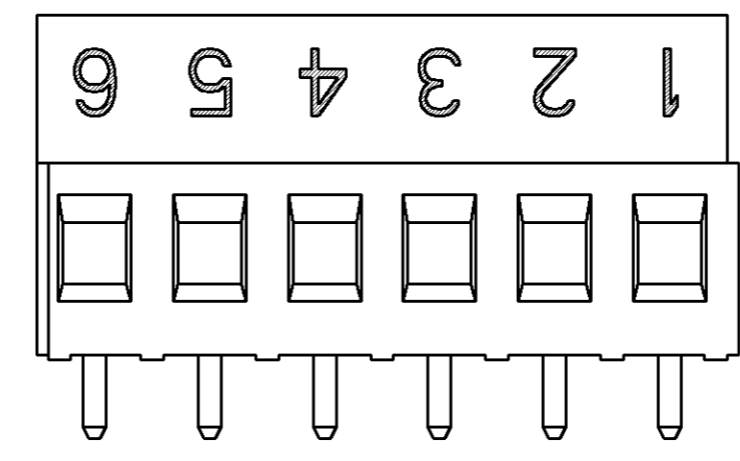
DETAIL L \triangle 8



DETAIL N \triangle 8



DETAIL M \triangle 8



DETAIL P \triangle 8

| | | | | |
|---|--|--|---|-----------------|
| <small>THIS DRAWING IS A CONTROLLED DOCUMENT FOR TYCO ELECTRONICS CORPORATION IT IS SUBJECT TO CHANGE AND THE CONTROLLING ENGINEERING ORGANIZATION SHOULD BE CONTACTED FOR THE LATEST REVISION.</small> | | DWN S. WELDON 22AUG2001 CHK D. BIEVENOUR 22AUG2001 APVD D. BIEVENOUR 22AUG2001 | Tyco Electronics Harrisburg, PA 17105-3608 | |
| DIMENSIONS: mm | TOLERANCES UNLESS OTHERWISE SPECIFIED: 0 PLC ± 0 1 PLC $\pm .3$ 2 PLC $\pm .25$ 3 PLC ± 0 4 PLC ± 0 ANGLES $\pm 2^\circ$ FINISH - | PRODUCT SPEC - APPLICATION SPEC - WEIGHT - | NAME TERMINAL BLOCK PCB MOUNT W/INTERLOCK, 5.08mm PITCH | |
| MATERIAL - | | CUSTOMER DRAWING | SIZE A2 CAGE CODE 00779 DRAWING NO. 796949 | RESTRICTED TO - |
| SCALE 4:1 | | | SHEET 2 OF 2 | REV D |

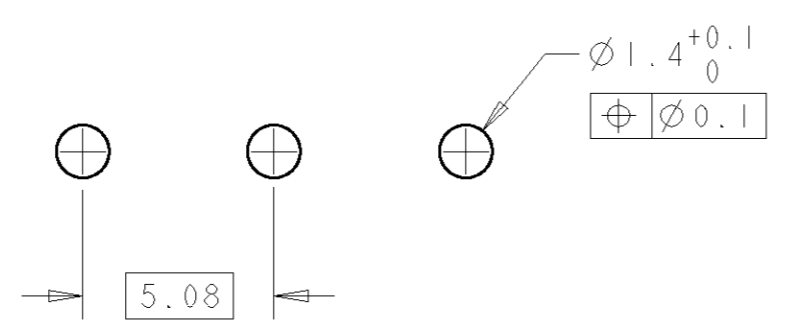
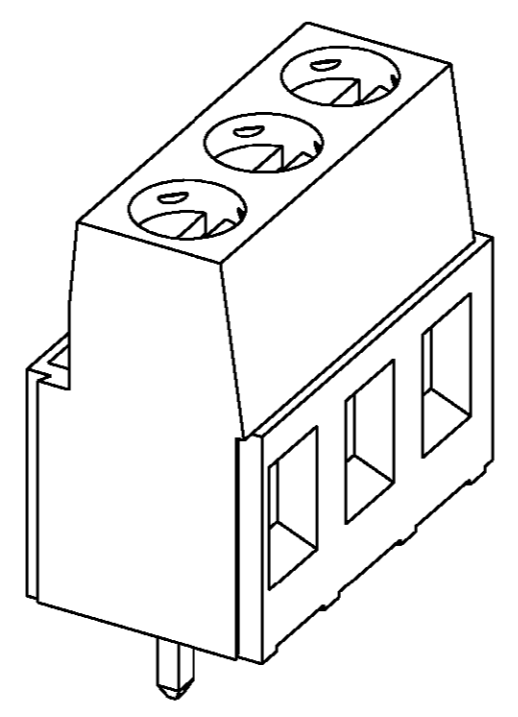
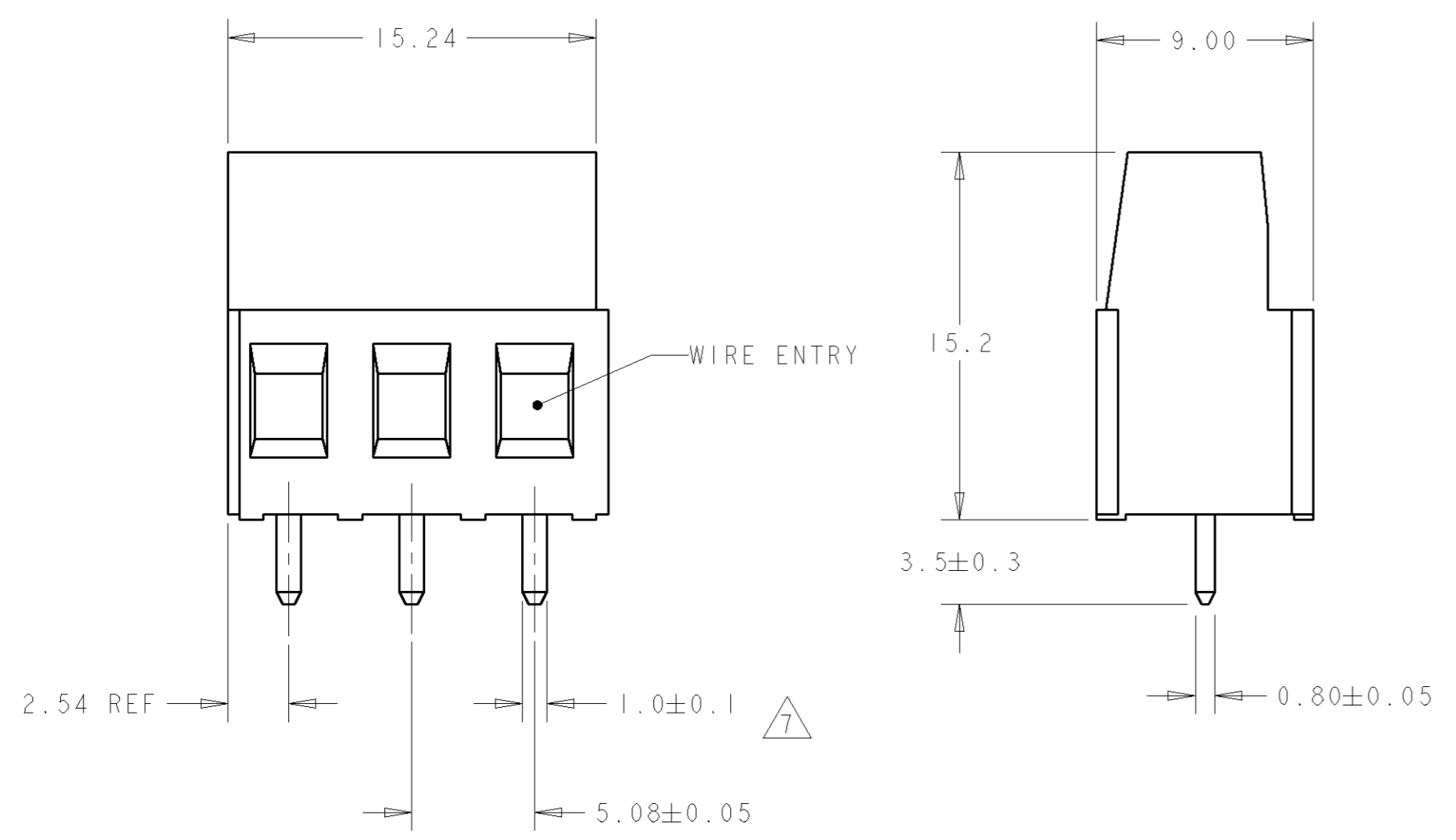
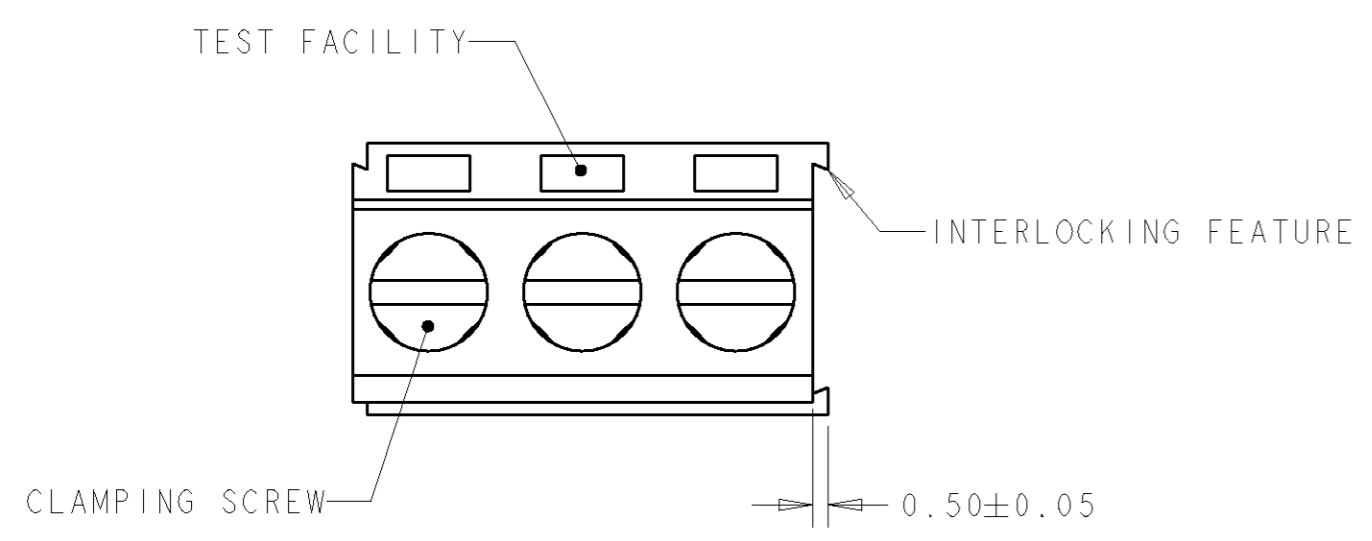
THIS DRAWING IS UNPUBLISHED. RELEASED FOR PUBLICATION 20
 © COPYRIGHT 20 BY TYCO ELECTRONICS CORPORATION. ALL RIGHTS RESERVED.

| LOC | DIST | REVISIONS | | | | | |
|-----|------|-----------|-----|--------------------------|-----------|-----|------|
| FT | 0 | P | LTR | DESCRIPTION | DATE | DWN | APVD |
| | | A | | RELEASED EC 063B-0471-01 | 22AUG2001 | - | - |
| | | B | | REVISED PER 063B-0127-02 | 21MAR2002 | EZ | DB |
| | | C | | REVISED EC 063B-0423-02 | 05JUN2003 | SW | CR |
| | | D | | REVISED EC 063B-0144-03 | 06JUN2003 | SW | CR |

1. MATERIALS AND FINISH:
 HOUSING: PA 6-6, UL 94-V0, COLOR:BLACK.
 CLAMP: BRASS, NICKEL PLATED.
 TERMINAL: BRASS, TIN PLATED.
 CLAMPING SCREW: M3, BRASS, NICKEL PLATED.

- SUITABLE FOR 1,6-2,4mm. PCB THICKNESS.
- END-TO-END STACKABLE W/INTERLOCK WITHOUT LOSS OF CENTERLINE SPACING.
- WIRE SIZE RANGE: 12 - 30 AWG
- RECOGNIZED UNDER THE COMPONENT PROGRAM OF UNDERWRITERS LABORATORIES INC. FILE No E60677.
- IMQ CERTIFICATE WITH SURVEILLANCE IN CONFORMITY WITH IEC 998-1/998-2-1.

- NOT CUMULATIVE TOLERANCE.
- WHITE INK STAMPING.
- BUCHANAN LOGO TO APPEAR ON HOUSING, LOCATION OPTIONAL, WHERE SPACE PERMITS.



RECOMMENDED PC BOARD LAYOUT
 SCALE 5:1

| | | | |
|--------------|--------|------|-------------|
| SEE DETAIL P | 30.48 | 6 | 3-796949-1 |
| SEE DETAIL N | 10.16 | 2 | 3-796949-0 |
| SEE DETAIL M | 40.64 | 8 | 2-796949-9 |
| SEE DETAIL L | 40.64 | 8 | 2-796949-8 |
| - | 127.00 | 25 | 2-796949-5 |
| - | 121.92 | 24 | 2-796949-4 |
| - | 116.84 | 23 | 2-796949-3 |
| - | 111.76 | 22 | 2-796949-2 |
| - | 106.68 | 21 | 2-796949-1 |
| - | 101.60 | 20 | 2-796949-0 |
| - | 96.52 | 19 | 1-796949-9 |
| - | 91.44 | 18 | 1-796949-8 |
| - | 86.36 | 17 | 1-796949-7 |
| - | 81.28 | 16 | 1-796949-6 |
| - | 76.20 | 15 | 1-796949-5 |
| - | 71.12 | 14 | 1-796949-4 |
| - | 66.04 | 13 | 1-796949-3 |
| - | 60.96 | 12 | 1-796949-2 |
| - | 55.88 | 11 | 1-796949-1 |
| - | 50.80 | 10 | 1-796949-0 |
| - | 45.72 | 9 | 796949-9 |
| - | 40.64 | 8 | 796949-8 |
| - | 35.56 | 7 | 796949-7 |
| - | 30.48 | 6 | 796949-6 |
| - | 25.40 | 5 | 796949-5 |
| - | 20.32 | 4 | 796949-4 |
| - | 15.24 | 3 | 796949-3 |
| - | 10.16 | 2 | 796949-2 |
| MARKING | A | POSN | PART NUMBER |

| | | | | |
|---|--|-----------------------------------|--|--------------------|
| THIS DRAWING IS A CONTROLLED DOCUMENT FOR TYCO ELECTRONICS CORPORATION. IT IS SUBJECT TO CHANGE AND THE CONTROLLING ENGINEERING ORGANIZATION SHOULD BE CONTACTED FOR THE LATEST REVISION. | | DWN S. WELDON 22AUG2001 | Tyco Electronics Harrisburg, PA 17105-3608 | |
| DIMENSIONS: mm | | CHK D. BIEVENOUR 22AUG2001 | NAME TERMINAL BLOCK PCB MOUNT W/INTERLOCK, 5.08mm PITCH | |
| TOLERANCES UNLESS OTHERWISE SPECIFIED: 0 PLC ±0 1 PLC ±.3 2 PLC ±.25 3 PLC ±0 4 PLC ±0 ANGLES ±2° FINISH | | APVD D. BIEVENOUR 22AUG2001 | PRODUCT SPEC - | RESTRICTED TO - |
| MATERIAL | | APPLICATION SPEC - | WEIGHT - | SIZE A2 |
| | | CUSTOMER DRAWING | SCALE 4:1 | SHEET 1 OF 2 |
| | | | DRAWING NO. 796949 | REV D |