

LOC A	DIST —	REVISIONS					
		P	LTR	DESCRIPTION	DATE	DWN	APVD
ÄNDERUNGEN, DIE DEM TECHNISCHEN FORT-SCHRITT DIENEN, BEHALTEN WIR UNS VOR		P1		P/N: 826936-4 REACTIVATION	25AUG11	MHM	RP


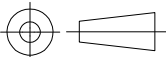
POS.	PART-NO.		
—	—	—	
2	826 936 -2		
3		-3	
4		-4	
5		-5	OBSOLETE
6		-6	
7		-7	
8		-8	OBSOLETE
9		-9	
10	1-	-0	
11	1-	-1	OBSOLETE
12	1-	-2	
13	1-	-3	
14	1-	-4	OBSOLETE
15	1-	-5	
16	1-	-6	
17	1-	-7	
18	1-	-8	
19	1-	-9	
20	2-	-0	
21	2-	-1	
22	2-	-2	
23	2-	-3	
24	2-	-4	
25	2-	-5	
26	2-	-6	
27	2-	-7	OBSOLETE
28	2-	-8	
29	2-	-9	
30	3-	-0	
31	3-	-1	
32	3-	-2	
33	3-	-3	
34	3-	-4	
35	3-	-5	
36	3-	-6	
37	3-	-7	
38	3-	-8	
39	3-	-9	
40	4-	-0	
41	4-	-1	
42	4-	-2	OBSOLETE
43	4-	-3	
44	4-	-4	
45	4-	-5	
46	4-	-6	
47	4-	-7	
48	4-	-8	
49	4-	-9	
50	5- 826 936 -0		

SIEHE ZEICHNUNG
826 629 BLATT 1

SEE DESIGN
826629 SHEET 1

VON DIESER ZEICHNUNG GIBT ES KEIN ORIGINAL

BESTELL-NR.	WERKSTOFF	OBERFLÄCHE
		FARBE

DIMENSIONS: mm	DWN	—	MATERIAL	—	FINISH	—
	CHK	—	 TE Connectivity			
TOLERANCES UNLESS OTHERWISE SPECIFIED:	APVD	—				
0 PLC ± -	PRODUCT SPEC	—	NAME			
1 PLC ± -			AMPMODU II STIFTLAISTE			
2 PLC ± -	APPLICATION SPEC	—	EINREIHIG			
3 PLC ± -			SIZE	CAGE CODE	DRAWING NO	RESTRICTED TO
4 PLC ± -			A4	00779	C-826936	—
ANGLES ± -	WEIGHT	—	CUSTOMER DRAWING			
			SCALE	—	SHEET	1 OF 1
			REV P1			