

Distributed by:

JAMECO[®]
ELECTRONICS

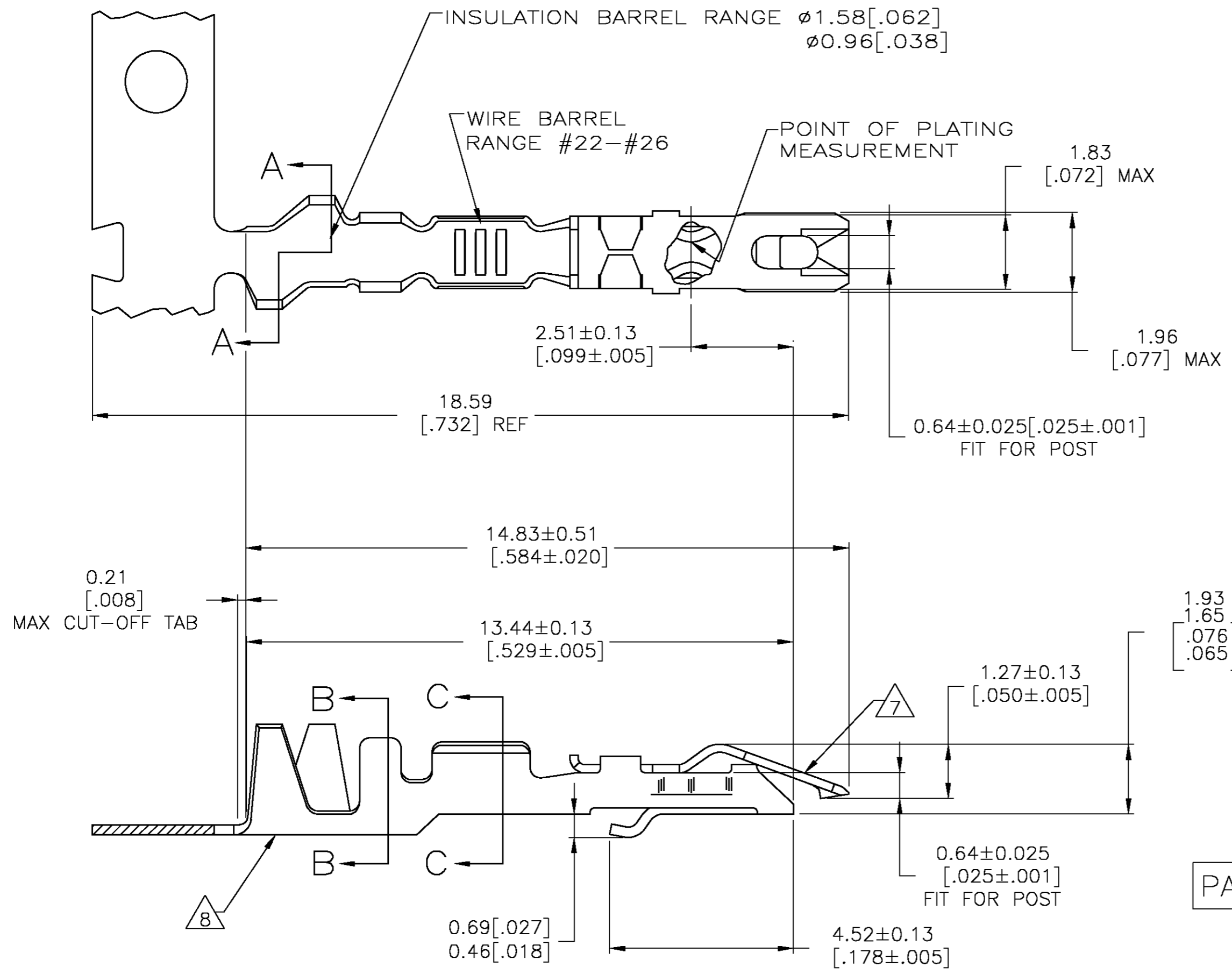
www.Jameco.com ♦ 1-800-831-4242

The content and copyrights of the attached
material are the property of its owner.

Jameco Part Number 987132

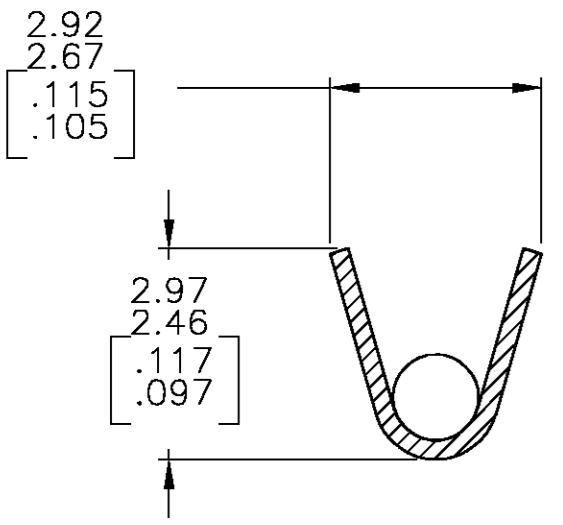
THIS DRAWING IS UNPUBLISHED. RELEASED FOR PUBLICATION
 © COPYRIGHT BY TYCO ELECTRONICS CORPORATION. ALL RIGHTS RESERVED.

LOC	DIST	REVISIONS					
AD	00	P	LTR	DESCRIPTION	DATE	DWN	APVD
		S		EC 0G3C 0207 05	05APR05	BSV	DLS

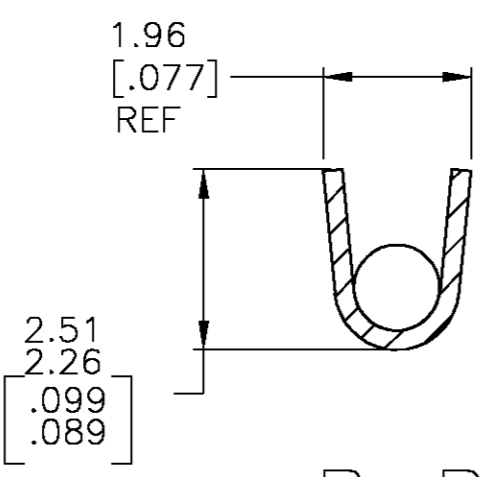


- 1 REELED FOR MINI-APPLICATOR.
- 2 REELED FOR STRIPPER CRIMPER.
- 3 PLATED WITH 0.00076[.000030] GOLD IN CONTACT AREA, GOLD FLASH ON REMAINDER, OVER 0.00127[.000050] NICKEL.
- 4 PLATED WITH 0.00127[.000050] GOLD IN CONTACT AREA, GOLD FLASH ON REMAINDER, OVER 0.00127[.000050] NICKEL.
- 5 PLATED WITH 0.00254[.000100] TIN-LEAD OVER 0.00127[.000050] NICKEL - ENTIRE CONTACT.
- 6 PLATED WITH 0.00127[.000050] GOLD OVER 0.00127[.000050] NICKEL - ENTIRE CONTACT.
- 7 SPRING MATERIAL: STAINLESS STEEL.
- 8 BODY MATERIAL: PHOS BRONZE - FINISH: SEE TABLE.
- 9 PLATED WITH .000100 TIN OVER .000050 NICKEL OVER ENTIRE CONTACT.

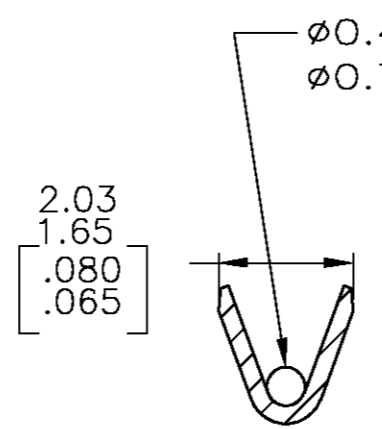
PART NUMBER 1-87124-2 SUPERCEDED BY 5-87124-2



A-A
(ROTATED 90° CLOCKWISE)



B-B



C-C

$\phi 0.46[.018]$ MUST BOTTOM IN WIRE BARREL
 $\phi 0.79[.031]$ MUST NOT BOTTOM IN WIRE BARREL.

OBsolete
OBsolete

1	9	5-87165-2	5-87124-2
1	9	-	1-87124-2
2	3	87165-1	1-87124-1
-	6	87165-4	87124-4
1	4	87165-3	87124-3
1	5	87165-2	87124-2
1	3	87165-1	87124-1
REMARKS	BODY FINISH	PART NO (LOOSE PIECE)	PART NUMBER (STRIP)

DIMENSIONS:		TOLERANCES UNLESS OTHERWISE SPECIFIED:		MATERIAL		WEIGHT		SCALE		SHEET		REV	
mm	[INCHES]	0 PLC	± -	SEE CALLOUT	SEE TABLE	-	-	10:1	1	1	1	S	
THIS DRAWING IS A CONTROLLED DOCUMENT.				DWN E. BRANDBERG 23SEP94		Tyco Electronics Corporation Harrisburg, Pa 17105-3608		A2		00779		C=87124	
APVD D. DUPLER 23SEP94				PRODUCT SPEC		APPLICATION SPEC		CUSTOMER DRAWING		SCALE 10:1		SHEET 1 OF 1	
CONTACT - LOCKING CLIP FOR 0.64[.025] SQUARE POST				FINISH		WEIGHT		SCALE		SHEET		REV	