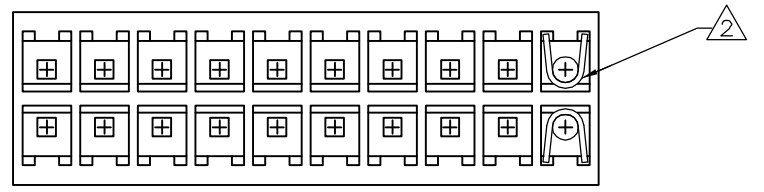


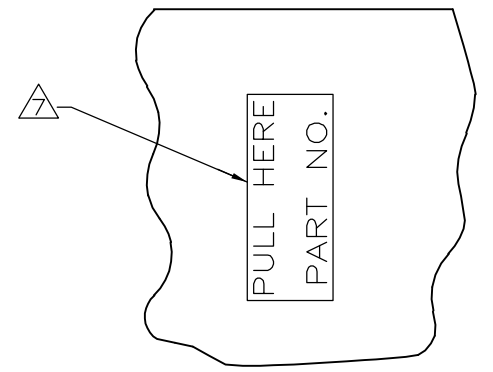
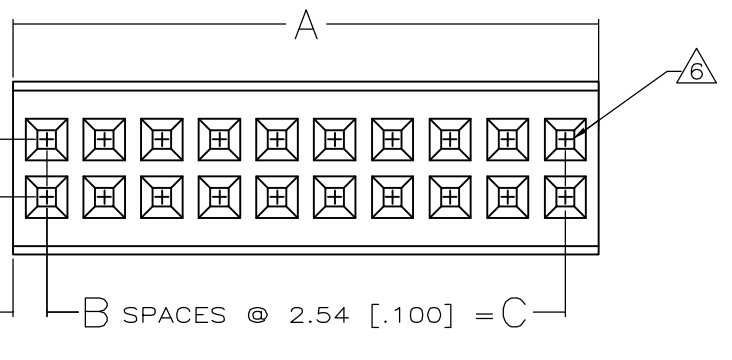
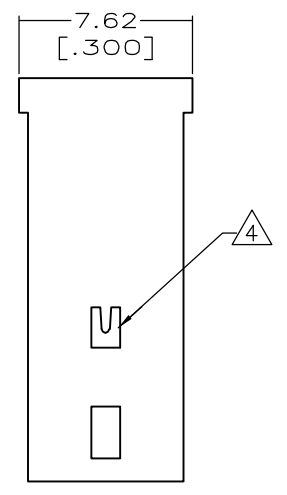
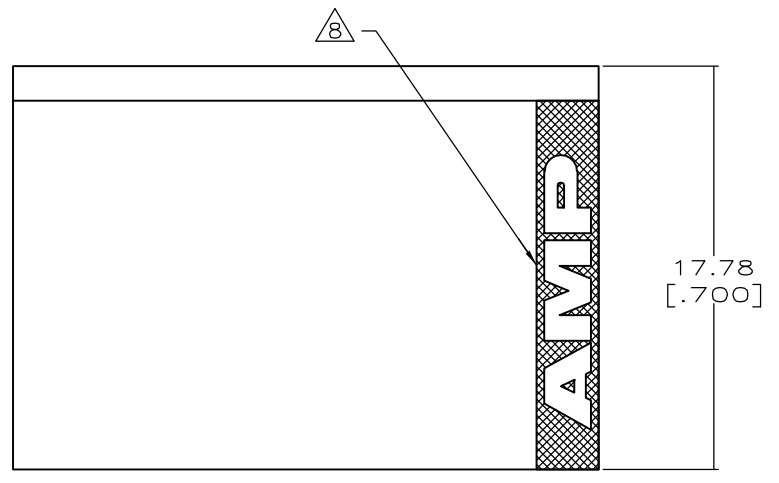
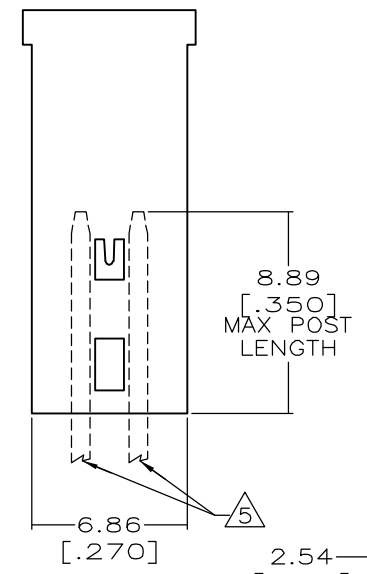
THIS DRAWING IS UNPUBLISHED. RELEASED FOR PUBLICATION
 © COPYRIGHT BY TYCO ELECTRONICS CORPORATION. ALL RIGHTS RESERVED.

LOC	DIST	REVISIONS			
P	LTR	DESCRIPTION	DATE	DWN	APVD
AD	00	P	ECO-05-011134	27OCT2006	RB MM



1. PULL ON HOUSING TO REMOVE FROM POSTS. DO NOT CONFINE THE CONDUCTORS OR PULL ON THE CONDUCTORS DURING REMOVAL ACTION.

- 2 ACCEPTS CONTACT P/N 87124.
- 4 EXTRACTION SLOT MAY BE PARTIALLY FLASHED OVER ONE END ONLY.
- 5 0.62 [.025] SQUARE POST SHOWN FOR REFERENCE ONLY.
- 6 CAVITY ACCEPTS 0.62 [.025] SQUARE POST (TYPICAL).
- 7 MARKED (WHITE) 1.5 [.06] CHARACTERS AS SHOWN IN APPROXIMATE CENTER OF HOUSING. "PULL HERE" AND "PART NO." WILL APPEAR ON HOUSINGS 6 POSITIONS AND LARGER.
- 8 AMP LOGO MOLDED IN TEXTURED AREA, AREA RAISED .0003 - .0007 HIGH AND MAY BE ON EITHER SIDE OF THE PART.



REMARKS	C	B	A	NO. OF POSITIONS	PART NUMBER
STAMPED	20.32 [.800]	8	23.27 [.916]	18	1-87133-6
UNSTAMPED	20.32 [.800]	8	23.27 [.916]	18	1-87133-5
STAMPED	17.78 [.700]	7	20.73 [.816]	16	1-87133-4
-	-	-	-	-	1-87133-3
STAMPED	12.70 [.500]	5	15.65 [.616]	12	1-87133-2
UNSTAMPED	12.70 [.500]	5	15.65 [.616]	12	1-87133-1
STAMPED	7.62 [.300]	3	10.57 [.416]	8	1-87133-0
UNSTAMPED	7.62 [.300]	3	10.57 [.416]	8	87133-9
STAMPED	5.08 [.200]	2	8.03 [.316]	6	87133-8
UNSTAMPED	5.08 [.200]	2	8.03 [.316]	6	87133-7
STAMPED	22.86 [.900]	9	25.81 [1.016]	20	87133-6
STAMPED	10.16 [.400]	4	13.11 [.516]	10	87133-5
-	-	-	-	-	87133-4
UNSTAMPED	22.86 [.900]	9	25.8 [1.016]	20	87133-3
UNSTAMPED	10.16 [.400]	4	13.11 [.516]	10	87133-2
UNSTAMPED	2.54 [.100]	1	5.49 [.216]	4	87133-1

THIS DRAWING IS A CONTROLLED DOCUMENT.		DWN R BROWN 27OCT2006	Tyco Electronics Corporation Harrisburg, PA 17105-3608		
DIMENSIONS: mm [INCHES]		CHK M MILLER 27OCT2006			
TOLERANCES UNLESS OTHERWISE SPECIFIED:		APVD M MILLER 27OCT2006	NAME HOUSING, LOCKING CLIP, .64 [.025] SQUARE POST, 2.54 [.100] CL CLOSED END		
0 PLC ± - 1 PLC ± - 2 PLC ± 0.13 [.005] 3 PLC ± - 4 PLC ± - ANGLES ± -		PRODUCT SPEC -			
MATERIAL: GLASS FILLED POLYESTER, COLOR: DARK BROWN OR BLACK		FINISH -	APPLICATION SPEC -	SIZE: A3 CAGE CODE: 00779 DRAWING NO: C-87133 RESTRICTED TO: -	
CUSTOMER DRAWING			WEIGHT -	SCALE: 3:1	SHEET: 1 OF 1