

87224-3 Product Details



87224-3

TE Internal Number: 87224-3



.100 inch AMPMODU Headers



Product Highlights:

- Connector
- Header Type = Standard
- 3 Positions
- Mating Post Length = 8.08 mm
- Row-to-Row Spacing = 2.54 mm

Documentation & Additional Information

Product Drawings:

- [HEADER ASS'Y MOD II, .025 SQ POST, SINGLE ROW, 100 C...](#) (PDF, English)

Catalog Pages/Data Sheets:

- [AMPMODU_INTERCONNECTION_SYSTEM_SECTIONS5](#) (PDF, English)

Product Specifications:

- None Available

Application Specifications:

- None Available

Instruction Sheets:

- None Available

CAD Files: (CAD Format & Compression Information)

- [2D Drawing](#) (DXF, Version L)
- [3D Model](#) (IGES, Version L)
- [3D Model](#) (STEP, Version L)

Additional Information:

- [Product Line Information](#)

Related Products:

- [Tooling](#)

Product Features (Please use the Product Drawing for all design activity)

Product Type Features:

- Product Type = Connector
- [Mount Angle](#) = Vertical
- [PCB Mount Retention](#) = Without
- [Surface Mount Compatible](#) = No
- [Board Standoff](#) = Without
- [Mating Connector Lock](#) = Without
- Post Size (mm [in]) = 0.64 [.025]

Mechanical Attachment:

- [Mounting Ears](#) = Without
- [Panel Mount Retention](#) = Without

Termination Features:

- [Termination Post Length](#) (mm [in]) = 3.18 [0.125]
- Solder Tail Contact Plating = Gold Flash over Nickel

Dimensions:

- Mating Post Length (mm [in]) = 8.08 [0.318]

Body Features:

- Header Type = Standard
- Row-to-Row Spacing (mm [in]) = 2.54 [0.100]
- [Selectively Loaded](#) = No
- [Mount Type](#) = Printed Circuit Board

Contact Features:

- [Contact Plating, Mating Area, Material](#) = Gold (15)
- Contact Shape = Square
- Contact Base Material = Copper Alloy

Housing Features:

- Housing Material = Thermoplastic - GF
- UL Flammability Rating = UL 94V-0

Configuration Features:

- [Number of Positions](#) = 3
- [Number of Rows](#) = 1

Industry Standards:

- [RoHS/ELV Compliance](#) = RoHS compliant, ELV compliant
- [Lead Free Solder Processes](#) = Wave solder capable to 240°C
- [RoHS/ELV Compliance History](#) = Always was RoHS compliant

Conditions for Usage:

- [High Temperature Housing](#) = No

Operation/Application:

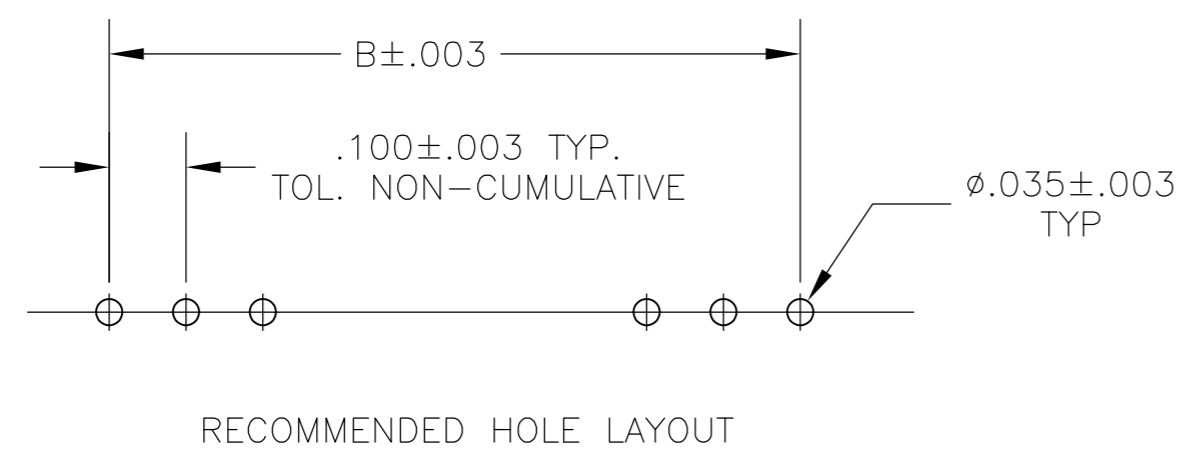
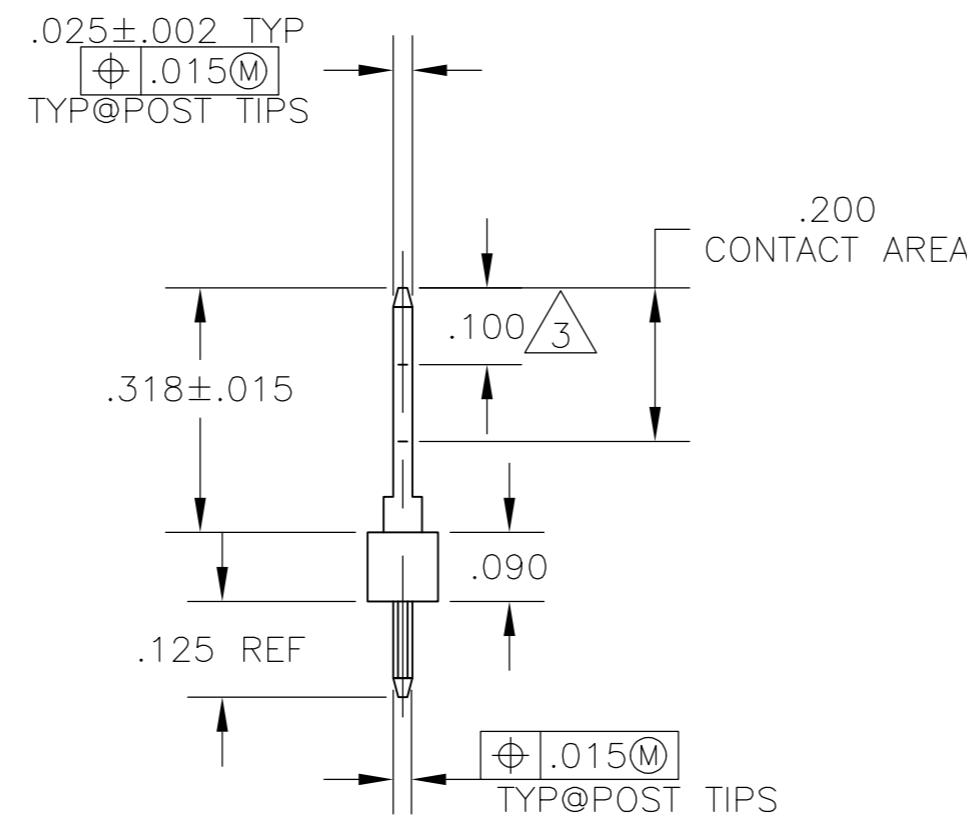
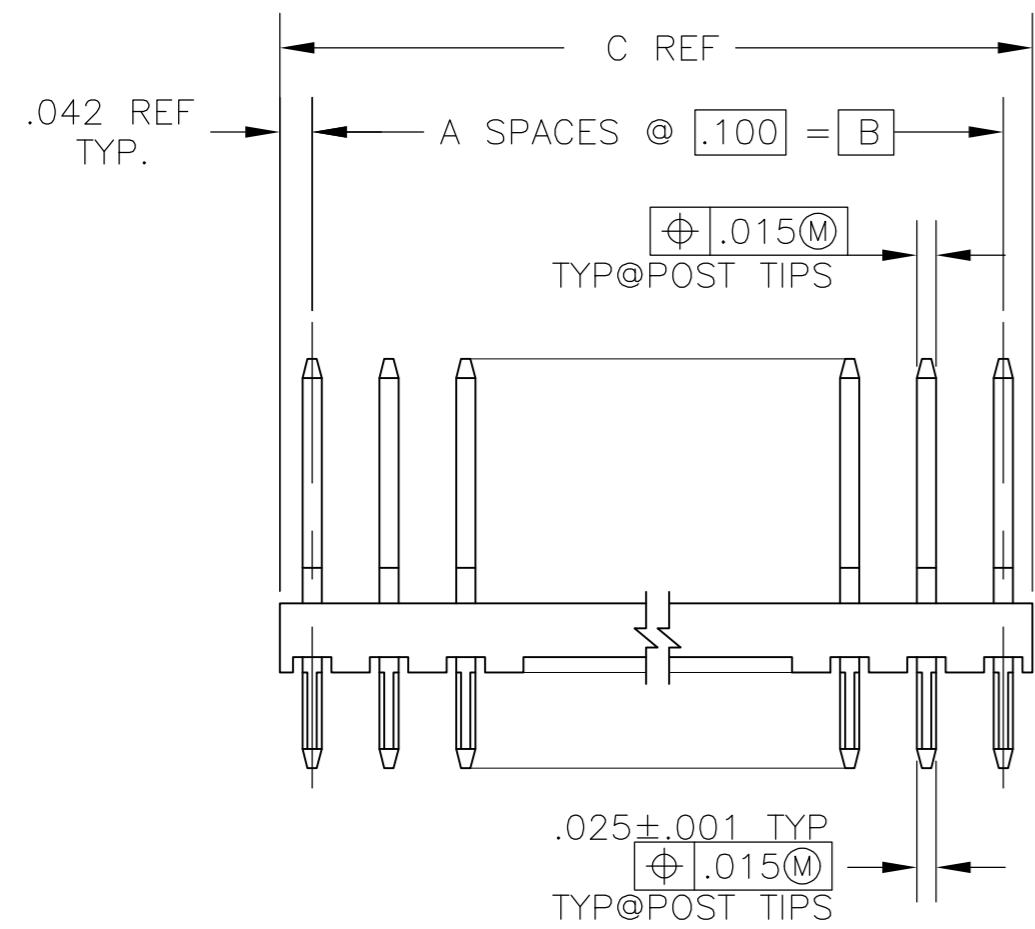
- [High Speed Serial Data Connector](#) = No

Other:

- Brand = AMP

THIS DRAWING IS UNPUBLISHED. RELEASED FOR PUBLICATION
 © COPYRIGHT - By - ALL RIGHTS RESERVED.

LOC		DIST		REVISIONS					
AD		39		P	LTR	DESCRIPTION	DATE	DWN	APVD
				L2		REVISED PER ECO-11-004587	11MAR11	RK	HMR



- 1 TRUE POSITION TOLERANCE OF POST TIPS APPLIES WHEN HEADERS ARE HELD FLAT AGAINST PC BOARD.
- 2 .000015 GOLD IN CONTACT AREA, GOLD FLASH ON SOLDER AREA, ALL OVER .000050 NICKEL.
- 3 POINT OF MEASUREMENT FOR PLATING THICKNESS.
- 4 PARTS PACKAGED IN SINGLE TUBES.
- 5 HOUSING: FLAME RETARDANT THERMOPLASTIC, COLOR-BLACK POST: PHOS.BRONZE.
- 6 OBSOLETE PARTS: OBSOLETE CIS STREAMLINING PER D.RENAUD/D.SINISI

6	4	OBSOLETE	.284	.200	2	3	4-87224-3
			3.984	3.900	39	40	4-87224-0
6	OBSOLETE		3.884	3.800	38	39	3-87224-9
			3.784	3.700	37	38	3-87224-8
			3.684	3.600	36	37	3-87224-7
			3.584	3.500	35	36	3-87224-6
			3.484	3.400	34	35	3-87224-5
			3.384	3.300	33	34	3-87224-4
			3.284	3.200	32	33	3-87224-3
			3.184	3.100	31	32	3-87224-2
			3.084	3.000	30	31	3-87224-1
			2.984	2.900	29	30	3-87224-0
			2.884	2.800	28	29	2-87224-9
			2.784	2.700	27	28	2-87224-8
			2.684	2.600	26	27	2-87224-7
			2.584	2.500	25	26	2-87224-6
			2.484	2.400	24	25	2-87224-5
			2.384	2.300	23	24	2-87224-4
			2.284	2.200	22	23	2-87224-3
			2.184	2.100	21	22	2-87224-2
	2.084	2.000	20	21	2-87224-1		
	1.984	1.900	19	20	2-87224-0		
6	OBSOLETE		1.884	1.800	18	19	1-87224-9
			1.784	1.700	17	18	1-87224-8
			1.684	1.600	16	17	1-87224-7
			1.584	1.500	15	16	1-87224-6
6	OBSOLETE		1.484	1.400	14	15	1-87224-5
			1.384	1.300	13	14	1-87224-4
			1.284	1.200	12	13	1-87224-3
			1.184	1.100	11	12	1-87224-2
			1.084	1.000	10	11	1-87224-1
			.984	.900	9	10	1-87224-0
			.884	.800	8	9	87224-9
			.784	.700	7	8	87224-8
			.684	.600	6	7	87224-7
			.584	.500	5	6	87224-6
	.484	.400	4	5	87224-5		
	.384	.300	3	4	87224-4		
	.284	.200	2	3	87224-3		
	.184	.100	1	2	87224-2		
	.084	-	-	1	87224-1		
	C	B	A	NO OF POS	PART NO		

THIS DRAWING IS A CONTROLLED DOCUMENT.

DWN RAGHAVENDRA 24FEB09
 CHK GESFORD JEFFREY 24FEB09
 APVD GESFORD JEFFREY 24FEB09

TE Connectivity

NAME: HEADER ASS'Y MOD II, .025 SQ POST, SINGLE ROW, 100 C/L, STACKABLE

SIZE: A2 CAGE CODE: 00779 DRAWING NO: 87224 RESTRICTED TO: -

MATERIAL: 5 FINISH: 2

WEIGHT: - SCALE: 4:1 SHEET: 1 of 1 REV: L2

CUSTOMER DRAWING