

182-0023 TO 182-2585  
 183-3200 TO 182-3250  
**AMP**

**Mod. IV Wire-Applied Housings  
 Single Row, .100 Centers**

Specifications subject to change.  
 For latest design specifications...  
 1-800-522-6752

Dimensioning:  
 Dimensions are in inches

**Non-Polarized  
 (with and  
 without Strain  
 Relief/Pull Tab)**

**Material:**

Black thermoplastic,  
 flame retardant

**Related Product Data:**

Contacts - pages 3159 - 3161

**Mateable Headers and Posts:**

Refer to the Mating Post Selection  
 Guide - page 3142

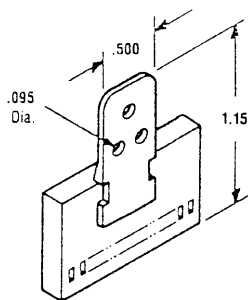
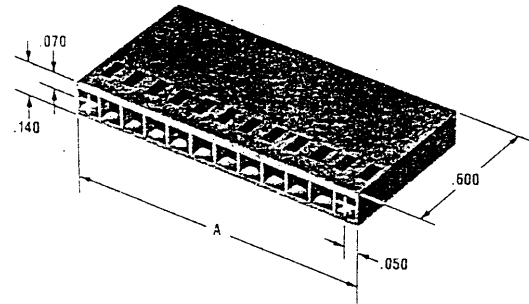
Unshrouded Headers,  
 Breakaway and Retention,  
 Single Row, Straight or Right-  
 Angle Posts - pages 3180 - 3183,  
 3188, 3189, 3192 & 3193

Shrouded Headers, Single Row,  
 Straight or Right-Angle Posts -  
 pages 3198 & 3199

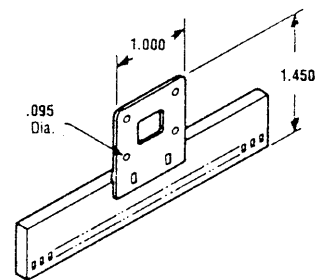
Technical Documents -  
 page 3223



Printed Circuit Board Connectors



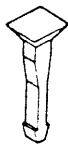
Housing with  
 Strain Relief/Pull Tab  
 Strain Relief Part No. 87921-1  
 (5 thru 9 positions)



Housing with  
 Strain Relief/Pull Tab  
 Strain Relief Part No. 87975-1  
 (10 position and larger)

**Keying Plugs**

Material: Natural color nylon



Part No. 86286-1  
 (Plugs into  
 receptacle contact)



Part No. 87077-2  
 (Plugs directly  
 into housing)

No. of Pos.	A Dim.	Part Numbers			
		without Strain Relief		with Strain Relief	
		Stamped*	Unstamped**	Stamped*	Unstamped
1	.105	7-87499-1	7-87499-2	—	—
2	.205	87499-3	87499-4	—	—
3	.305	87499-5	87499-6	—	—
4	.405	87499-7	87499-8	—	—
5	.505	87499-9	1-87499-0	—	—
6	.605	1-87499-1	1-87499-2	—	—
7	.705	87499-1	87499-2	—	—
8	.805	1-87499-3	1-87499-4	87339-8	87339-
9	.905	1-87499-5	1-87499-6	1-87339-0	—
10	1.005	1-87499-7	1-87499-8	—	—
11	1.105	1-87499-9	2-87499-0	—	—
12	1.205	2-87499-1	2-87499-2	—	—
13	1.305	2-87499-3	2-87499-4	—	—
14	1.405	2-87499-5	2-87499-6	2-87339-0	—
15	1.505	2-87499-7	2-87499-8	—	—
16	1.605	2-87499-9	3-87499-0	—	—
17	1.705	3-87499-1	3-87499-2	—	—
18	1.805	3-87499-3	3-87499-4	—	—
19	1.905	3-87499-5	3-87499-6	—	—
20	2.005	3-87499-7	3-87499-8	—	—
21	2.105	3-87499-9	4-87499-0	—	—
22	2.205	4-87499-1	4-87499-2	—	—
25	2.505	4-87499-7	4-87499-8	—	—
26	2.605	—	5-87499-0	—	—
30	3.005	—	5-87499-8	—	—
36	3.605	6-87499-9	7-87499-0	—	—

\*Cavity identification, AMP, part number and date code stamped on housing and/or strain relief where size permits.  
 \*\*No marking on housing or strain relief.

- Notes: 1. The Strain Relief/Pull Tab can be bonded to any thermoplastic connector housing.  
 2. Strain reliefs may be purchased separately.  
 3. Contact extraction lance reset tool—No. 843996-3.

**Mod. IV Wire-Applied Housings  
Single Row, .100 Centers**

*Specifications subject to change.  
For latest design specifications...  
1-800-522-6752*

Dimensioning:  
Dimensions are in inches

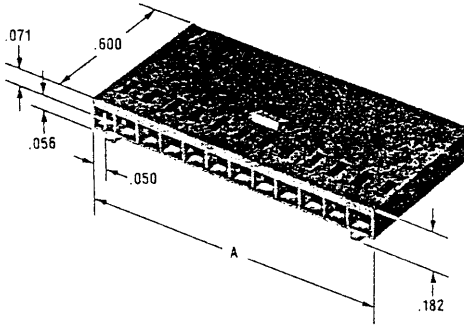
**Polarized  
(with Detent Latching)**

**Material:**

Black thermoplastic,  
flame retardant

**Related Product Data:**

- Contacts - pages 3159 - 3161
- Mateable Headers and Posts:  
Refer to the Mating Post Selection  
Guide - page 3142
- Shrouded Headers, Single Row,  
Straight or Right-Angle Posts -  
pages 3198 & 3199
- Flexible Film Connectors,  
Single Row Pin Assemblies -  
Catalog 82007
- Technical Documents -  
page 3223

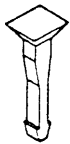


No. of Pos.	A Dim.	Part Numbers Unstamped*
3	.300	102241-1
4	.400	102241-2
5	.500	102241-3
6	.600	102241-4
7	.700	102241-5
8	.800	102241-6
9	.900	102241-7
10	1.000	102241-8
11	1.100	102241-9
12	1.200	1-102241-0
13	1.300	1-102241-1
14	1.400	1-102241-2
15	1.500	1-102241-3
16	1.600	1-102241-4
18	1.800	1-102241-6
20	2.000	1-102241-8
22	2.200	2-102241-0
28	2.800	2-102241-6
30	3.000	2-102241-8
36	3.600	3-102241-4

\*No marking on housing.  
**Note:** Contact extraction/lance reset tool—No. 843996-3.

**Keying Plugs**

Material: Natural color nylon



**Part No. 86286-1**  
(Plugs into  
receptacle contact)



**Part No. 87077-2**  
(Plugs directly  
into housing)



Printed Circuit Board Connectors

## IV Wire-Applied Housings 16 Row, .100 x .100 Centers

Specifications subject to change.  
For latest design specifications...  
1-800-522-6752

Dimensioning:  
Dimensions are in inches

Standard (with  
Latch, and without  
Strain Relief/Pull Tab)

Material:  
Thermoplastic,  
Flame Retardant

### Product Data:

Specifications - pages 3159 - 3161

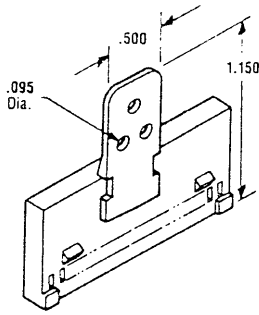
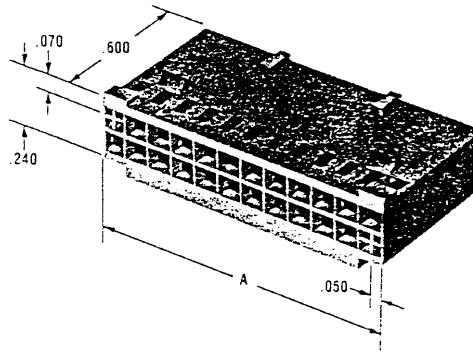
### Headers and Posts:

See the Mating Post Selection  
page 3142

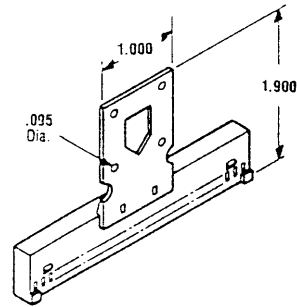
Standard Headers, Double Row,

90 Degree or Right-Angle Posts -  
Part No. 3211

Technical Documents -  
Page 23



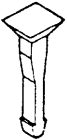
Housing with  
Strain Relief/Pull Tab  
Strain Relief Part No. 87921-1  
(10 thru 18 positions)



Housing with  
Strain Relief/Pull Tab  
Strain Relief Part No. 87710-1  
(20 positions and larger)

### Plugs

Material: Natural color nylon



Part No. 86286-1  
(Plugs into  
receptacle contact)



Part No. 87077-2  
(Plugs directly  
into housing)

No. of Pos.	Dimensions		No. of Detents	Part Numbers		
	A	B		Without Strain Relief		With Strain Relief Stamped*
				Stamped*	Unstamped**	
6	.200	.300	1	87631-2	87631-1	—
8	.300	.400	1	87631-4	87631-3	—
10	.400	.500	1	87631-6	87631-5	87922-1
12	.500	.600	1	87631-8	87631-7	87922-2
14	.600	.700	1	1-87631-0	87631-9	87922-3
16	.700	.800	1	1-87631-2	1-87631-1	87922-4
18	.800	.900	1	1-87631-4	1-87631-3	87922-5
20	.900	1.000	2	1-87631-6	1-87631-5	87733-1
22	1.000	1.100	2	1-87631-8	1-87631-7	—
24	1.100	1.200	2	2-87631-0	1-87631-9	87733-3
26	1.200	1.300	2	2-87631-2	2-87631-1	87733-4
28	1.300	1.400	2	2-87631-4	2-87631-3	—
30	1.400	1.500	2	2-87631-6	2-87631-5	87733-6
32	1.500	1.600	2	2-87631-8	2-87631-7	87733-7
34	1.600	1.700	2	3-87631-0	2-87631-9	87733-8
36	1.700	1.800	2	3-87631-2	3-87631-1	87733-9
38	1.800	1.900	2	3-87631-4	3-87631-3	—
40	1.900	2.000	2	3-87631-6	3-87631-5	1-87733-1
42	2.000	2.100	2	3-87631-8	3-87631-7	—
44	2.100	2.200	2	4-87631-0	3-87631-9	—
50	2.400	2.500	2	4-87631-2	4-87631-1	1-87733-4
52	2.500	2.600	2	4-87631-4	4-87631-3	—
54	2.600	2.700	2	4-87631-6	4-87631-5	—
56	2.700	2.800	2	6-87631-2	6-87631-1	—
60	2.900	3.000	2	5-87631-2	5-87631-1	1-87733-7
64	3.100	3.200	2	6-87631-6	6-87631-5	—
72	3.500	3.600	2	5-87631-8	5-87631-7	—

\*Cavity identification, AMP, part number and date code stamped on housing and/or strain relief where size permits.  
\*\*No marking on housing or strain relief.

- Notes:
- The Strain Relief/Pull Tab can be bonded to any thermoplastic connector housing.
  - Strain reliefs may be purchased separately.
  - Contact extraction/lance reset tool—No. 843996-3.



Printed Circuit Board Connectors

## Mod. IV Wire-Applied Housings Double Row, .100 x .100 Centers

Specifications subject to change.  
For latest design specifications...  
1-800-522-6752

Dimensioning:  
Dimensions are in inches

### Non-Polarized (with and without Strain Relief/Pull Tab)

#### Material:

Black thermoplastic,  
flame retardant

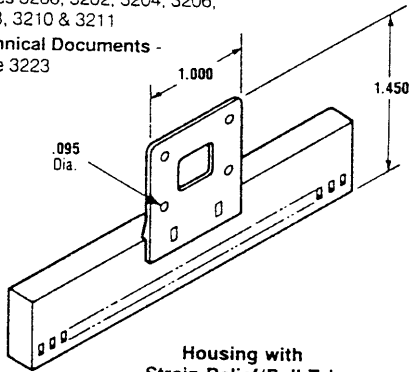
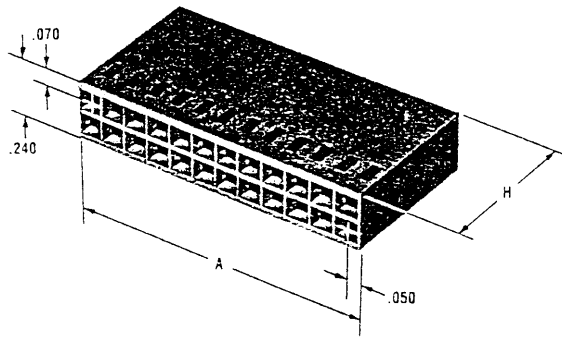
#### Related Product Data:

Contacts - pages 3159 - 3161  
Mateable Headers and Posts:  
Refer to the Mating Post Selection  
Guide - page 3142

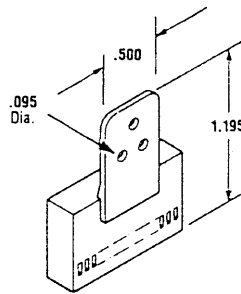
Unshrouded Headers,  
Breakaway and Retention,  
Double Row, Straight or Right-  
Angle Posts - pages 3184 - 3187,  
3190, 3191, 3194 & 3195

Shrouded Headers, Double Row,  
Straight or Right - Angle Posts -  
pages 3200, 3202, 3204, 3206,  
3208, 3210 & 3211

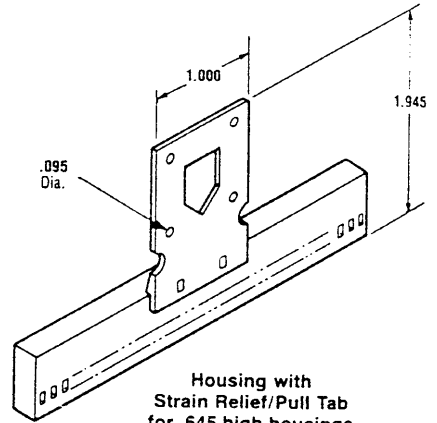
Technical Documents -  
page 3223



Housing with  
Strain Relief/Pull Tab  
for .600 high housings  
Strain Relief Part No. 87975-1  
(20 position and larger)



Housing with  
Strain Relief/Pull Tab  
for .645 high housings  
Strain Relief Part No. 87921-1  
(10 thru 18 positions)

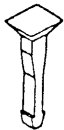


Housing with  
Strain Relief/Pull Tab  
for .645 high housings  
Strain Relief Part No. 87710-1  
(20 position and larger)

Printed Circuit Board Connectors

### Keying Plugs

Material: Natural color nylon



Part No. 86286-1  
(Plugs into  
receptacle contact)



Part No. 87077-1  
(for .645 high housings)  
Part No. 87077-2  
(for .600 high housings)  
(Plugs directly  
into housing)

No. of Pos.	A. Dim.	Part Numbers					
		H = .600		H = .645			
		without Strain Relief Stamped*	without Strain Relief Unstamped**	with Strain Relief Stamped*	with Strain Relief Unstamped**	without Strain Relief Stamped*	with Strain Relief Stamped
2	.100	—	5-87456-3	—	—	—	—
4	.200	5-87456-0	4-87456-9	—	—	—	—
6	.300	87456-2	87456-1	—	—	1-86148-8	—
8	.400	87456-4	87456-3	—	—	2-86148-0	—
10	.500	87456-6	87456-5	—	—	1-86148-2	2-87835-0
12	.600	87456-8	87456-7	—	—	1-86148-3	2-87835-1
14	.700	1-87456-0	87456-9	—	—	1-86148-4	2-87835-2
16	.800	1-87456-2	1-87456-1	—	—	1-86148-5	2-87835-3
18	.900	1-87456-4	1-87456-3	—	—	1-86148-6	—
20	1.000	1-87456-6	1-87456-5	—	87832-3	86148-1	—
24	1.200	2-87456-0	1-87456-9	2-87832-5	—	86148-3	—
26	1.300	2-87456-2	2-87456-1	2-87832-1	87832-1	86148-4	—
28	1.400	2-87456-4	2-87456-3	—	—	86148-5	—
30	1.500	2-87456-6	2-87456-5	—	—	—	—
34	1.700	3-87456-0	2-87456-9	2-87832-9	—	86148-8	1-87835-1
38	1.900	3-87456-4	3-87456-3	—	—	—	—
40	2.000	3-87456-6	3-87456-5	2-87832-2	87832-2	1-86148-1	1-87835-4
50	2.500	4-87456-0	3-87456-9	3-87832-4	—	2-86148-1	87835-2
60	3.000	5-87456-2	5-87456-1	—	1-87832-7	—	—

\*Cavity identification, AMP, part number and date code stamped on housing and/or strain relief where size permits.  
\*\*No marking on housing or strain relief.

- Notes: 1. The Strain Relief/Pull Tab can be bonded to any thermoplastic connector housing.  
2. Strain reliefs may be purchased separately.  
3. Contact extraction/lance reset tool—No. 843996-3.

## IV Wire-Applied Housings Single Row, .100 x .100 Centers

Specifications subject to change.  
For latest design specifications...  
1-800-522-6752

Dimensioning:  
Dimensions are in inches

### Polarized Mounting Ears)

Material:  
Thermoplastic,  
Flame Retardant

Product Data:  
See pages 3159 - 3161  
See Headers and Posts:  
See the Mating Post Selection  
page 3142  
See Related Documents -  
3123

### Inserting Plugs

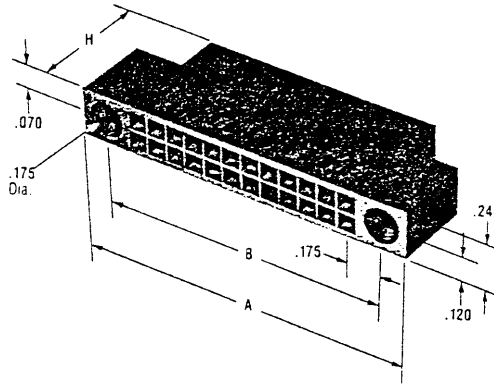
Material: Natural color nylon



Part No. 86286-1  
(Plugs into  
receptacle contact)



Part No. 87077-1  
(.645 high housings)  
Part No. 87077-2  
(.600 high housings)  
(Plugs directly  
into housing)



No. of Pos.	Dimensions		Part Numbers			
	A	B	H = .600		H = .645	
			Stamped*	Unstamped**	Stamped*	Unstamped**
10	1.000	.750	2-87483-0	1-87483-9	2-86256-5	2-86264-5
12	1.100	.850	2-87483-2	2-87483-1	—	—
14	1.200	.950	—	2-87483-3	—	—
16	1.300	1.050	87483-2	87483-1	2-86256-2	2-86264-2
18	1.400	1.150	—	2-87483-5	—	—
20	1.500	1.250	87483-4	87483-3	2-86256-0	2-86264-0
24	1.700	1.450	3-87483-0	2-87483-0	—	—
26	1.800	1.550	87483-6	87483-5	1-86256-7	1-86264-7
32	2.100	1.850	—	87483-7	1-86256-4	1-86264-4
34	2.200	1.950	3-87483-6	3-87483-5	—	—
36	2.300	2.050	3-87483-8	3-87483-7	—	—
40	2.500	2.250	1-87483-0	87483-9	1-86256-0	1-86264-0
50	3.000	2.750	—	4-87483-7	—	—

\*Cavity identification, AMP, part number and date code stamped on housing and/or strain relief where size permits.  
\*\*No marking on housing or strain relief.

- Notes:
1. The Strain Relief/Pull Tab can be bonded to any thermoplastic connector housing.
  2. Mounting hardware is customer supplied.
  3. Contact extraction/lance reset tool—No. 843996-3.

Printed Circuit Board Connectors

**Mod. IV Wire-Applied Housings  
Double Row, .100 x .100 Centers**

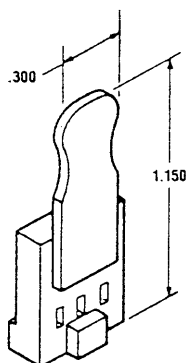
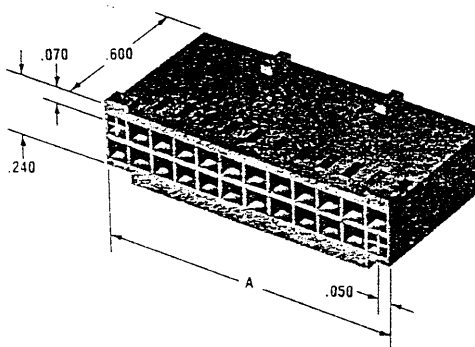
*Specifications subject to change.*  
For latest design specifications...  
1-800-522-6752

Dimensioning:  
Dimensions are in inches

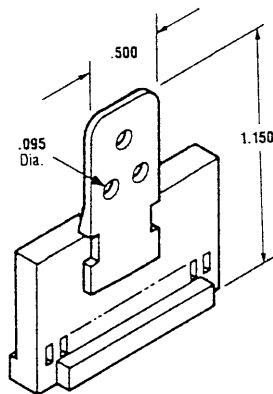
**Polarized  
(with and  
without Strain  
Relief/Pull Tab)**

**Material:**  
Black thermoplastic,  
flame retardant

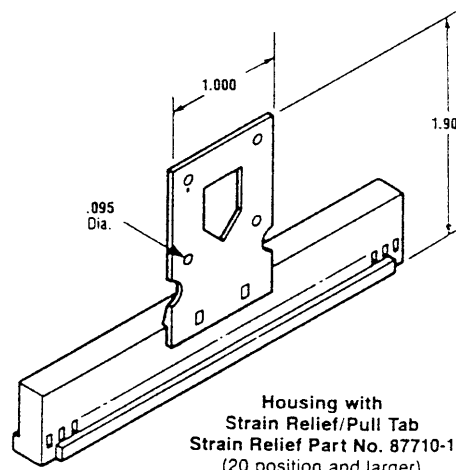
**Related Product Data:**  
Contacts - pages 3159 - 3161  
Mateable Headers and Posts:  
Refer to the Mating Post Selection  
Guide - page 3142  
Shrouded Headers, Double Row,  
Straight or Right-Angle Posts -  
pages 3200 - 3211  
Technical Documents -  
page 3223



**Housing with  
Strain Relief/Pull Tab  
Strain Relief Part No. 102158-1  
(6 and 8 positions)**



**Housing with  
Strain Relief/Pull Tab  
Strain Relief Part No. 87921-1  
(10 thru 18 positions)**

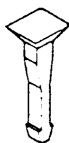


**Housing with  
Strain Relief/Pull Tab  
Strain Relief Part No. 87710-1  
(20 position and larger)**

Printed Circuit Board Connectors

**Keying Plugs**

Material: Natural color nylon



**Part No. 86286-1  
(Plugs into  
receptacle contact)**



**Part No. 87077-2  
(Plugs directly  
into housing)**

No. of Pos.	A Dim.	Part Numbers			
		Without Strain Relief		With Strain Relief	
		Stamped*	Unstamped**	Stamped*	Unstamped**
6	.300	87977-1	2-87977-8	—	2-102184-8
8	.400	87977-2	2-87977-9	—	2-102184-9
10	.500	87977-3	3-87977-0	—	3-102184-0
12	.600	87977-4	3-87977-1	102184-4	—
14	.700	87977-5	3-87977-2	—	—
16	.800	87977-6	3-87977-3	—	—
18	.900	—	3-87977-4	102184-7	—
20	1.000	87977-8	3-87977-5	102184-8	—
24	1.200	1-87977-0	3-87977-7	—	—
26	1.300	1-87977-1	3-87977-8	—	—
28	1.400	—	3-87977-9	—	—
34	1.700	—	4-87977-2	—	—
40	2.000	—	4-87977-5	—	—
50	2.500	2-87977-1	4-87977-8	—	—
60	3.000	2-87977-4	5-87977-1	—	5-102184-1

\*Cavity identification, AMP, part number and date code stamped on housing and/or strain relief where size permits.  
\*\*No marking on housing or strain relief.

- Notes:** 1. The Strain Relief/Pull Tab can be bonded to any thermoplastic connector housing.  
2. Strain reliefs may be purchased separately.  
3. Contact extraction/lance reset tool—No. 843996-3.

## IV Wire-Applied Housings Single Row, .100 x .100 Centers

Specifications subject to change.  
For latest design specifications...  
1-800-522-6752

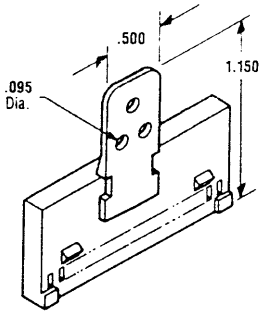
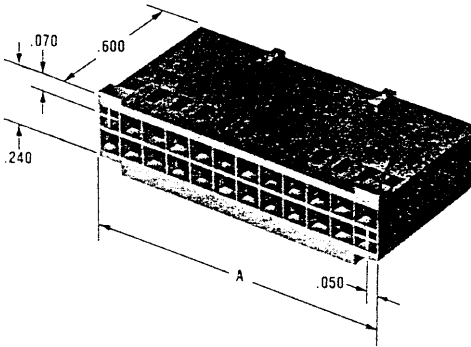
Dimensioning:  
Dimensions are in inches

Standard (with  
and without  
Strain Relief/Pull Tab)

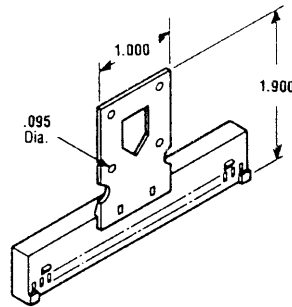
Material:  
Thermoplastic,  
Flame Retardant

### Product Data:

See pages 3159 - 3161  
See Headers and Posts:  
See the Mating Post Selection  
page 3142  
See Headers, Double Row,  
and Right-Angle Posts -  
page 200 - 3211  
See Catalog Documents -  
page 23



Housing with  
Strain Relief/Pull Tab  
Strain Relief Part No. 87921-1  
(10 thru 18 positions)



Housing with  
Strain Relief/Pull Tab  
Strain Relief Part No. 87710-1  
(20 positions and larger)

### Plugs

Material: Natural color nylon



Part No. 86286-1  
(Plugs into  
receptacle contact)



Part No. 87077-2  
(Plugs directly  
into housing)

No. of Pos.	Dimensions		No. of Detents	Part Numbers		
	A	B		Without Strain Relief		With Strain Relief
				Stamped*	Unstamped**	Stamped*
6	.200	.300	1	87631-2	87631-1	—
8	.300	.400	1	87631-4	87631-3	—
10	.400	.500	1	87631-6	87631-5	87922-1
12	.500	.600	1	87631-8	87631-7	87922-2
14	.600	.700	1	1-87631-0	87631-9	87922-3
16	.700	.800	1	1-87631-2	1-87631-1	87922-4
18	.800	.900	1	1-87631-4	1-87631-3	87922-5
20	.900	1.000	2	1-87631-6	1-87631-5	87733-1
22	1.000	1.100	2	1-87631-8	1-87631-7	—
24	1.100	1.200	2	2-87631-0	1-87631-9	87733-3
26	1.200	1.300	2	2-87631-2	2-87631-1	87733-4
28	1.300	1.400	2	2-87631-4	2-87631-3	—
30	1.400	1.500	2	2-87631-6	2-87631-5	87733-6
32	1.500	1.600	2	2-87631-8	2-87631-7	87733-7
34	1.600	1.700	2	3-87631-0	2-87631-9	87733-8
36	1.700	1.800	2	3-87631-2	3-87631-1	87733-9
38	1.800	1.900	2	3-87631-4	3-87631-3	—
40	1.900	2.000	2	3-87631-6	3-87631-5	1-87733-1
42	2.000	2.100	2	3-87631-8	3-87631-7	—
44	2.100	2.200	2	4-87631-0	3-87631-9	—
50	2.400	2.500	2	4-87631-2	4-87631-1	1-87733-4
52	2.500	2.600	2	4-87631-4	4-87631-3	—
54	2.600	2.700	2	4-87631-6	4-87631-5	—
56	2.700	2.800	2	6-87631-2	6-87631-1	—
60	2.900	3.000	2	5-87631-2	5-87631-1	1-87733-7
64	3.100	3.200	2	6-87631-6	6-87631-5	—
72	3.500	3.600	2	5-87631-8	5-87631-7	—

\*Cavity identification, AMP, part number and date code stamped on housing and/or strain relief where size permits.  
\*\*No marking on housing or strain relief.

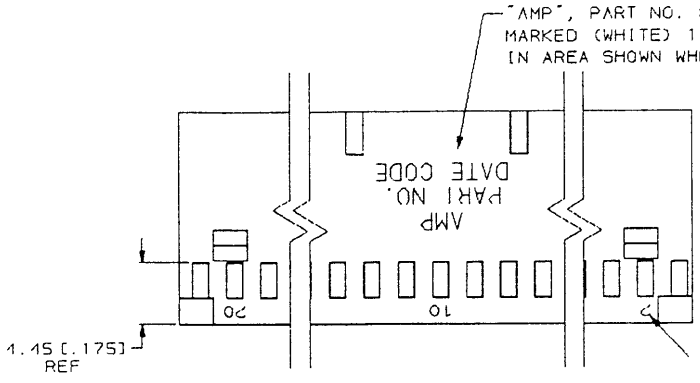
- Notes:
- The Strain Relief/Pull Tab can be bonded to any thermoplastic connector housing.
  - Strain reliefs may be purchased separately.
  - Contact extraction/lance reset tool—No. 843996-3.



Printed Circuit Board Connectors

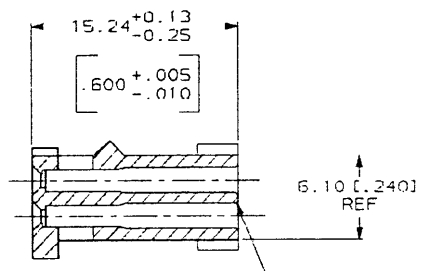
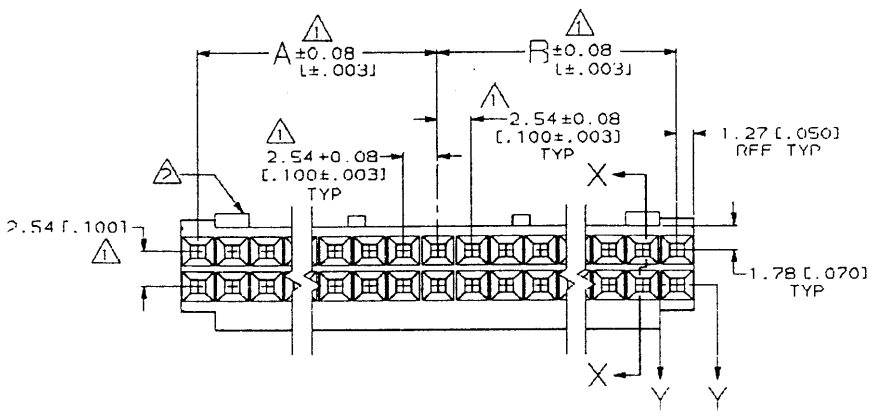
8	7	6	5	4
---	---	---	---	---

THIS DRAWING IS UNCLASSIFIED  
 RELEASED UNDER EXECUTIVE ORDER 11652  
 ALL RIGHTS RESERVED



"AMP", PART NO. & DATE CODE  
 MARKED (WHITE) 1.58±0.38 [0.062±0.015] HIGH CHARS.  
 [IN AREA SHOWN WHEN HOUSING SIZE PERMITS]

CAVITY IDENT. MARKED (WHITE)  
 1.17±0.38 [0.046±0.015] HIGH CHARS. SECOND AND  
 EVERY FIFTH CAVITY, ONE SIDE.



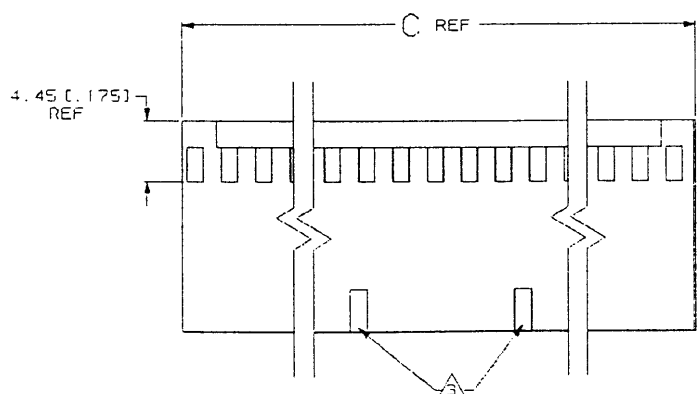
SECTION X-X

SECTION Y-Y

ROTATED 90° CLOCKWISE

SUPERSEDE

SUPERSEDE



- 1 CAVITY LOCATION DIMENSIONS INCREASE IN INCREMENTS OF 2.54 [0.100] TOLERANCE ARE NON-CUMULATIVE.
- 2 SEE TABLE FOR NUMBER OF DETENTS. DETENT ON THIS SIDE FOR HOUSINGS WITH ONE DETENT.
- 3 STRAIN RELIEF LOCATORS WILL APPEAR ON 20 POSITION AND LARGER HOUSINGS.
- 4. USE EXTRACTION TOOL 91052-1 TO REMOVE RECEPTACLE CONTACTS.
- 5. THESE HOUSINGS ARE COMPATIBLE WITH ANY MOD 1) SHROUDED HEADER.
- 6. HOUSINGS WILL ACCOMMODATE #20-24 AWG WIRE, 1.75 [0.069] MAX. INSULATION DIA. OR #26-30 AWG WIRE, 1.17 [0.046] MAX. INSULATION DIA.
- 7 MATERIAL: FLAME RETARDANT GLASS FILLED NYLON, COLOR: BLACK.



3 2 1

REV	DATE	REVISIONS	
		DESCRIPTION	DATE
I	11-94	REV PER 0010-1331-94	EB SS
M	4-95	REV PER 0010-0505-95	EB SS
N	6-2-96	REV PER 0010-0652-96	FA SS
P	02JAN98	REV PER 0310-0486-97	BH BS

MARKING	NO. OF DETENTS	C	B	A	NO. OF POSN	PART NUMBER
ORSOI FTF	ALL	2	81.28 [3.200]	38.10 [1.500]	10.64 [1.600]	64 6-87631-6
	NONE	2	81.28 [3.200]	38.10 [1.500]	40.64 [1.600]	64 6-87631-5
INACTIVE	ALL	2	73.66 [2.900]	35.56 [1.400]	35.56 [1.400]	58 6-87631-4
	NONL	2	73.66 [2.900]	35.56 [1.400]	35.56 [1.400]	58 6-87631-3
OBSOLETE	-	-	-	-	-	6-87631-2
	-	-	-	-	-	6-87631-1
OBSOLETE	ALL	2	60.96 [2.400]	27.94 [1.100]	30.48 [1.200]	48 6-87631-0
	NONE	2	60.96 [2.400]	27.94 [1.100]	30.48 [1.200]	48 5-87631-9
OBSOLETE	ALL	2	88.90 [3.800]	43.18 [1.700]	45.72 [1.800]	72 5-87631-8
	NONE	2	88.90 [3.800]	43.18 [1.700]	45.72 [1.800]	72 5-87631-7
OBSOLETE	ALL	2	88.90 [3.500]	43.18 [1.700]	43.18 [1.700]	70 5-87631-6
	NONE	2	88.90 [3.500]	43.18 [1.700]	43.18 [1.700]	70 5-87631-5
OBSOLETE	ALL	2	83.82 [3.300]	40.64 [1.600]	40.64 [1.600]	66 5-87631-4
	NONE	2	83.82 [3.300]	40.64 [1.600]	40.64 [1.600]	66 5-87631-3
	ALL	2	76.20 [3.000]	35.56 [1.400]	38.10 [1.500]	60 5-87631-2
	NONF	2	76.20 [3.000]	35.56 [1.400]	38.10 [1.500]	60 5-87631-1
OBSOLETE	-	-	-	-	-	5-87631-0
ORSOI FTF	-	-	-	-	-	4-87631-9
OBSOLETE	-	-	-	-	-	4-87631-8
OBSOLETE	-	-	-	-	-	4-87631-7
OBSOLETE	ALL	2	68.58 [2.700]	33.02 [1.300]	33.02 [1.300]	54 4-87631-6
	NONE	2	68.58 [2.700]	33.02 [1.300]	33.02 [1.300]	54 4-87631-5
OBSOLETE	ALL	2	66.04 [2.600]	30.48 [1.200]	33.02 [1.300]	52 4-87631-4
	NONE	2	66.04 [2.600]	30.48 [1.200]	33.02 [1.300]	52 4-87631-3
	ALL	2	63.50 [2.500]	30.48 [1.200]	30.48 [1.200]	50 4-87631-2
	NONE	2	63.50 [2.500]	30.48 [1.200]	30.48 [1.200]	50 4-87631-1
BY 3-87631-9	ALL	2	55.88 [2.200]	25.40 [1.000]	27.94 [1.100]	44 4-87631-0
	NONE	2	55.88 [2.200]	25.40 [1.000]	27.94 [1.100]	44 3-87631-9
OBSOLETE	ALL	2	53.34 [2.100]	25.40 [1.000]	25.40 [1.000]	42 3-87631-8
	NONE	2	53.34 [2.100]	25.40 [1.000]	25.40 [1.000]	42 3-87631-7
	ALL	2	50.80 [2.000]	22.86 [0.900]	25.40 [1.000]	40 3-87631-6
	NONF	2	50.80 [2.000]	22.86 [0.900]	25.40 [1.000]	40 3-87631-5
OBSOLETE	ALL	2	48.26 [1.900]	22.86 [0.900]	22.86 [0.900]	38 3-87631-4
	NONE	2	48.26 [1.900]	22.86 [0.900]	22.86 [0.900]	38 3-87631-3
OBSOLETE	ALL	2	45.72 [1.800]	20.32 [0.800]	22.86 [0.900]	36 3-87631-2
	NONE	2	45.72 [1.800]	20.32 [0.800]	22.86 [0.900]	36 3-87631-1
	ALL	2	43.18 [1.700]	20.32 [0.800]	20.32 [0.800]	34 3-87631-0
	NONL	2	43.18 [1.700]	20.32 [0.800]	20.32 [0.800]	34 2-87631-9
	ALL	2	40.64 [1.600]	17.78 [0.700]	20.32 [0.800]	32 2-87631-8
	NONE	2	40.64 [1.600]	17.78 [0.700]	20.32 [0.800]	32 2-87631-7
	ALL	2	38.10 [1.500]	17.78 [0.700]	17.78 [0.700]	30 2-87631-6
	NONE	2	38.10 [1.500]	17.78 [0.700]	17.78 [0.700]	30 2-87631-5
	ALL	2	35.56 [1.400]	15.21 [0.600]	17.78 [0.700]	28 2-87631-4
	NONE	2	35.56 [1.400]	15.21 [0.600]	17.78 [0.700]	28 2-87631-3
	ALL	2	33.02 [1.300]	15.24 [0.600]	15.24 [0.600]	26 2-87631-2
	NONF	2	33.02 [1.300]	15.24 [0.600]	15.24 [0.600]	26 2-87631-1
	ALL	2	30.48 [1.200]	12.70 [0.500]	15.24 [0.600]	24 2-87631-0
	NONE	2	30.48 [1.200]	12.70 [0.500]	15.24 [0.600]	24 1-87631-9
BY 1-87631-7	ALL	2	27.94 [1.100]	12.70 [0.500]	12.70 [0.500]	22 1-87631-8
	NONF	2	27.94 [1.100]	12.70 [0.500]	12.70 [0.500]	22 1-87631-7
	ALL	2	25.40 [1.000]	10.16 [0.400]	12.70 [0.500]	20 1-87631-6
	NONE	2	25.40 [1.000]	10.16 [0.400]	12.70 [0.500]	20 1-87631-5
	ALL	1	22.86 [0.900]	10.16 [0.400]	10.16 [0.400]	18 1-87631-4
	NONE	1	22.86 [0.900]	10.16 [0.400]	10.16 [0.400]	18 1-87631-3
	ALL	1	20.32 [0.800]	7.62 [0.300]	10.16 [0.400]	16 1-87631-2
	NONF	1	20.32 [0.800]	7.62 [0.300]	10.16 [0.400]	16 1-87631-1
	ALL	1	17.78 [0.700]	7.62 [0.300]	7.62 [0.300]	14 1-87631-0
	NONE	1	17.78 [0.700]	7.62 [0.300]	7.62 [0.300]	14 87631-9
	ALL	1	15.21 [0.600]	5.08 [0.200]	7.62 [0.300]	12 87631-8
	NONE	1	15.21 [0.600]	5.08 [0.200]	7.62 [0.300]	12 87631-7
	ALL	1	12.70 [0.500]	5.08 [0.200]	5.08 [0.200]	10 87631-6
	NONF	1	12.70 [0.500]	5.08 [0.200]	5.08 [0.200]	10 87631-5
	ALL	1	10.16 [0.400]	2.54 [0.100]	5.08 [0.200]	8 87631-4
	NONE	1	10.16 [0.400]	2.54 [0.100]	5.08 [0.200]	8 87631-3
	ALL	1	7.62 [0.300]	2.54 [0.100]	2.54 [0.100]	6 87631-2
	NONF	1	7.62 [0.300]	2.54 [0.100]	2.54 [0.100]	6 87631-1

DIMENSIONS (UNLESS OTHERWISE SPECIFIED)		TOLERANCES (UNLESS OTHERWISE SPECIFIED)		DATE: 11-8-94 BY: S. SHUEY CHECKED: D. DUELER	
		MATERIAL:		PART NUMBER: C-87631	
CUSTOMER DRAWING		AMP Incorporated Harrisburg, PA 17105-3508		CONNECTOR, MOD IV, CRIMP SNAP-IN, WITH DETENT	
SCALE: 4:1		SHEET: 1 of 1		REV: P	